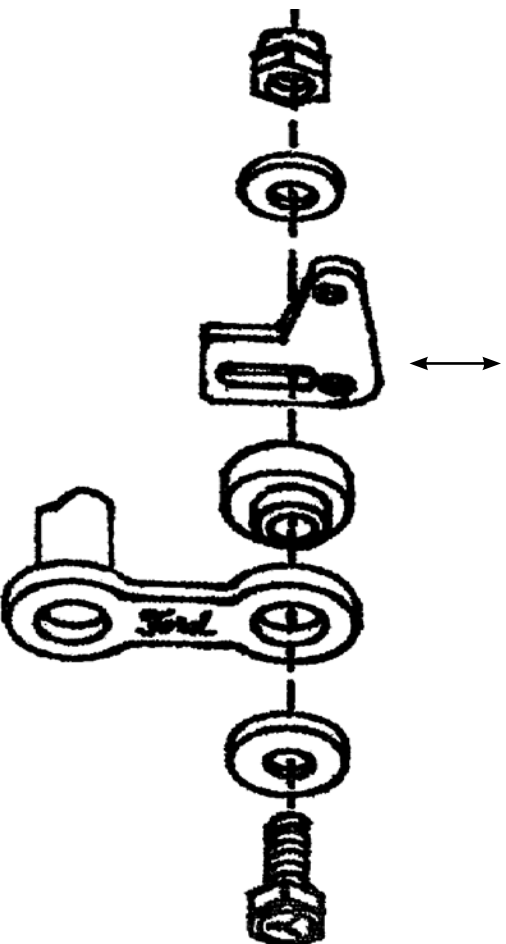


## SHIFT ARM ADJUSTMENT PLATE INSTALLATION

Adjust vertical height to achieve proper throw.



### READ THIS NOTICE

This product will be replaced if defective in manufacture or packaging. Except for such replacement, the sale or any subsequent handling of this product is without warranty or liability even though defect, damage, or loss is caused by negligence or other fault.

# GENNIE

*SHIFTER*™



[GENNIESHIFTER.COM](http://GENNIESHIFTER.COM)

INST10002



**STILL THE BEST!**

DENVER, COLORADO

[GENNIESHIFTER.COM](http://GENNIESHIFTER.COM)

INST10002