

DENVER, COLORADO  
1-866-623-1963

GENNIESHIFTER.COM

INST10029

## HOOD PROP INSTALLATION

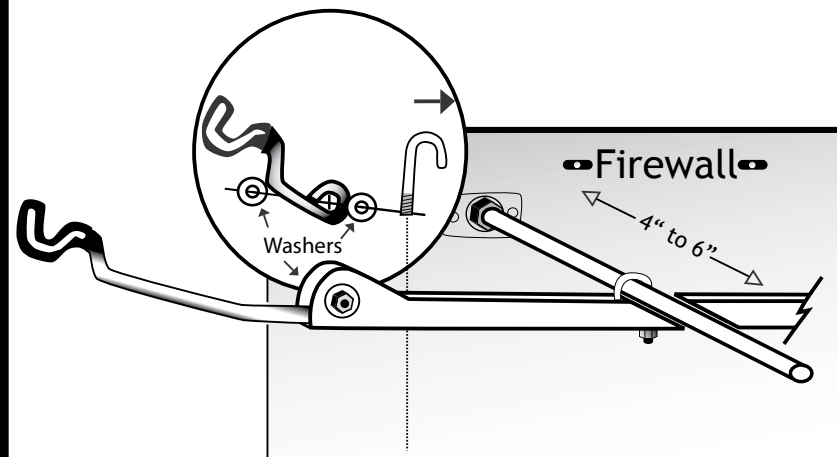


1. Clean out holes in channel for 'J' bolt with a 3/16" drill bit (Ford hood prop channel is 20 1/2" long, GM channel is 34" Long).

2. The hood prop mounts below the radiator support rods (4" to 6" from firewall on Fords, right next to firewall on GM's).

3. The Ford hood prop comes with 2 sets of arms (short set for 33-34 Fords, long set for all other years).

**Note:** Forgetting to fold the hood prop arms before closing hood is a no-no!



### READ THIS NOTICE

This product will be replaced if defective in manufacture or packaging. Except for such replacement, the sale or any subsequent handling of this product is without warranty or liability even though defect, damage, or loss is caused by negligence or other fault.