

## C-6 RM INSTALLATION

Use the C-6 RM illustration to mount shifter to upper (2) tailshaft bolts.

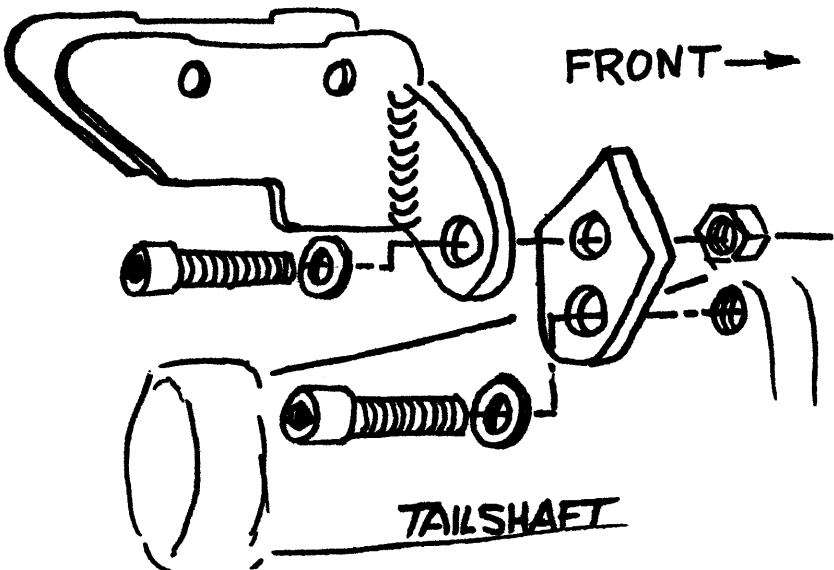
The Gennie Shifter overlay arm for the transmission shift lever is designed to work with several of the most common arms found on C-6's. Because of differences in the transmission arms that the Gennie Shifter overlay arm is designed to fit, the clamp bracket may have to be installed with the threaded ears in toward the transmission or out away from the transmission. The clamp bracket will distort when tightened. This is normal and provides a slipproof clamping action.

The spacer ring provided is placed on the shift shaft between the Gennie Shifter overlay arm and the stock C-6 transmission arm.

The small spring in the kit is a stronger detent spring which may be necessary if the shift detent feels weak after installation of the Gennie Shifter. (The C-6 transmission is the only transmission on which this is often necessary.)

The small curved arm provided is the kick down arm.

Follow the general instructions for linkage adjustment, etc.



### READ THIS NOTICE

This product will be replaced if defective in manufacture or packaging. Except for such replacement, the sale or any subsequent handling of this product is without warranty or liability even though defect, damage, or loss is caused by negligence or other fault.



# GENNIE

*SHIFTER*™



[GENNIESHIFTER.COM](http://GENNIESHIFTER.COM)

INST10033



**STILL THE BEST!**

DENVER, COLORADO

1-866-623-1963

[GENNIESHIFTER.COM](http://GENNIESHIFTER.COM)

INST10033