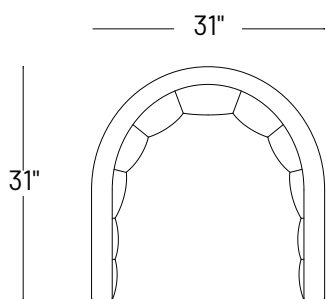


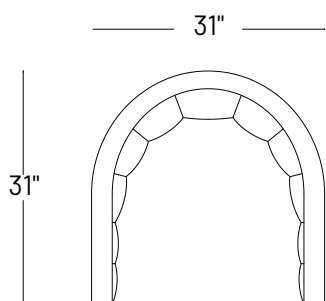
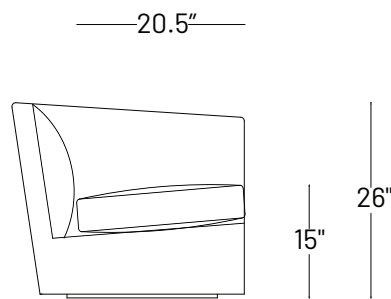
Coco Chair

A stylish addition to any room, the **Coco Chair** is an ode to modern elegance. Its exquisite craftsmanship can be seen in its intricately sculpted back and feather-filled cushioning - a combination that ensures blissful comfort with each use. Customize the **Coco** with a tapered black metal legs or swivel base/ waterfall skirt.

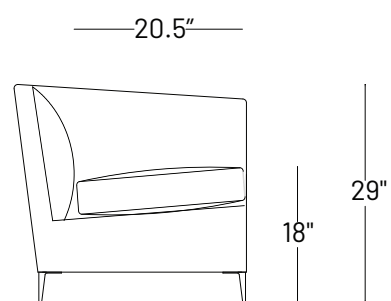
ffabb has been crafting timeless pieces of furniture for over two decades in North Vancouver. The **ffabb** collection offers an accessible, sustainable alternative to fast furniture; using low-emissions materials and abstaining from using any glues or stains harmful to the end user. Each piece is made with longevity in mind - **ffabb** strives so you might adapt them throughout your lifetime!



Coco Swivel
1029-A



Coco Chair
1029-B



Dimensions:

Seat Height: 15"

Seat Depth: 40"

Back Rest Height: 26"

Details

- Built with a solid interlocking birch frame.
- The seat and back cushions include a top-quality rebound foam, wrapped in an 20/80% poly/feather envelope.
- Heavy-duty clips secure the seat cushion to the frame.

Base Options:

- Stiletto Leg - 5" Brushed Black Metal
- Ball Leg - 4" Round Stained Birch
- Swivel - Free-standing swivel base 360°