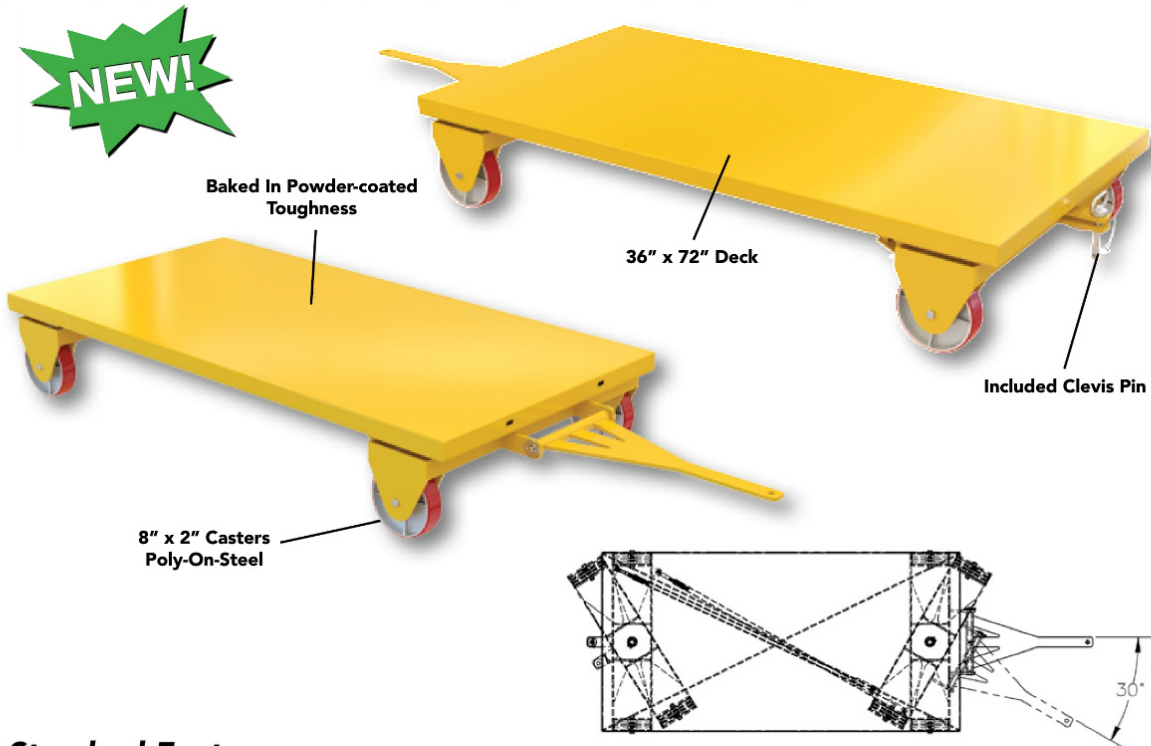


ALL WHEEL STEER TRUCK

NEW PRODUCTS • ALL WHEEL STEER TRUCK



Standard Features:

- All wheel steer trailer is engineered for towing.
- Use in industrial applications for optimal results.
- Brightly colored yellow for clear visibility.
- Rolls smoothly across a variety of surfaces featuring poly-on-steel casters.
- Included 5/8" clevis pin.
- Durable steel construction.
- Tongue neutral height is 8³/₄".
- Powder-coated finish for baked in toughness.



MODEL NUMBER	DECK SIZE (W x L)	OVERALL SIZE (L x W x H)	CAPACITY	POLY-ON-STEEL CASTERS	WEIGHT (LBS)
AWST-3672-PU	36" x 72"	101 ¹ / ₂ " x 36 ³ / ₄ " x 12 ¹ / ₄ "	3,600 lbs	(4) 8" x 2" RIGID	332

An all wheel style is the key to simple towing and maneuvering around congested areas!