

PUSH BEAM TROLLEY USA

FALL PROTECTION

Lifting365



Features

- Fall protection 400 lbs.
- Fast and easy width adjustments
- Built-in width adjustment indicator
- Universal wheel tread fits most I, S, and W-Beams
- Premium double-sealed ball bearings
- ROHS compliant zinc plated finish
- Anti-drop plates
- Glow in the dark decals
- Ships fully assembled

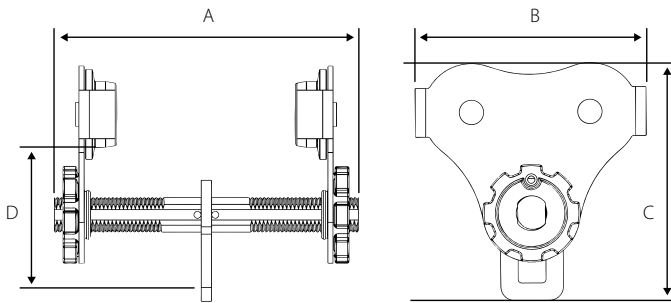


Standards:

This product meets or exceeds
 OSHA 1926 Subpart M
 OSHA 1910
 ASME Z359.1-2007
 ASME A10.32-2012
 standards for fall protection.



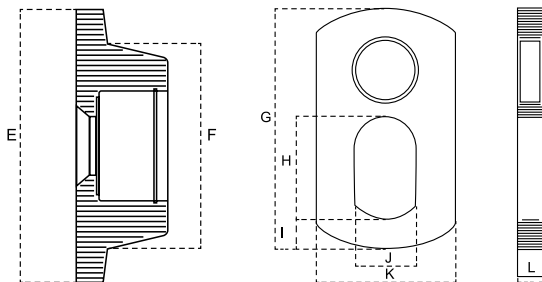
OZ1PBTA-MR



PRODUCT CODE	OZ05PBTA-MR	OZ1PBTA-MR
Capacity (tons)	5	1
Fall Protection* (lbs)	400	400
Adjustable Flange Width (in)	2.75-8.00	2.75-8.00
Max Flange Thickness (in)	1.12	1
Product Dimensions (in)	A	11
	B	8.30
	C	8.50
	D	5.00
Minimum Radius Curve (ft)	2.75	3.35
Net Weight (lbs)	16	26

*Dimensions are for reference only and subject to change without notice.

Wheels & Bail Dimensions



	OZ05PBTA	OZ1PBTA	OZ2PBTA	OZ3PBTA
E (in)	3.25	4.00	4.5	5.75
F (in)	2.38	3.00	3.25	4.38
G (in)	4.38	5.00	6.25	6.88
H (in)	1.50	1.88	2.25	2.5
I (in)	0.63	0.63	0.88	1.0
J (in)	1.00	1.25	1.38	1.5
K (in)	2.25	2.50	3.13	3.5
L (in)	0.38	0.50	0.50	0.63

