

LEVER HOIST

Features

Standard Overload Protection – Overload device is set at approximately 150% of the rated load. This feature prevents the hoist from being severely overloaded causing damage to the hoist.

Free Wheel Feature – When not under load, the operator can disengage the gearing by positioning the selection switch to the center position. This allows for a quick adjustment of chain for faster operation.

Lifting or Pulling – Can be used for lifting or pulling which makes it a more versatile tool.

Minimal Load Lifting Effort – Double reduction gearing provides easy operation with minimal lifting effort.

360-Degree Handle Rotation – Allows the operator to work in confined spaces.

All-Steel Construction – Featuring a long lasting powder coat finish, the all-steel construction ensures durable protection while providing a long and dependable service life in harsh environments.

Weston-Style Brake System – An enclosed and protected Weston-Style load brake stays clean and dry during the entire load operation. Also equipped with a unique twin pawl design for additional reliability.

Enclosed Gearing – Gears are protected from contamination and debris.

Fully-Enclosed Lift Wheel – Maintains smooth operation while distributing the load over more links of chain. It also helps keep debris from contaminating the lift wheel and self-cleans the chain as it enters the wheel.

Sealed Roller Bearing – This feature provides smooth, controlled operation of the gears and shafts. This ensures maintenance-free lubrication.

Steel Handle with Rubber Grip – Provides a non-slip, sure-grip surface.

Forged Hooks – Forged alloy steel hooks swivel 360° for easier attachment and positioning.

Cast steel safety latches – Heavy-duty, cast-steel safety latch has a bolt-and-lock nut connection. This feature simplifies changing latches in the field.

100% load tested Zinc-Plated Chain – Provides a durable non-oily finish.

Stainless Steel Riveted ID Tags – Made from stainless steel the ID tag is corrosion resistant.

Maintenance – Hoists can be quickly disassembled for fast and easy maintenance. See the videos and maintenance breakdown animations at OZLiftingProducts.com.

***Safety Hooks & Shipyard Hooks available for 1.5 and 3 Ton Lever Hoists**

Standards – CE, ASME B30.21, AS1418.2



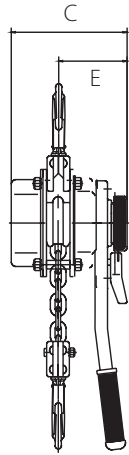
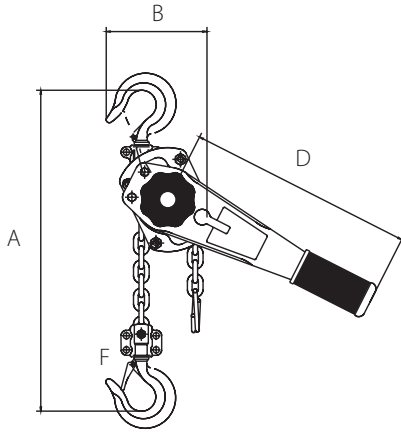
OVERLOAD PROTECTED

OZ075LHOP



WARNING
CANCER AND REPRODUCTIVE HARM
Some products may contain chemicals known to the state of California to cause cancer, or birth defect or reproductive harm.
www.P65Warning.ca.gov

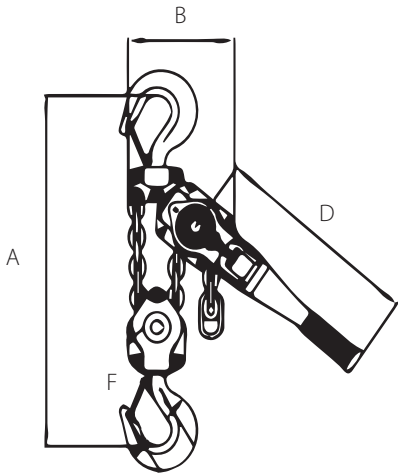
.75, 1.5, 3 T



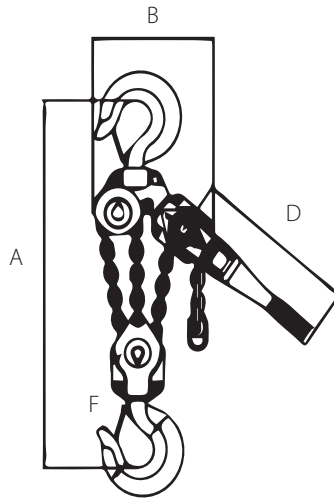
OZ600LHOP



6 T



9 T



	OZ075-LHOP	OZ150-LHOP	OZ300-LHOP	OZ600-LHOP	OZ900-LHOP	
Capacity (tons)	0.75	1.5	3	6	9	
Headroom (in)	12.79	14.96	18.90	24.41	27.56	
Effort on lever to lift full load (lbs)	30.86	48.50	70.55	74.96	79.37	
Falls of Chain	1	1	1	2	3	
Diameter of Load Chain (mm)	6	8	10	10	10	
Length of Lever Handle (in)	11.02	16.14	16.14	16.14	16.14	
Dimensional Information (in)	A	12.79	14.96	18.89	27.55	
	B	5.35	6.29	7.08	9.25	12.44
	C	5.82	6.77	7.87	7.87	7.87
	D	11.02	16.14	16.14	16.14	16.14
	E	3.54	3.85	4.52	4.52	4.52
Hook-opening, Upper & Lower (in)	F	1.18	1.41	1.57	1.96	2.28
Net Weight of Head Only (lbs)	13	22	33	51	81	

***Standard Lift: 5,10,15, and 20 ft.**

We also do custom rigging

*Dimensions are for reference only and subject to change without notice.

