

CHAIN HOIST

**FREE
SPARE SET
OF LATCHES**

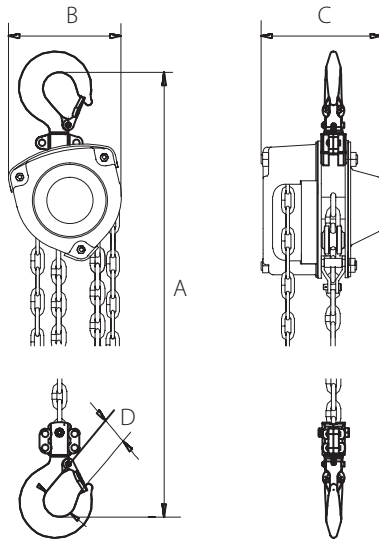
Excludes
¼ Ton Model

Features

- All-steel construction
- Long lasting powder coat finish
- Minimal load lifting effort
- 100% load tested Grade 80 alloy chain
- Weston-Style brake system with twin pawl design
- Zinc plated hand chain
- Fully-enclosed gearing
- Load sheave bearings
- Forged alloy steel hooks
- Thrust bearing on lower hook
- Heavy-duty latches

Standards - CE, ASME B30.16 and AS1418.2

OZIND020-CH



	OZIND025-CH	OZIND005-CH	OZIND010-CH	OZIND020-CH
Capacity (tons)	0.25	0.5	1	2
Effort to Lift S.W.L (lbs)	55	55	66	88
Falls of Chain	1	1	1	1
Load Chain Diameter (mm)	4x12	5x15	6x18	8x24
Product Dimensions (in)	A	10.2	12.8	14.6
	B	4.18	5.35	5.75
	C	4.02	5.2	5.98
Hook-opening, Upper & Lower	D	1.3	1.38	1.73
Net Weight (lbs)	4	10	16	19

***Standard Lift: 10, 15, 20, and 30 ft**

***.25 T Models Standard Lift: 10 ft.**

We also do custom rigging

*Dimensions are for reference only and subject to change without notice.



WARNING
CANCER AND REPRODUCTIVE HARM
Some products may contain chemicals known to the state of California to cause cancer, or birth defect or reproductive harm.
www.P65Warning.ca.gov