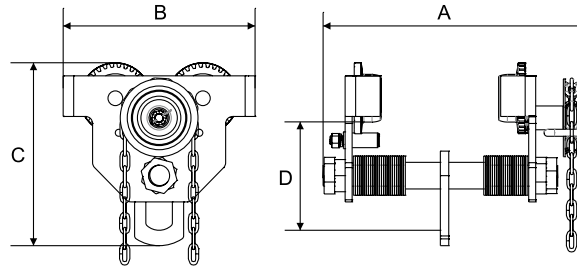


OZ GEARED BEAM TROLLEY



Features

- Lightweight robust construction
- Fits most I, S, and W-Beams
- Durable baked enamel paint protection
- Gearing for positive load positioning
- Precision ball bearing trolley wheels
- Anti-drop plate
- Stainless steel ID tag
- Individual test certificate & serial number

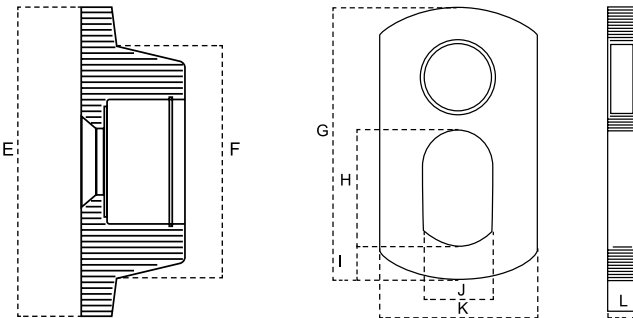


OZ5GBT

	OZ1GBT	OZ2GBT	OZ3GBT	OZ5GBT	OZ10GBT	OZ20GBT	OZ30GBT
Capacity (tons)	1	2	3	5	10	20	30
Adjustable Flange Width (in)	2.52-7.99	3.46-7.99	3.46-7.99	3.46-7.99	4.88-7.99	5.39-12.99	5.83-12.99
Max Flange Thickness (in)	1.50	1.61	1.81	2.28	1.97	2.17	2.36
Product Dimensions (in)	A	14.96	15.20	16.38	17.09	26.54	27.56
	B	9.45	10.63	12.60	13.62	20.55	23.31
	C	8.41	10.28	12.48	15.08	15.75	19.65
	D	4.90	6.08	7.30	9.09	8.31	9.96
Minimum Radius Curve (ft)	3.28	4.27	4.92	5.25	8.3	11.48	14.76
Net Weight (lbs)	29	42	62	90	183	406	650
Standard Length of Hand Chain (ft)	9.00	9.00	9.00	9.00	9.00	9.00	9.00
Effort to Pull (lbs)	10	18	29	24	42	18	24
Chain pulled to move one foot (ft)	3.80	3.90	3.70	4.02	18.90	47.83	31

Standards - CE,
ASME B30.11,
ASME B30.16

*Dimensions are for reference only and subject to change without notice.
*Available in 50 and 100 Ton please contact for specifications. Special order.



OZ30GBT

	OZ1GBT	OZ2GBT	OZ3GBT	OZ5GBT	OZ10GBT	OZ20GBT	OZ30GBT
E (in)	3.50	4.00	5.79	6.30	7.45	10.76	10.76
F (in)	2.48	2.68	4.34	4.81	5.95	7.88	7.88
G (in)	3.86	5.31	7.09	8.67	11.23	12.99	13.19
H (in)	1.46	2.01	2.96	3.75	4.73	5.91	5.91
I (in)	0.51	0.87	1.03	1.38	1.78	2.75	2.75
J (in)	1.02	1.50	1.78	2.37	3.23	4.33	4.33
K (in)	1.91	2.76	3.94	4.73	5.91	9.45	9.45
L (in)	0.39	0.47	0.63	0.79	0.99	1.38	1.18

With Gear Reduction
20 T and 30 T

*Dimensions are for reference only and subject to change without notice.

