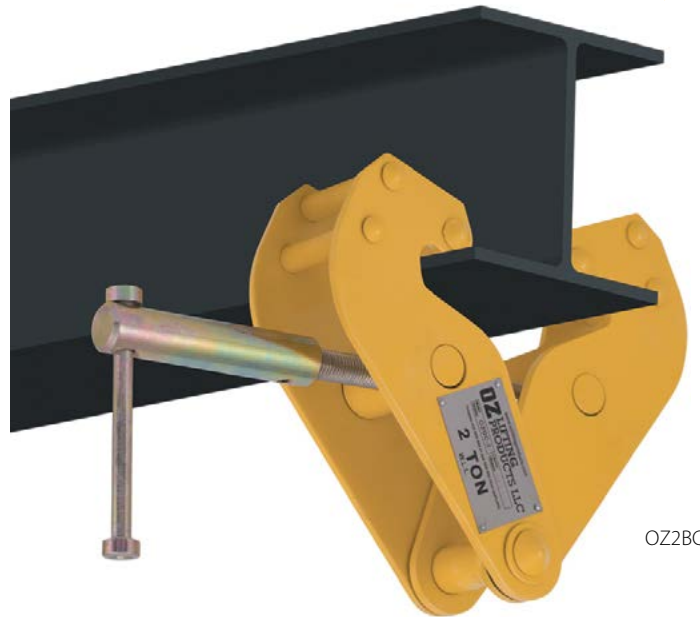


OZ BEAM CLAMP

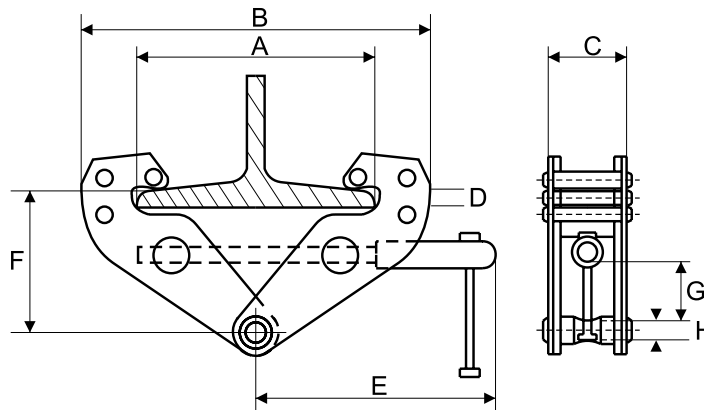
Features

- Robust, all-steel construction
- Super-quick adjustment to fit most I-Beams (see measurements below)
- Durable baked-enamel paint protection
- Stainless steel ID tag
- Individual test certificate and serial number

**Standards - CE,
ASME B30.16**



OZ2BC



	OZ1BC	OZ2BC	OZ3BC	OZ5BC	OZ10BC
Capacity (tons)	1	2	3	5	10
	A 2.95-9.05	2.95-9.05	3.15-12.60	3.54-12.60	3.54-12.60
	B 14.96 max.	14.96 max.	18.50 max.	19.68 max.	20.47 max.
	C 2.51	2.91	3.94	4.41	4.72
Dimensions (in)	D .90	.90	1.57	1.57	1.60
	E 9.13	9.13	10.63	10.90	11.22
	F 3.54-5.90	3.54-5.90	5.71-8.66	5.71-8.66	6.30-9.05
	G 1.02	1.02	2.63	3.50	3.87
	H .75	.87	.96	1.30	1.60
Net Weight (lbs)	9	11	21	25	35

*Dimensions are for reference only and subject to change without notice.

