

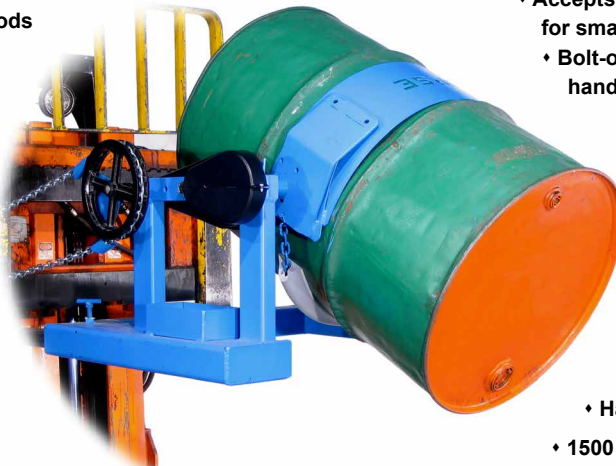
Lift and Dispense a Drum with Your Forklift

Heavy-Duty Forklift-Karriers - 1500 Lb. (680 kg) Capacity

- Quickly mounts on forklift
 - No tools or truck modifications
 - No electric or hydraulic connections
- Provides controlled drum pouring
- Allows 360° drum tilt control in both directions
- Eliminates backbreaking labor and dangerous, makeshift methods
- **Model 285AM-HD has spark resistant parts**
- **Model 285A-HDSS made of stainless steel**

Morse Heavy-Duty Forklift-Karriers have a 20' (6 m) long pull chain loop with 10' (3 m) drop so you control drum tilting, 360° in either direction. Dispense a drum right from your forklift. Can also be ordered with Hand Crank or Hand Wheel option for use only within reach.

We recommend the MORStop™ Tilt-Brake option to automatically hold the drum tilt angle until operator turns it. This prevents a partially full, unbalanced drum from turning out of control, even when the contents shift from one end to the other.



MORCINCH™ Drum Handling System

- Automatically adjusts for 22" to 23.5" (56 to 59.7 cm) diameter drum
- Accepts Diameter Adapters for smaller drum
- Bolt-on Top Rim Clamp or Bracket Assembly to handle a plastic or fiber drum
- Includes flexible cover on the cinch chain to help protect drum sidewall
- Incorporates alloy cinch chain and durable stress relief weld joints
- **285A-HD, 285AM-HD, 285A-HDSS**
- Chain wheel tilt control with 60:1 gear ratio
- Safety cover over gears
- Handle drum with faucet in place
- **1500 Lb. (680 kg) full-drum capacity**
- **800 Lb. (363 kg) half-full* drum capacity**



Half-full rating is an indication of capacity for tilting an unbalanced, bottom-heavy drum. A partially full drum with unbalanced and shifting load is harder to tilt than a full drum.

Model	Description	MORStop™ Tilt-Brake Option	Hand Crank Option	Hand Wheel Option	Smaller Drum
285A-HD	Forklift-Karrier	3900i-P	X02-285	X03-285	55/30 Series
285AM-HD	Forklift-Karrier with Spark Resistant Parts	3900i-P	X02-285M	X03-285M	55/30M Series
285A-HDSS	Stainless Steel Heavy-Duty Forklift-Karrier	3900SSi-P	X02-285HDSS	X03-285HDSS	55/30SS Series

MADE IN USA

Steps for use of Heavy-Duty Forklift-Karriers

1. Drive truck forks into the Heavy-Duty Forklift-Karrier's fork pockets.
2. Dismount and screw down the safety locks to grip the forks.
3. Drive to a drum at ground level, so that the drum holder meets the center of your drum.



4. Secure your drum in the drum holder between drum ribs... no tools are needed.



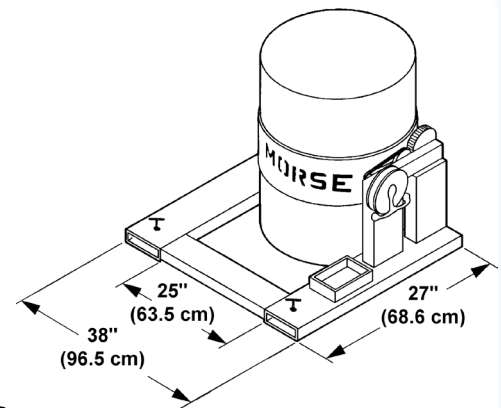
To secure drum, drape the cinch chain with flexible chain cover across the front of the drum, insert one link into the slot on the ratchet handle, and turn the ratchet handle clockwise to tighten the cinch chain around the drum.



5. If your Heavy-Duty Forklift-Karrier is so equipped, tighten the Top Rim Clamp or adjust the Bracket Assembly height.
6. Raise your forklift carriage and the secured drum, then travel to the dumping location.
7. To control turning of the drum without leaving your seat, pull the chain loop for complete control of drum tilting.



8. To remove drum from your Heavy-Duty Forklift-Karrier, turn the ratchet handle clockwise to relieve pressure on the ratchet teeth, lift pawl handle to release teeth engagement, then rotate the ratchet handle counter clockwise to loosen the chain and allow its removal from the slot on the ratchet handle.



Dimensions

IMPORTANT: Requires 25" (63.5 cm) Between Forks

Fork Pockets are 25" (63.5 cm) apart

Each Fork Pocket Opening:

- Model 285A-HD & 285AM-HD 6.5" wide x 2.5" high (16.5 x 6.35 cm)
- Model 285A-HDSS 5.5" wide x 2.5" high (14 x 6.35 cm)

Fork pockets are 26.5" deep (67.3 cm)

Loop of pull chain extends approximately 10' (3 m) beyond the chain wheel.

Dimensions

MADE
IN
USA

