

Lift and Dispense a Drum with Your Forklift



Forklift-Karriers - 800 Lb. (363 kg) Capacity

- Quickly mount on your forklift
 - No tools or truck modifications
 - No electric or hydraulic connections
- Provides controlled drum pouring
- Allows 360° drum tilt control in both directions
- Eliminates backbreaking labor and dangerous, makeshift methods
- Model 285AM has spark resistant parts

MADE
IN
USA

Morse Forklift-Karriers have a 20' (6 m) long pull chain loop with 10' (3 m) drop so you control drum tilting, 360° in either direction. Dispense a drum right from your forklift. Can also be ordered with Hand Crank or Hand Wheel option for use only within reach.

We recommend the MORStop Tilt-Brake option to automatically hold the drum tilt angle until you move it. This prevents a partially full, unbalanced drum from turning out of control, even when the contents shift from one end to the other.



| Model | Description | MORStop Tilt-Brake Option | Hand Crank Option | Hand Wheel Option | Adapters for Smaller Drum |
|-------|---------------------------------------------|---------------------------|-------------------|-------------------|---------------------------|
| 285A | Forklift-Karrier | 3900i-P | X02-285 | X03-285 | 55/30 Series |
| 285AM | Forklift-Karrier with Spark Resistant Parts | 3900i-P | X02-285M | X03-285M | 55/30M Series |

MORCINCH™ Drum Handling System

Rimless Plastic Drum Bracket Assembly
Handle rimless poly drum or more securely handle a fiber drum



The **Bracket Assembly** provides a brace at top and bottom of your drum to prevent it from slipping lengthways through the drum holder. The Bracket Assembly is required to handle a rimless plastic drum, and recommended to more securely handle a fiber drum. It adjusts for 31" to 39" (79 to 99 cm) tall drum.

Kit # 4556-P Bracket Assembly.
Kit # 4556M-P Spark Resistant

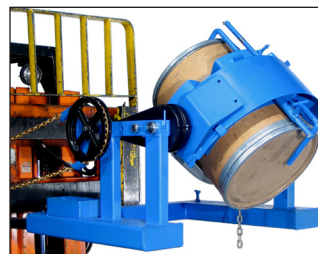
Rimmed Plastic Drum Top Rim Clamp
for 55-gallon (210 liter) rimmed plastic or fiber drum



The **Top Rim Clamp** grips the upper drum rim to prevent it from slipping lengthways. Handle a 30-gallon to 55-gallon (114 to 210 liter) RIMMED plastic or fiber drum. To safely handle a plastic drum, you must install either the Bracket Assembly or the Top Rim Clamp.

Kit # 4560B-P Rim Clamp Assembly
Kit # 4560M-P Spark Resistant Rim Clamp Assembly

Smaller Drum Diameter Adapters
for Smaller Diameter Drum



Diameter Adapters insert into the drum holder to handle a smaller drum. Select the correct size Diameter Adapter for each drum. Spark resistant and stainless steel Diameter Adapters also available.

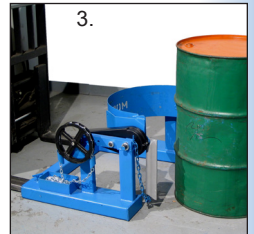
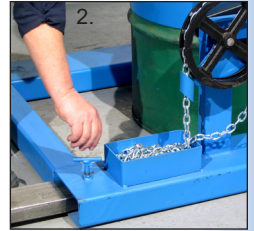
Web Strap with Ratchet



Option # 5115i-P Web Strap and Ratchet installed (not for spark resistant models)

Steps For Use of Forklift-Karriers

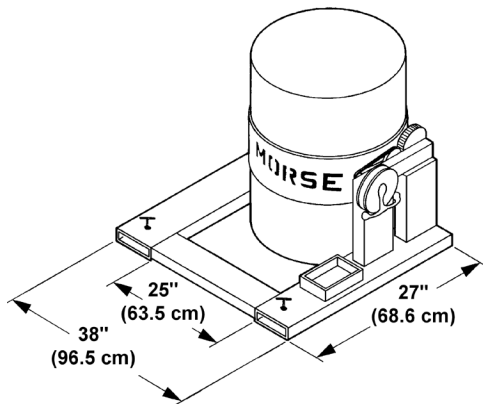
1. Drive your truck forks into the Forklift-Karrier's fork pockets.
2. Dismount and screw down the safety locks to grip the forks.
3. Drive to a drum at ground level, so that the drum holder meets the center of your drum.
4. Secure your drum in the drum holder between drum ribs... no tools are needed. To secure drum, drape the cinch chain with flexible chain cover across the front of the drum, insert one link into the slot on the ratchet handle, and turn the ratchet handle clockwise to tighten the cinch chain around the drum.
5. If your Forklift-Karrier is so equipped, tighten the Top Rim Clamp or adjust the Bracket Assembly height.
6. Raise your forklift carriage and the secured drum, then travel to the dumping location.
7. To control turning of the drum without leaving your seat, pull the chain loop for complete control of drum tilting.
8. To remove drum from your Forklift-Karrier, turn the ratchet handle clockwise to relieve pressure on the ratchet teeth, lift pawl handle to release teeth engagement, then rotate the ratchet handle counter clockwise to loosen the chain and allow its removal from the slot on the ratchet handle.



MADE
IN
USA

285 Series Dimensions

IMPORTANT: Requires 25" Between Forks



Fork pocket openings are 6.5" wide x 2.5" high (16.5 x 6.35 cm).

Fork pockets are 26.5" deep (67.3 cm).

Inside width between forks **MUST** be at least 25" (63.5 cm).

NOTE: Standard loop of pull chain extends approximately 10' (3 m) beyond the chain wheel. Custom lengths are available.