

82A Series Drum Palletizers that Pour

Drum Movers and Palletizers

Move, Palletize and Dispense Drum



Model 82A-125 shown has battery power drum lift

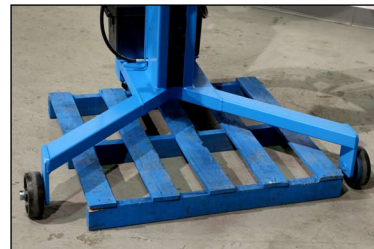


This innovative design combines the V-shaped base to serve the corner of a pallet, with a drum holder to rotate and dispense a drum.

- Models with AC, DC or Air power lift
- Lift, Transport and dispense a drum up to 600 Lb. (272 kg)
- Secure drum in holder with web strap
- Use Tilt Locks to lock at horizontal for dispensing. Lock upright to prevent spills while transporting.



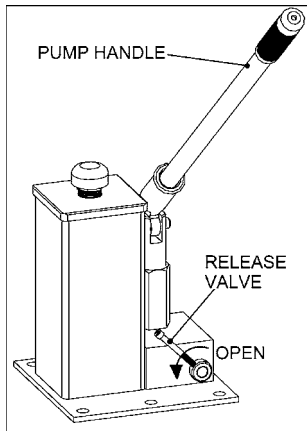
- Lift 55-gallon (210 liter) steel drum up to 20" (50.8 cm) above floor in upright position. Heavy-duty hydraulic lift cylinder includes velocity fuse to provide a full line shut-off in the event of a line failure.
- Grab drum by hand to rotate drum for pouring
- Dispense horizontal drum up to 26" (66 cm) high
- Horizontal 55-gallon (210 liter) steel drum reaches 18.5" (47 cm) beyond front wheels
- V-Shaped base to service pallet corner. Counterweighted for stability.
- Service spill containment pallet up to 20" (50.8 cm) high



MADE
IN
USA

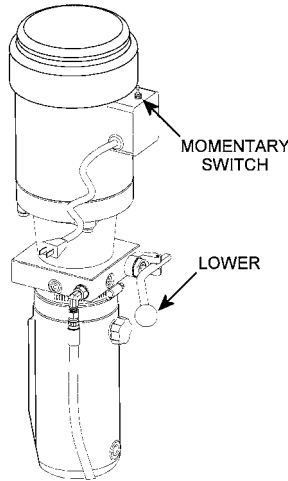
Manual Lift Models

Ergonomic Power Lift Models



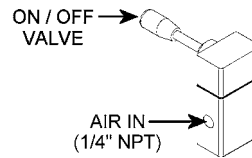
Hand Pump Lift Control
Models 82A and 82A-SS

It takes 27 pumps of the hand pump to lift a drum to maximum height.



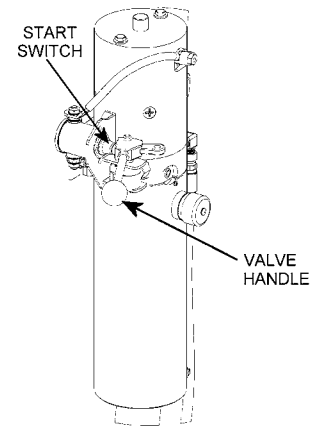
Electric Power Lift Controls
Models 82A-120 and 82A-SS-125

Use switch to raise the drum. Lower the drum with manual release valve.



Air Power Lift Controls
Model 82A-124 and 82A-SS-124

Use on / off valve to raise and lower the drum.

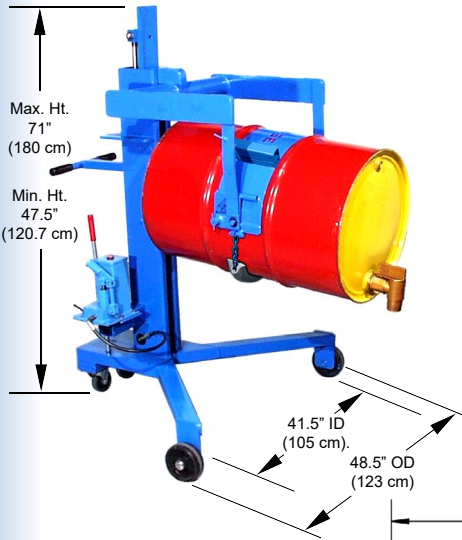


Battery Power Lift Controls
Model 82A-125 and 82A-SS-125

Self contained battery power-lift. Use valve to raise and lower the drum. 12V deep cycle battery and separate charger are included.

Model #	Drum Palletizer / Pouter Description	Motor	Options & Accessories			Kit to Permanently Convert to 82H
			Top Rim Clamp Kit	Bracket Assembly Kit	Diameter Adapters	
82A	Hand Pump Drum Lift	-	4560-P	4556-P	55/30 Series	4724-P
82A-120	60Hz AC Power Drum Lift	1 HP, Single-phase, 115V, 60Hz, TEFC	4560-P	4556-P	55/30 Series	4724-P
82A-124	Air Power Drum Lift	-	4560-P	4556-P	55/30 Series	4724-P
82A-125	Battery Power Drum Lift *	12V DC Motor *	4560-P	4556-P	55/30 Series	4724-P
82A-127	50Hz AC Power Drum Lift	1 HP, Single-Phase, 110/220V, 50Hz	4560-P	4556-P	55/30 Series	4724-P
Stainless Steel Models - Frame made of Type 304 Stainless Steel with Bead Blast Finish						
82A-SS	Hand Pump Drum Lift	-	4560SS-P	4556SS-P	55/30SS Series	-
82A-SS-120	60Hz AC Power Drum Lift	1 HP, Single-phase, 115V, 60Hz, TEFC	4560SS-P	4556SS-P	55/30SS Series	-
82A-SS-124	Air Power Drum Lift	-	4560SS-P	4556SS-P	55/30SS Series	-
82A-SS-125	Battery Power Drum Lift *	12V DC Motor *	4560SS-P	4556SS-P	55/30SS Series	-

* Includes 12V DC battery and 100/220V 50/60Hz AC charger. 12V Deep Cycle Lead Acid Battery is designed for domestic shipment only. For export shipment, add Option "NB" No Battery. Customer must obtain battery before use... Exide # 27MDP 12V Deep Cycle Battery or equivalent.



Dimensions of 82A Series

- Overall width: 48.5" (123.2 cm)
- Overall length: 43" (109.2 cm)
- Turning radius: 53" (135 cm)
- Legs are 9" (22.9 cm) high and reach 20.75" (52.7 cm) in front of upright stanchion
- (2) 4" (10.2 cm) swivel casters at back
- (2) 6" (15.2 cm) wheels at front

