

Lift a Drum with Your Crane



Model 86
made of
carbon steel
painted blue



Safety Conscious Lifters with Under-Drum Support

- **Attach to crane, monorail or hoist**
- **Set drum on bottom support**
- **Secure web strap around drum**
- **Lift steel, plastic or fiber drum**
- **Capacity: 1000 Lb. (454 kg)**

Lift and Transport Steel, Plastic or Fiber Drum:

- 22" to 23.5" (55.9 cm to 59.7 cm) diameter
- 23" to 38" (58.4 cm to 96.5 cm) tall
- Accepts Diameter Adapters for smaller drum down to 14" (35.6 cm) diameter

Where is this drum lifter used?

- Docks and mezzanines
- Oil rigs and other marine applications
- Construction sites

Model 86-SS
made of
type 304
stainless steel



Attach the drum lifter to your hoist or crane hook to lift and move an upright drum.

Secure drum with web strap and ratchet positive grip mechanism around the drum. Drum is supported from below by a bar at the bottom. This ensures that your drum will be transported safely with no chance of sliding out. No tools are necessary.

Once loaded, the unit carries the drum without tilting it.

Each Model 86 and 86-SS is load tested at the factory at 125% of rated capacity as per American National Standard ASME B30.20. A load test certificate is shipped with each unit.

86 Series Drum Lifters

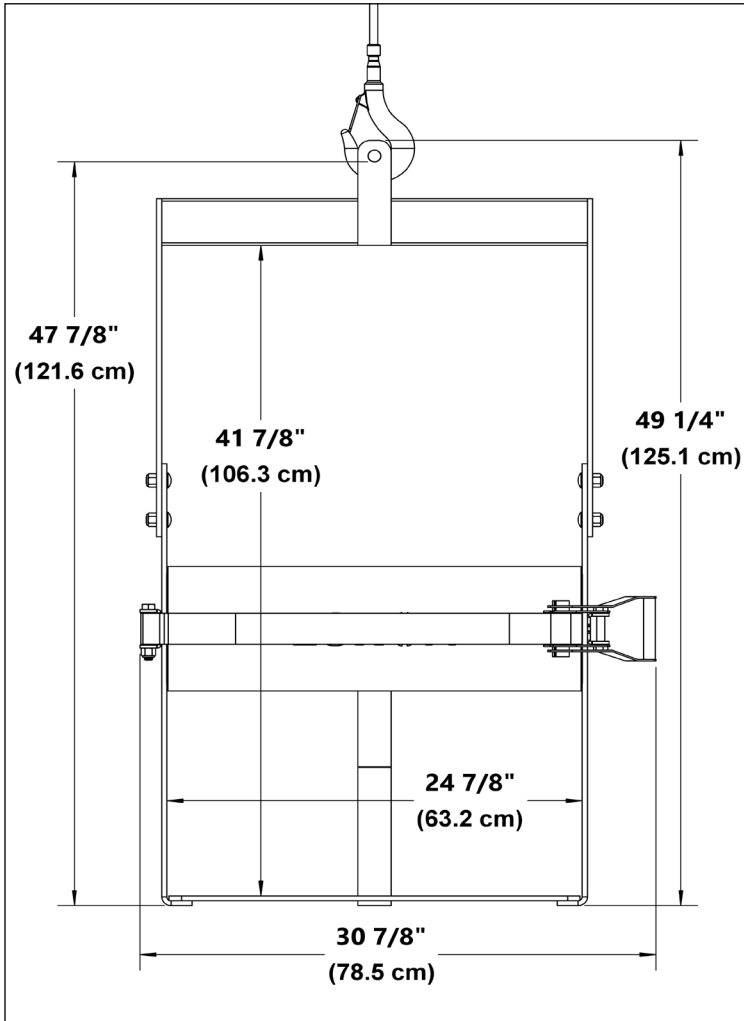
Model #	Description	Capacity
86	Drum Lifter with web strap around drum	1000 Lb. (454 kg)
86-SS	Stainless Steel Drum Lifter with web strap around drum	1000 Lb. (454 kg)

MADE
IN
USA

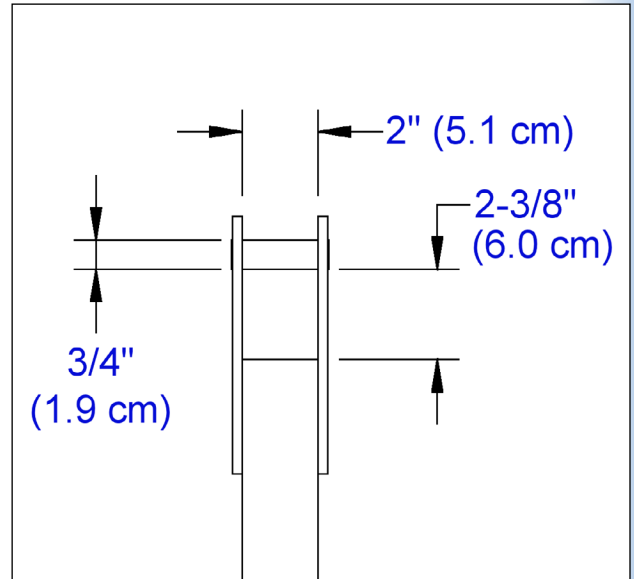
Dimensions



Drum Lifter Dimensions for Model 86 and Model 86-SS



Lifting Eye Detail



MADE
 IN
 USA