



DAVIDE PEDERSOLI

CARTRIDGE GUNS OWNER'S MANUAL



WARNING

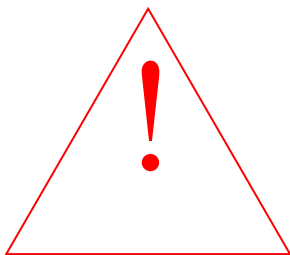
READ THIS MANUAL IN ITS ENTIRETY BEFORE USING YOUR FIREARM.

YOU MUST READ CAREFULLY THIS BOOKLET IN ITS ENTIRETY AND FULLY UNDERSTAND ITS SIGNIFICANCE , BEFORE USING YOUR FIREARMS.

REPLACEMENT BOOKLETS ARE AVAILABLE AT NO CHARGE FROM OUR FACTORY.

IF AFTER READING THIS BOOKLET, YOU STILL HAVE QUESTIONS CONCERNING THE SAFE USE OF YOUR FIREARM , WRITE TO:

DAVIDE PEDERSOLI® & C.
25063 GARDONE V.T. (BS) – ITALY
Via Artigiani, 57 – P. O. Box 150
INFO@DAVIDEPEDERSOLI.COM



WARNING: Discharging firearms in poorly ventilated areas, cleaning firearms, or handling ammunition may result in exposure to lead and other substances known to the State of California to cause birth defects, reproductive harm, and other serious physical injury. Have adequate ventilation at all times. Wash hands thoroughly after exposure.

INDEX

General Hints for the use of firearms

GENERAL HINTS.....	5
DISCLAIMER OF LIABILITY.....	5
PROOFHOUSE TEST.....	5
PRECAUTIONS.....	5
FIRING.....	6
STORAGE.....	7

General technical instructions

DOUBLE & SINGLE SET TRIGGER ADJUSTMENT - SAFETY	8
DOUBLE SET TRIGGER	8
SINGLE SET TRIGGER.....	8
WARNING.....	9
SIGHTING ADJUSTMENT.....	10

SPECIAL AND GENERAL CAUTIONS FOR SHOOTING WITH BREECH LOADING GUNS

AMMUNITION	11
MALFUNCTIONS.....	12

LOADING AND SHOOTING INSTRUCTIONS FOR 1859 & 1863 SHARPS RIFLES

FIELD STRIPPING.....	13
CLEANING.....	14
CAUTION.....	15
LOADING AND FIRING.....	16
UNLOADING PROCEDURE.....	18
BRASS CASES LOADING	19

LOADING AND SHOOTING INSTRUCTIONS FOR 1874 SHARPS RIFLES

FIELD STRIPPING	20
CAUTION	21
LOADING AND FIRING	21
BLACK POWDER RELOADING FOR SHARPS RIFLES .40-65 / .45-90 / .45-110 / .45-120 / .50-70 / 50-90 CALIBERS AND OTHERS	22
UNLOADING A LIVE ROUND	23

LOADING AND SHOOTING INSTRUCTIONS FOR ROLLING BLOCK RIFLES

CAUTION	24
LOADING AND FIRING	25
BLACK POWDER RELOADING FOR ROLLING BLOCK RIFLES .40-65 / .45-90 / .45-110 / .45-120 / .50-70 / .50-90 CALIBERS AND OTHERS.....	25
DISASSEMBLING THE FRAME	26
BACK TOGETHER	27

LOADING AND SHOOTING INSTRUCTIONS FOR 1873/1875 SPRINGFIELD TRAPDOOR RIFLES

CAUTION	28
LOADING AND FIRING	29
ENGAGING THE SAFETY OF YOUR RIFLE	30

LOADING AND SHOOTING INSTRUCTIONS FOR 1886/71 LEVER ACTION

CAUTION	31
LOADING THE TUBULAR MAGAZINE.....	32
UNLOADING YOUR RIFLE.....	34

UNCOCKING THE HAMMER OF A LOADED GUN.....	35
FIRING YOUR RIFLE.....	35
LOADING AND SHOOTING INSTRUCTIONS FOR PEDERSOLI LIGHTNING	
AMMUNITION WARNING	36
LOADING AND UNLOADING YOUR RIFLE	38
UNCOCKING THE HAMMER OF A LOADED GUN	41
FIRING YOUR RIFLE	41
LOADING AND SHOOTING INSTRUCTIONS FOR PEDERSOLI HIGH WALL	
AMMUNITION WARNING	42
LOADING AND UNLOADING RIFLE	43
UNLOADING A LIVE ROUND	46
FIRING YOUR RIFLE	47
LOADING AND SHOOTING INSTRUCTIONS FOR KODIAK MK IV RIFLE	
AMMUNITION WARNING	48
HOW TO ASSEMBLE YOUR RIFLE	49
HOW TO DISASSEMBLE YOUR RIFLE	50
LOADING AND UNLOADING RIFLE	51
FIRING YOUR RIFLE	54
LOADING AND SHOOTING INSTRUCTIONS FOR SIDE BY SIDE “ WYATT EARP “	
SHOOTING SELECTION	55
LOADING AND FIRING	55
CARE AND CLEANING	56
ASSEMBLY AND DISASSEMBLY	56
FIGURES AND EXPLODED VIEW	
SHARPS SPORTING 1859 & 1863	57
SHARPS SPORTING 1874.....	60
ROLLING BLOCK	63
SPRINGFIELD TRAPDOOR “OFFICER”	65
1886/71 LEVER ACTION	68
PEDERSOLI LIGHTNING.....	71
HIGH WALL.....	74
KODIAK MARK IV.....	77
SIDE BY SIDE “ WYATT EARP“.....	80

GENERAL HINTS FOR THE USE OF FIREARMS

BEFORE USING ANY FIREARM, MUZZLELOADING OR CARTRIDGE GUNS, WE ASK YOU TO READ CAREFULLY THIS BOOKLET, AND TO GET THOROUGHLY FAMILIAR WITH THE OPERATION OF THE SPECIFIC GUN.

GENERAL HINTS

A firearm is a sport and law enforcement tool capable of injuring and killing. It is a precision instrument designed to function reliably with proper care and knowledgeable use. If you do not have full knowledge of the power and function of firearms, we recommend that you seek proper training. Careless and improper handling of guns could result in unintended discharge causing injury, death or property damage. Safety must be the first and constant consideration when handling a firearm and ammunition. Various safety features have been incorporated into each firearm but relying on mechanical features alone is, at most, only half safe. Mechanical safety devices are not failsafe, but more importantly the safe use of any mechanical instrument is dependent upon intelligent use.

Accidents do not “just happen” but occur as the result of human behavior, thoughtless acts jeopardize the wellbeing of the user and those around him or her.

Insure the safe use of firearms by following these guidelines.

NOTE: SAFETY DEVICES ON GUNS ARE EXTRAS AND ARE NOT SUBSTITUTE FOR PROPER AND SAFE HANDLING PRACTICES.

DISCLAIMER OF LIABILITY

Davide Pedersoli Co. shall not be responsible for product malfunction or for physical injury, death, or property damage from the gun’s intentional or accidental discharge, its criminal or negligent use, improper or careless handling, unauthorized modifications or alterations, corrosion or other failure to maintain, use of defective, improper, hand-loaded or reloaded ammunition, or other than original, good condition, high quality, commercially manufactured ammunition, from its use for purposes or subjection to treatment for which it was not designed. Davide Pedersoli Co. will not honor claims made by second or subsequent owner of the firearm.

While this firearm was tested, carefully inspected, and packaged before it left the factory, Davide Pedersoli Co. cannot thereafter control product handling. Please be sure to examine this firearm carefully when purchase to ensure it is unloaded and undamaged. Your gun dealer will assist you in making this examination and answer any further questions in this regard.

PROOF HOUSE TEST

According to the Italian Law ruling production and sale of arms, all muzzle loading and breech loading firearms must be submitted to forced firing tests at the National Proof House in Gardone Val Trompia, Brescia (C.I.P. rules).

Proper marks stating the tests are stamped both on the barrels and on the frame.

PRECAUTIONS

- ♦ Before shooting, learn this gun’s mechanical and handling characteristics, and read and be thoroughly familiar with these safety instructions. If you do not fully understand any of the instructions in this manual, consult a competent firearms instructor through your local gun club or you can contact Davide Pedersoli Co. directly.
- ♦ Always point the gun in a safe direction, and handle it as though it were loaded. This is especially important when loading and unloading the gun, and when handing it to someone else. Never take someone’s word it is unloaded, but always check it yourself with your fingers off the trigger and the gun pointed in a safe direction.

- ◆ If your firearm is shipped disassembled, read instructions and totally understand proper assembly before proceeding.
- ◆ Place your finger inside the trigger guard only when you are ready to fire.
- ◆ Do not make any modifications or adjustments to your firearm, which will affect the safe and normal function of the gun.
- ◆ When purchasing accessories such as leather or when adding accessories such as grips or sights, be sure they are compatible with the firearm and do not interfere with safe operation.
- ◆ While at a shooting range, always carry the gun unloaded and open until preparing to shoot. Keep it pointing towards the backstop when loading, shooting and unloading.
- ◆ If you must carry a loaded gun, always carry it with the muzzle pointing in a safe direction and with the safety in the “safe” position. But remember that no mechanical safety is failsafe. Never carry firearms with an exposed hammer with the hammer cocked. In auto loading or hand repeating guns, do not chamber a round.
- ◆ Do not use your firearm for purposes other than those for which it was designed.
- ◆ Do not allow a firearm to be used by untrained individuals.
- ◆ When transporting your firearm in any vehicle, be sure it is unloaded and that the action is open.
- ◆ Never leave a gun, especially a loaded gun, unattended as someone, especially a child, could accidentally shoot it causing injury, death or property damage.

FIRING

- ◆ Whenever firing any type of firearm, wear safety glasses to protect your eyes from sparks, lead fragments, black powder residues, pieces of caps or flints, pellet rebound etc., and ear protection for the loud report.
- ◆ In selecting a place to shoot, be sure the area has a safe backstop, is free from obstructions and water surfaces which cause ricochets, and is protected so that persons or animals cannot accidentally walk into the shooting field. Making sure there is a proper backstop, which will stop and contain bullets. A bullet can travel through or past your target for several kilometers. If you have any doubt, **DO NOT SHOOT**.
- ◆ When firing on a target range, follow the range officer’s commands to load, fire, and cease-fire and unload.
- ◆ Before anyone is allowed to move forward the firing position on a range, be sure all actions of firearms are open and unloaded, without cartridges or ammunition of any kind, as well as igniting caps, and that they are safely positioned.
- ◆ Never use alcoholic beverages or other drugs before or during shooting.
- ◆ If your firearms fail to function properly, do not try to fire it and do not force an action that is jammed.
- ◆ Beware of obstructions in the barrel. If, when firing, a weak or peculiar report is heard, cease firing, open the action, if possible, and unload the gun and inspect the barrel for an obstruction or for damage. Do not fire a gun with an obstructed or damaged barrel.
- ◆ If you are carrying a loaded gun in the field, never follow a companion.
- ◆ Never cross obstacles such as fences or streams with a loaded gun.
- ◆ Never run with a loaded gun.
- ◆ Do not smoke while handling, loading or shooting any ammunition, especially black powder. Keep black powder in a closed container at all times, closing again the container after each and every use.
- ◆ Never shoot the gun near an animal, as the animal could be startled and cause an accident.

- ◆ Never engage in “horseplay” while holding your gun.
- ◆ Make sure slide lock safety is applied while gun is cocked and ready to fire. Otherwise, the gun could accidentally discharge, causing injury, death, or property damage.
- ◆ Place the hammer rearward only when you are ready to shoot.
- ◆ Never place or permit the hammer to remain in the half-cock notch, as this is not a safe carrying position. You might end up accidentally perching the hammer on the lip of the half cock notch, which is extremely dangerous given the hammer in this condition could fall forward and discharge the gun, causing injury, death, or property damage.
- ◆ Always be aware of other people around you. Keep spectators or others to your rear. Keep hands and face clear and keep others clear of the ejection port as ejected spent cartridges can cause injury. To prevent burns or injury from the slide moving forward, make sure your hand and fingers do not touch or obstruct the ejection port.

STORAGE

- ◆ Make sure your gun is not loaded before cleaning, storing or traveling and the magazine is removed with slide-latched open before laying it down, and/or handing it to another person.
- ◆ Store your unloaded firearm and ammunitions separately and in places inaccessible to unauthorized persons and/or children.
- ◆ Do not encase your firearm in anything which will attract or hold moisture.
- ◆ The internal mechanism should be oiled after use and periodically during storage, with an acid-free lubricating oil, while the external mechanism plus frame and barrel should be coated with anti rust oil.
- ◆ Before using your gun, be sure to clean it and to check it for signs of wear or defects.
- ◆ If your firearm is to be used or stored in a cold climate, be sure to use oil, which will not freeze, at low temperatures.
- ◆ After use, the stock and wood parts must be cleaned with a soft woolen cloth and film covered with linen oil for wood.

GENERAL TECHNICAL INSTRUCTIONS

DOUBLE & SINGLE SET TRIGGER ADJUSTMENT - SAFETY

Your gun can be provided with set trigger as:

- ♦ **double triggers:** the rear trigger is the set trigger while the front one is the firing trigger.
- ♦ **single set trigger** (also called French set trigger): move the trigger forwards in order to set the trigger pull, just a light touch on the trigger will then be needed to fire.

Under certain circumstances, an activated set trigger may release the cocked hammer due to the shock of the mechanism.

Properly adjusted, set triggers will not release the cooked hammer unexpectedly and the instructions below should be read carefully und trigger adjustments made correctly.

BEFORE MAKING ANY ADJUSTMENTS MAKE CERTAIN THE GUN IS UNLOADED.

See figures at page 6 of this booklet.

DOUBLE SET TRIGGER

The rear adjusting screw (# 1) controls the tension on the main spring (# 2) by raising or lowering the main spring. Turn the screw (# 1) inwards until the hammer will stay cocked without having the rear trigger "set" (*clicked*).

If the screw (# 1) has been set inwards too far, the hammer will not fall when the front trigger is pulled strongly.

If the screw (# 1) is not set inwards enough, the hammer will fail to remain at full cock position unless the rear trigger is "set" (*clicked*) first. Therefore, if the hammer will not remain in full cock, the screw must be turned inwards further until the hammer will remain in full cock without first "setting" the rear trigger.

NOTE: when making adjustments on screw (# 1) always move the screw in $\frac{1}{4}$ to $\frac{1}{2}$ turn increments and recheck your results before making more adjustments.

The front trigger will release the hammer even if the rear trigger has not been "set".

With the rear trigger **NOT** set, the pressure required to release the hammer will be much more that when the rear trigger has been "set" (*clicked*).

The front trigger adjustment screw (# 3) changes the amount of movement or travel, which the front trigger, will have before the hammer is released.

Turning the adjustment screw (# 3) inwards will reduce the front trigger movement required to release the hammer. Turning the screw outwards will increase the required front trigger movement.

If this screw (# 3) is turned inwards too far, it will not "hold" the setting against the rear trigger sear notch (# 4).

Proper adjustment should produce a very small trigger movement with light pressure required. Such a setting helps a good shooter to obtain better accuracy.

We recommend to periodically verifying the screws that may loosen due to the shot vibrations.

For some set triggers there is a side screw (# 5) to make sure that the screw (# 1) doesn't loosen. This however does not happen too often and only to guns that have very strong recoil.

SINGLE SET TRIGGER

A small adjustment screw (# 1) is located right behind the trigger blade (# 2). Turning this screw inward will reduce the pressure required to release the trigger and turning the screw downward will increase the required trigger release pressure.

Pressing the trigger blade forward does the actual setting of the trigger.

The screw (# 1) has a slot head to allow a small screwdriver to be used and there is also a small-drilled hole, which allows a pin or small nail to be used to turn the screw.

Note that gun equipped with the single set trigger can also be fired without first setting the trigger. With a cocked hammer simply pull back on the trigger and the hammer will be released. Of course the amount of pressure required will be greater than when the trigger has been "set".

WARNING

If the set trigger has been adjusted for a short and light release, it may be possible that a strong shock or a strong vibration may cause an unexpected hammer fall.

This situation can be extremely dangerous, as shot may occur. Therefore after you make an adjustment, please make the following safety tests:

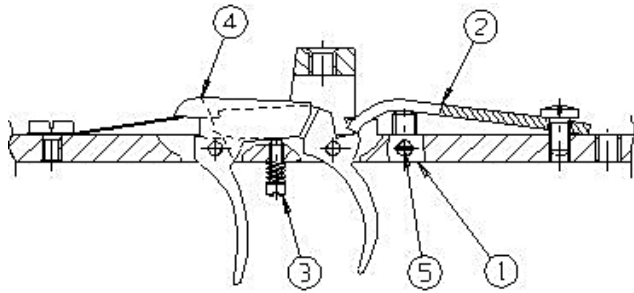
♦ **with a muzzle loading gun:**

- 1a) Make certain the gun is **UNLOADED**, unprimed or uncapped and no powder charge in the chamber.
- 2a) Full cock the hammer.
- 3a) Press the trigger blade forward, or set the rear trigger by pressing it back until you hear a click sound indicating the action has been "set".
- 4a) Holding the gun pointing upwards, knock the butt sharply, several times, against a wood surface protecting the stock in a proper way. Repeat this shock test while holding the gun in other positions.
- 5a) The hammer must not be accidentally released. If the hammer does release you must increase the release pressure slightly and repeat these shock tests until the hammer never releases when the gun is shock tested in several positions.

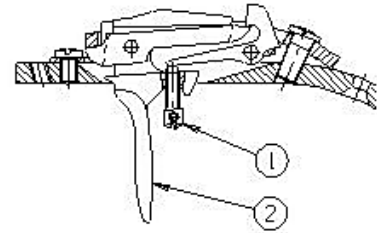
♦ **with a breech loading gun:**

- 1β) Make certain the gun is **UNLOADED**, without any cartridge into the chamber.
- 2β) Place the hammer in the safe half-cock position and insert a **FIRED** cartridge case, so the firing pin will have something to strike against. (For the Rolling Block model it will be necessary to cock the hammer to enable the breechblock opening).
- 3β) Full cock the hammer, then set the trigger properly.
- 4β) Lower the breech lever (Sharps) fully and slam it closed at least 10 times. Use more force than normally would be used, or holding the gun pointing upwards, knock the butt sharply, several times, against a wood surface protecting the stock in the proper way. Repeat this shock test while holding the gun in other positions.
- 5β) The hammer must not be released by this strong shocking. If the hammer remains in full cocked position, your trigger setting is normal and safe.
- 6β) If the hammer does release during this shock test, you must change the adjustment of the front, rear or both triggers in order to obtain proper safety.

CAUTION: If you allow others to shoot your pistol or rifle, we suggest letting them try the set triggers before allowing live ammunition to be fired. The very light trigger pressure is a big surprise to many shooters who have not had previous experience with the single or double set trigger system. The hammer does not have to be cocked to allow this trigger practice. Just set the trigger and allow the new shooter to experience the light pressure required.



DOUBLE SET TRIGGER



**SINGLE SET TRIGGER
CALLED FRENCH STYLE**

SIGHTING ADJUSTMENT

Your gun can be equipped with a non-adjustable rear sight, or with an adjustable rear sight. In the first case, sighting adjustments should be made with the front sight, which is drift adjustable for windage. With a brass drift, the front sight can be moved left or right, depending on which direction your rifle happens to be shooting. Move the front sight in the direction you are shooting: if you are shooting to the left, move your front sight left; if it shoots right, move the front sight right. For short range elevation adjustments, it may be necessary to file the front sight blade down a little.

For the models provided with adjustable rear sight, its regulation can be done in combination with the front sight.

The elevation adjustment will be obtained moving the sliding aiming notch to the opposite shooting position. If the gun shoots low, you have to adjust the sliding aiming notch towards the high and vice-versa.

The windage adjustment will be on the opposite side where the mistake is.

SPECIAL AND GENERAL CAUTIONS FOR SHOOTING WITH BREECH LOADING GUNS

Before proceeding, please make sure to **CAREFULLY** read the warning seen in the section "*GENERAL HINTS FOR THE USE OF FIREARMS*" in this booklet.

WARNING: BEFORE PROCEEDING ALWAYS MAKE SURE THE FIREARM IS UNLOADED AND POINTED IN A SAFE DIRECTION.

- Using a quality gun solvent, remove all excess factory lubricant. For Sharps models, field stripping the firearm will facilitate this process (see "FIELD STRIPPING" of section "*LOADING AND SHOOTING INSTRUCTIONS FOR 1874 SHARPS*" in this booklet).
- Relubricate all moving contact points with a quality "spray type" gun lubricant (item USA 489).
- Thoroughly clean the bore, and remove all excess solvent with clean, dry patches (item USA 497) replacing them as often as necessary until they come out clean and dry.

A slight film of gun oil should be left in the barrel during long periods of storage, however, the cleaning procedure **MUST** be repeated before shooting the firearm.

THE BARREL MUST ALWAYS BE CLEAN AND DRY BEFORE SHOOTING.

AMMUNITION

- ◆ Use only commercially manufactured ammunition.
- ◆ Your gun has been designed for ammunition of a specific gauge or caliber do not alter the barrel, chamber, caliber or gauge for which your gun was designed.
- ◆ Be sure you never mix ammunition.
- ◆ Use only ammunition specifically recommended for your firearm.

Our rifles are stronger than their original versions due in part to improved steels as well as minor changes made to strengthen original design weakness and add safety features. However it is important to respect the safety rules, including the features of the cartridges and their maximum developed pressure.

Our rifles, according to the Italian Law, are proof tested at the National Firing Proof House according to the rules imposed by C.I.P. (International Proof Commission); proof test pressure is 30% superior to the maximum pressure of a commercial cartridge. (Pmax)

Commercial cartridges Pmax pressure is measured in BAR, and it is the maximum pressure **NEVER TO BE EXCEEDED** during the normal use of the gun.

The equivalent maximum pressure value of the commercial cartridge measured according to the English/American P.S.I. / C.U.P. system, it is obtained multiplying the BAR value x 14,5037.

The list below, complying with the C.I.P. charts, represents the maximum pressure to be developed by a COMMERCIAL CARTRIDGE to be used with our guns, in the various calibers. The below mentioned data are compared to the Crusher (C.U.P) / P.S.I method.

IN NO CASE SHOULD THE CARTRIDGES EXCEED SUCH VALUES OR THOSE SET FOR THE SPECIFIC MODEL RECOMMENDATIONS.

CALIBERS	PRESSURE BAR	PRESSURE C.U.P. / P.S.I
.30-30 Winchester	2800	40610
.30-40 Krag	2850	41335
.38-55 Winchester	2150	31183
.357 Magnum	3200	46412
.45 Long Colt	1100	15954
.45-70 Gvt	2000	29007
8x57 JRS	2900	42061
9,3x74 R	3000	43511

MALFUNCTIONS

The proper function of your firearm is directly related to care and maintenance and to the ammunition used. Your firearm has been designed to function with high quality ammunition produced to commercial standards. Some of the more common types of malfunctions which may occur are as follows:

- **MISFIRE:** a failure of the cartridge to ignite when the hammer falls.
CAUTION: if this occurs, keep the firearm pointed in a safe direction, wait 20 seconds, remove the cartridge from the chamber and dispose of it properly.
CAUSE: The most common cause of misfire is faulty ammunition.

- **FAILURE TO EXTRACT OR EJECT:** a fired case is not fully extracted from the chamber or ejected from the gun.
CAUTION: If this occurs, keep the firearm pointed in a safe direction, clear the gun by removing or emptying the magazine, if present, opening the action and removing any cartridge or cartridge case manually. Check the unloading procedures for each specific firearm.
CAUSE: The most common causes are a damaged extractor or ejector, black powder fouling or also powder and oil residues both in the chamber or on the extractor slides, or improperly loaded or sized cartridges. If any of the above problems cannot be corrected by cleaning the mechanism or by the use of another brand of ammunition, the firearm should be returned, unloaded, to your dealer with a full description of the problem. Do not attempt to make repairs or modifications since these can be completed only by a qualified gunsmith.

LOADING AND SHOOTING INSTRUCTIONS FOR 1859 & 1863 SHARPS RIFLES

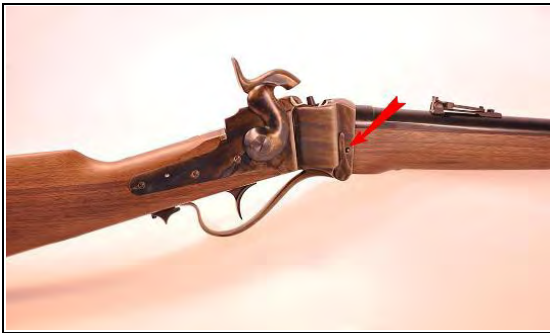
WARNING: BEFORE PROCEEDING ALWAYS MAKE SURE THE FIREARM IS UNLOADED AND POINTED IN A SAFE DIRECTION.

See exploded view at pages 57 , 59 of this booklet.

The exploded view drawing shows the SHARPS SPORTING model, but the suggestions apply for all 1859 & 1863 Sharps rifles.

FIELD STRIPPING

- 1) With the action (part. # 37) **OPEN**, place the hammer (part. # 4) in the half-cock position. You will notice a tiny plunger pin (part. # 49) located on the right side of the frame. (picture #1)



picture #1

- 2) The lever hinge pin (part. # 48) is located on the lower front of the frame on the right-hand side of the rifle. While pushing in on the tiny plunger pin, rotate the arm of the lever hinge pin forward past the plunger pin, approximately 180 degrees from its original position. Turn the rifle upside down. While rotating forward and backward a few degrees, and pulling outward, remove the lever hinge pin. After the lever hinge pin has been removed, slide the lever and the breech block up and out of the rifle. To avoid that the hinge pin bumps against the forend (part. # 31), we suggest you disassemble the wood, loosening the screw (part. # 62) or remove the barrel's bands. (picture #2)



picture #2

- 3) You have now field stripped the rifle.
- 4) Reverse the above procedure for reassembly.

FURTHER DISASSEMBY SHOULD BE ATTEMPTED ONLY BY A COMPETENT GUNSMITH

CLEANING

- 1α) Remove block (part. # 37), see "*FIELD STRIPPING*".
- 2α) After the day's shooting, the sleeve (part. # 18 - in the rifles that still have this part) will need to be moved slightly into the chamber by using an appropriate tool (item USA 500). This is very important



If the sleeve is not cleaned and greased on a regular basis, due to carbon residues it will become fouled, stick, and no longer set back against the breech face to seal the breech and **THE GAS ESCAPE COULD INCREASE.**

Gas leaking around the gas check can do two things:

- ♦ it can possibly injure the shooter;
- ♦ it will gas cut the breech face and compound the problem.

- 1α) Periodically we suggest to remove the gas seal plate (part. # 38) to clean it properly from the powder residue. To remove it, use one simple screw driver working on the side of it. Clean it with a good solvent (item USA 487) and put it back in place, pushing it with a certain pressure.
- 2α) Use a good bore solvent to clean the bore and breech (item USA 487).
- 3α) Oil the bore and breech with a good grade of oil (item USA 489).
- 4α) Put a thin coat of grease on the gas check and make it rotate and slide it back into the breech.
- 5α) Replace the block.

The seal plate has been covered with a particular product, which helps to resist the high temperature produced by the black powder combustion inside the chamber and thus reducing the "ring" appearance on the plate. The use of a loaded brass case will also reduce such high temperature developed in the area.

ATTENTION: THE GAS CHECK CANNOT BE REMOVED COMPLETELY.

GAS CHECK MOVING TOOL - ITEM USA 500



This new tool has been made to ease the partial removal of the gas check placed inside the chamber of 1859 SHARPS.

As we always recommended the gas check must be kept clean and oiled for its contact into the chamber. However a complete removal is possible only disassembling the barrel, **WHICH MUST BE DONE BY A GUNSMITH.**

An ordinary and efficient maintenance is obtained moving the gas check forwards and backwards, making it rotate, cleaning and oiling it to avoid its sticking inside the chamber due to possible rust caused by the combustion residues.

Such maintenance can be performed with an unloaded rifle, after having removed the breech block.

The moving tool is made by a rod having a conic threaded part and a threaded cylinder, vertically cut in two parts which are united by two rubber rings.

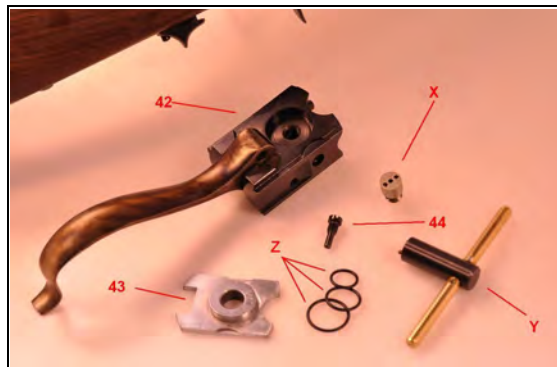
One of this two parts is equipped with a perpendicular pin.

Insert the moving tool into the gas check up to the further rubber ring, rotate the rod clockwise. The pin touching the frame will react enabling the expansion of the two halves inside the gas check, such to move it forwards and backwards.

After the cleaning, it will be sufficient to counter clock the rod to unscrew it and reduce the expansion of the two halves and extract the tool.

SHARPS PERCUSSION RIFLES WITH REPLACEABLE IGNITION VENT HOLE

The breech block of the Sharps Percussion Rifles now comes with a replaceable ignition vent hole (see part X in picture #3) and the proper wrench to disassemble it (see Y in picture #3).



picture #3

WARNING: DO NOT ATTEMPT TO REMOVE OR REPLACE THE IGNITION VENT HOLE UNIT, THIS SHOULD ONLY BE DONE BY A QUALIFIED GUNSMITH THAT KNOWS PEDERSOLI FIREARMS.

CAUTION

- ◆ We strongly recommend you point the muzzle downrange in a safe direction **BEFORE** attempting to load and fire the rifle.
- ◆ To place the rifle on safe, slowly drop the hammer in the half-cock position. We strongly recommend not loading the rifle until you are in the hunting field, or on the target range and you are ready to shoot safely.

- ◆ Insure that the nipple and vent are clean and clear of oil or other obstructions prior to loading.

LOADING AND FIRING

- 1b) Place the rifle on safe, by placing the hammer in the half cock position. Extend the lever downward, fully opening the breech. Carefully insert one bullet of proper caliber into the breech, allowing it to firmly seat into the front of the chamber. Slightly overfill the remaining chamber with black powder (or Pyrodex, if allowed in your Country) previously prepared with the proper measurer (item USA 196). (picture #4)



picture #4

MAXIMUM LOADS SHOULD NOT EXCEED 60 GRAINS IN .45 CALIBER OR 80 GRAINS IN .54 CALIBER.

All powder grain weights given are for Swiss n.3 black powder.

MAKE SURE THAT THE CHAMBER IS COMPLETELY FILLED WITH POWDER TO AVOID ANY EMPTY SPACE BETWEEN POWDER AND BALL.

The chamber should hold approximately 50 to 60 grains of black powder in .45 caliber, and 60 to 80 grains in .54 caliber. Actual powder capacity can vary, depending on bullet type, or configuration.

NOTE: A PAPER CARTRIDGE CAN BE INSERTED IN THE CHAMBER INSTEAD OF THE BULLET AND POWDER METHOD AT THIS TIME; *to make a paper cartridge, we suggest you consult the specialized manuals for black powder loads. (picture #5)*

NOTE: A PEDERSOLI BRASS CASE (CODE : USA517-451 , USA517-54A , USA517-54B) CAN BE INSERTED IN THE CHAMBER INSTEAD OF THE BULLET AND POWDER METHOD AT THIS TIME; *You can find how to make a pedersoli brass case to the page 15 of this book. (picture #6)*



picture #5



picture #6

- 2b) With the barrel pointed straight down, tap the rifle a few times to allow the powder to settle in the chamber, (if using the paper cartridge method, push the cartridge firmly into the cylinder, slightly compacting the powder and insuring that the paper cartridge you allow to make a complete charge and that there are no empty spaces inside the chamber). With the barrel still pointed down, carefully close the breech. Keeping the gun horizontal, turn the rifle right or left with the muzzle pointed downrange in a safe direction, so any excess paper and powder will fall away from the top of the breech and onto the ground.
- 3b) With the barrel pointed safely downrange, cap the rifle with musket cap and fully cock the hammer (picture #7). While pointing at your target, slowly pull on the **REAR** trigger until it sets. While aiming at your target, slowly pull the **FRONT** trigger and your rifle will fire (picture #8)



picture #7



picture #8

- 4b) In the event the rifle does not fire, keep the gun pointed toward the target, for a period of at least **ONE MINUTES**, or until you are sure that the **CHARGE IS "DEAD"** and the chance of a hangfire has passed. After placing the rifle on safe, remove the musket cap and verify that the powder fills all the space in the chamber and repeat the shot. If the rifle continues to misfire, unloading may be necessary. See "*UNLOADING PROCEDURE*" below.
- 5b) **WARNING:** During the loading it may happen that some black powder trickle down into the bottom of the forend in spite the cleaning as mentioned at the point 2b). A periodical control, disassembling the forend is recommended to avoid any black powder cumulous. If powder gets into this area, there is a chance that the flash from the cap communicating with the now accumulated powder at the gas seal, **COULD EXPLODE** causing **DAMAGE TO THE RIFLE** and **INJURY TO THE SHOOTER**.

To disassemble the forend, loosen the screw (part. # 62), or remove the barrel's bands.

To adjust and use the set trigger and for sighting adjustment, see section "GENERAL TECHNICAL INSTRUCTIONS" in this booklet.

UNLOADING PROCEDURE

- 1c) We suggest not to open the breech block when the rifle is loaded, but if you have to, make sure to follow the instructions below.
- 2c) With the barrel pointed in a safe direction, place the hammer on safe position :

UNLOADING A LIVE ROUND



EXTREME CARE MUST BE TAKEN WHEN RETURNING A FULLY COCKED HAMMER TO THE HALF COCK POSITION IF YOU HAVE A LOADED ROUND IN THE CHAMBER.

- 1) If you decide not to shoot a loaded round keep your fingers off the trigger area and keep the muzzle pointed in a safe direction.
- 2) Get a firm grasp of the hammer spur with your thumb and pull slightly rearward.(picture #A)



picture #A

- 3) Pull the front trigger, while keeping control of the hammer, and gently ease the hammer forward all the way down. (picture #B)



picture #B

- 4) Release pressure on the trigger and immediately pull the hammer slowly back and into the half cock position.
- 5) Once the hammer is in the half cock position, lower the lever and remove the live round.

PRACTICE THIS PROCEDURE WITHOUT LIVE AMMUNITION UNTIL YOU HAVE MASTERED THIS PROCEDURE

- 3c) **CAREFULLY** remove the musket cap. After the cap has been removed, point the muzzle toward the ground. Tap the rifle a few times to settle the powder back towards the front of the main chamber. This will allow you to open the breech without pulling powder which would normally settle in the chamber and into the gas seal.
- 4c) With the barrel still pointing down, and after the rifle has been tapped a few times, carefully draw down the slide and open the breech. Turn the rifle upside down so the powder will flow down, away from the forend and out of the top of the breech, inside a water filled bowl to avoid that the black powder may get spilled on the ground. **FOREND SHOULD BE UP AND TOP OF THE BREECH SHOULD BE FACING DOWN. DO NOT** allow powder to trickle down into the bottom of the breech or the forend. Check and clean the parts disassembling the breech block and the forend.
- 5c) Use a wooden dowel or ramrod to push the bullet from the muzzle out of the chamber.
- 6c) Clean and inspect the vent and nipple before reloading. Fire a couple of caps through the unloaded rifle to aid clearing out the nipple and vent, prior to loading.

WARNING: **MAKE SURE THERE IS NO SMOLDERING PAPER RESIDUE LEFT IN CHAMBER** before loading again.

BRASS CASES LOADING which help the reduction of the gas escape

As an alternative to the traditional paper cartridge we offer new brass cases for the .45 caliber (item USA 517-451) and for the .54 caliber modern style bullet (item USA 517-54A) and for original style bullet (item USA 517-54B).

The modern style bullet (item USA 524) and the original style bullet (item USA 519) have a different shape. The first have a more cylindrical section than the second therefore it catches first with the rifling through the free bore, while the second gets into the rifling having the bottom base section in the free bore. This is the reason of two brass cases for the .54 caliber USA 517-54A shorter, but with a larger diameter for the modern bullet and USA 517-54B longer with a less wide diameter. In spite the different lengths the inside volume is the same.

- 1d) To load the brass cartridge cases we suggest a black powder charge of 47÷50 grs for .45 caliber and of 52÷55 grs for .54 caliber. The indicated loads refer to the Swiss n.2 black powder; the amount can vary, depending on the type of black powder (or Pyrodex, if allowed in your Country) as well as on the length or configuration of bullet being used.
- 2d) To prevent powder grains falling through the flash hole of the case, place a small piece of "cigarette" paper inside the case and covering the flash hole.
- 3d) Pour in the powder charge so that the powder level is slightly above the bullet seating shoulder and carefully press in the lubricated bullet so it is fully seated against the shoulder in the brass case and also in full contact with the black powder. **THERE MUST NEVER BE ANY AIR SPACE BETWEEN THE POWDER AND THE BASE OF THE BULLET** as dangerous pressures can occur if any air space exists. For this reason the powder must always be compressed at least a small amount.
- 4d) After loading the cartridge case into your rifle, punch a small hole through the paper to allow the primer flash to reach the powder effectively. Make sure that any small powder quantity does not trickle down the breech block, in case wipe it away.

To make the bullet for our brass cases, we offer the steel bullet block which can be equipped with wooden handles and the already made bullets packed in 50 units. The same bullets can be used to make the paper cartridges, as originally intended.

CALIBER	BRASS CASE OUR CODE	BULLET MOULD OUR CODE	50 BULLETS BOX OUR CODE	BULLET DESIGN / WEIGHT
.45	USA 517-451	USA 319-458	USA 519-458	Original design / 380 grs
.54	USA 517-54A	USA 317-541	USA 524-541	Modern design / 525 grs
.54	USA 517-54B	USA 319-541	USA 519-541	Original design / 530 grs

LOADING AND SHOOTING INSTRUCTIONS FOR 1874 SHARPS RIFLES

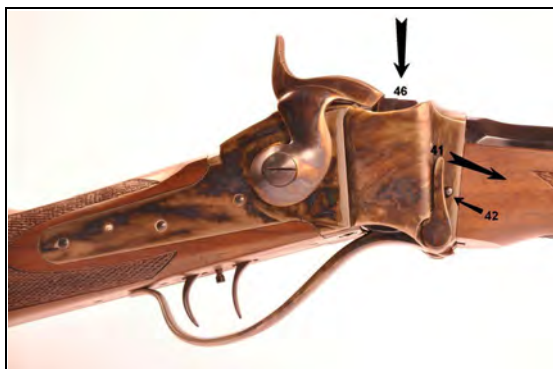
WARNING: BEFORE PROCEEDING ALWAYS MAKE SURE THE FIREARM IS UNLOADED AND POINTED IN A SAFE DIRECTION.

See exploded view at page 60 , 62 of this booklet.

The exploded view drawing shows the SHARPS SPORTING model, but the suggestions apply for all 1874 Sharps rifles.

FIELD STRIPPING

- 1) With the action (part. # 46) **OPEN**, place the hammer in the half-cock position. You will notice a tiny plunger pin (part. # 42) located on the right side of the frame.
- 2) The lever hinge pin (part. # 41) is located on the lower front of the frame on the right-hand side of the rifle. While pushing in on the tiny plunger pin (part #42), rotate the arm of the lever hinge pin forward past the plunger pin, approximately 180 degrees from its original position. Turn the rifle upside down. While rotating forward and backward a few degrees, and pulling outward, remove the lever hinge pin. After the lever hinge pin has been removed, slide the lever and the breech block up and out of the frame (pictures #9 and #10).To avoid that the hinge pin bumps against the forend (part. # 30), we suggest you disassemble the wood, loosen the screw (part. # 28) or remove the barrel's bands.



Picture #9



picture #10

- 3) You have now field stripped the rifle.
- 4) Reverse the above procedure for reassembly.

FURTHER DISASSEMBLY SHOULD BE ATTEMPTED ONLY BY A COMPETENT GUNSMITH

CAUTION

- ◆ We strongly recommend you practise the procedure of placing the rifle on safe **BEFORE** attempting to load and fire the rifle.
- ◆ To place the rifle on safe, slowly drop the hammer in the half-cock position. We strongly recommend not loading the rifle until you are in the hunting field, or on the target range and you are ready to shoot safely.
- ◆ Whenever the hammer is fully down, the firing pin will remain pushed forward in contact with the primer. If you now lowered the breech block with the firing pin in contact with the primer, the firing pin would be dragged across the cartridge rim, causing a score mark in the brass case as well as possibly damaging the firing pin or even firing if a loaded cartridge is inserted.

We suggest that after firing a shot, the hammer be pulled back into half cock position and then the lever operated to fully lower the breech block, ejecting the fired case.

LOADING AND FIRING

- 1a) Use only factory loaded ammunition, C.I.P ruled or reload with black powder (or Pyrodex, if allowed in your Country), in the gun's caliber.
The .45-70 caliber can be loaded with commercial smokeless factory made ammunition, not exceeding the 29.007 C.U.P. / P.S.I. or reloaded cartridges with black powder (or Pyrodex, if allowed in your Country) not exceeding the 25.000 C.U.P./P.S.I.
- 2a) To load the rifle, first point the muzzle downrange in a safe direction. Place the rifle on safe, by placing the hammer in the half-cock position (1st. Click) (picture #11). Extend the lever downward, fully opening the breech (picture #12). Carefully insert one cartridge of the proper caliber completely into the breech (picture #13) and close the action, pulling back the lever (picture #14). You are now ready to fire the rifle.



Picture #11



picture #12



picture #13



picture #14

3a) To fire, point the rifle downrange toward your target and fully cock the hammer (2nd. Click) (picture #15). While pointing at your target, slowly pull on the **REAR** trigger until it sets (picture #16). While aiming at your target, slowly pull the **FRONT** trigger (picture #17) and your rifle will fire.



Picture #15



picture #16



picture #17

To adjust and use the set trigger and for sighting adjustment, see section “GENERAL TECHNICAL INSTRUCTIONS” in this booklet.

BLACK POWDER RELOADING FOR SHARPS RIFLES .40-65 / .45-90 / .45-110 / .45-120 / .50-70 / .50-90 CALIBERS AND OTHERS

Sharps rifles .40-65, .45-90, .45-110, .45-120, .50-70 or .50-90 calibers has been manufactured for the use of cartridges exclusively reloaded with **BLACK POWDER** (or Pyrodex, if allowed in your Country), as is indicated by the stamped writing on the barrel **BLACK POWDER CARTRIDGE ONLY**, not to exceed the 25.000 C.U.P./ P.S.I.

For reloading data, we suggest to consult Lyman Handbook for reloading or any other recognized reloading manual.

UNLOADING A LIVE ROUND



EXTREME CARE MUST BE TAKEN WHEN RETURNING A FULLY COCKED HAMMER TO THE HALF COCK POSITION IF YOU HAVE A LOADED ROUND IN THE CHAMBER.

- 1) If you decide not to shoot a loaded round keep your fingers off the trigger area and keep the muzzle pointed in a safe direction.
- 2) Get a firm grasp of the hammer spur with your thumb and pull slightly rearward.(picture #A)



picture #A

- 3) Pull the front trigger, while keeping control of the hammer, and gently ease the hammer forward all the way down. (picture #B)



picture #B

- 4) Release pressure on the trigger and immediately pull the hammer slowly back and into the half cock position.
- 5) Once the hammer is in the half cock position, lower the lever and remove the live round.

PRACTICE THIS PROCEDURE WITHOUT LIVE AMMUNITION UNTIL YOU HAVE MASTERED THIS PROCEDURE

LOADING AND SHOOTING ISTRUCTIONS FOR ROLLING BLOCK RIFLES

WARNING: BEFORE PROCEEDING ALWAYS MAKE SURE THE FIREARM IS UNLOADED AND POINTED IN A SAFE DIRECTION.

See exploded view at pages 63 , 65 of this booklet.

The exploded view drawing shows the ROLLING BLOCK L.R. CREEDMOOR RIFLE, but the suggestions apply for all our Rolling Block models.



CAUTION

- ◆ We strongly recommend you to practise the procedure of placing the rifle on safe **BEFORE** attempting to load and fire the rifle.
- ◆ To place the rifle on safe, slowly drop the hammer in the half-cock position. We strongly



recommend not loading the rifle until you are in the hunting field, or on the target range and you are ready to shoot safely.

LOADING AND FIRING

- 1) Use only factory loaded ammunition C.I.P ruled or reloaded with black powder (or Pyrodex, if allowed in your Country), of the rifle's caliber.
The .45-70 caliber can be loaded with commercial smokeless factory made ammunition, not exceeding the 29.007 C.U.P. /P.S.I. or reloaded cartridges with black powder (or Pyrodex, if allowed in your Country) not exceeding the 25.000 C.U.P./P.S.I.
- 2) To fire, point the rifle downrange towards your target. Fully cock the hammer (picture #18) and then rotate the breech block (part. # 13)(picture #19). During rotation, the firing pin will drop back, because of the lever action (part. # 15).



picture #18



picture #19

- 3) Carefully insert one cartridge completely into the breech and close the breech block, by rotating it forward. You are now ready to fire the rifle. (picture #20)



picture #20

- 4) Because of Rolling Block particular system, the hammer will not touch the firing pin unless the breech block is completely closed. The hammer will be activated by pulling the trigger.

To adjust and use the set trigger and for sighting adjustment, see section "GENERAL TECHNICAL INSTRUCTIONS" in this booklet.

BLACK POWDER RELOADING FOR ROLLING BLOCK RIFLES .40-65 / .45-90 / .45-110 / .45-120 .50-70 / .50-90 CALIBERS AND OTHERS

Rolling Block rifles .40-65, .45-90, .45-110, .45-120, .50-70 or .50-90 caliber has been manufactured for the use of cartridges exclusively reloaded with **BLACK POWDER** (or Pyrodex, if allowed in your Country), as it is indicated by the stamped writing on the barrel **BLACK POWDER CARTRIDGE ONLY**, not exceeding 25.000 C.U.P./ P.S.I.

For reloading data, we suggest to consult Lyman Handbook for reloading or any other recognized reloading manual.

DISASSEMBLING THE FRAME

Tools required:

- Medium and small screwdrivers
- Hammer
- 1/4" brass punch
- 1/16" steel punch

(N/E)=NOT ESSENTIAL

- 1α) (N/E) - Undo the screws (part. # 33) at the top rear, on stocks with pistol grip also at the bottom rear (# 38) of the tang, loosen the small rear peep sight plug screw (# 39) pull the butt stock off, it may be tight so slap the front of the comb with your hand.
- 2α) Looking at the left side of the receiver (part. # 1) you will see the hammer and breech block axis pins (part. # 11+12); in-between is a locking plate (fig. 2a). Remove the screw (part. # 31) that secures it (picture #21) and take the plate off (part. # 30) (picture #22). Note both pins have flat faces that engage with the sides of the plate to stop them rotating. These face inwards (fig. 2b).



picture #21



picture #22

- 3α) Cock the hammer (part. # 10) and drive or push out the forward (breech block) anterior axis pin to the left with the brass punch. As the pin clears the block (part. # 13) will jump up slightly (fig. 3a).
- 4α) Lift the breech block up and out (fig. 3b). (picture #23)



picture #23

- 5α) With the block out you can pull the extractor plate (part. # 16) off from its left side.

- 6α) Lower the hammer and push it down/forward past its normal position and tap or push out its pivot pin to the left and lift it up and out (fig. 4). (picture #24)



picture #24

- 7α) N/E – Undo the two screws at the front and rear of the left side of the receiver (lower edge) and pull the trigger mechanism out (part. # 19). These can be very tight, so it's important to use the correct screw driver.

And that's pretty much that. At this stage you have access to the breech block should you need to remove the firing pin. This task is achieved using the $\frac{1}{16}$ " punch. All you do is drift out the lower cross pin to remove the firing pin retractor.

BACK TOGETHER:

For breech block and hammer insertion, both axis pins go in from the left and their milled ends have to be inwards facing.

- 1β) Reposition the trigger plate and install the front retaining screws.
- 2β) Drop in the hammer and push it forward so you can insert the axis pin through the left side of the receiver. Once in position push a long screwdriver up through the rear of the action to ensure the main spring engages the lobe at the rear of the hammer. Install the rear retaining screw in the trigger plate.
- 3β) Replace the extractor plate into the track on the left side of the breech block and cock the hammer.
- 4β) In this position, slide the block back in and align and insert its pivot pin. Downwards pressure must be applied to the block to allow easy insertion.
- 5β) Re-position the plate between the pivot pins and install the retaining screw. This can only be achieved if both flats are facing inwards.
- 6β) Install the butt stock and insert the stock screws.

LOADING AND SHOOTING INSTRUCTIONS FOR 1873/1875 SPRINGFIELD TRAPDOOR RIFLES

WARNING: BEFORE PROCEEDING ALWAYS MAKE SURE THE FIREARM IS UNLOADED AND POINTED IN A SAFE DIRECTION.

See exploded view at page 68 , 70 of this booklet.

The exploded view drawing shows SPRINGFIELD TRAPDOOR OFFICER RIFLE, but the suggestions apply for all Trapdoor models.

CAUTION

- ◆ We strongly recommend you to practise the procedure of placing the rifle on safe **BEFORE** attempting to load and fire the rifle.
- ◆ To place the rifle on safe, slowly drop the hammer in the safe half-cock position. We strongly recommend not loading the rifle until you are in the hunting field, or on the target range and you are ready to shoot safely.
- ◆ With this rifle the hammer has four positions, (except the Officer model, which has three of them, lacking of the safety position 1st. Click):



a) Fired position.



b) Safe position.



c) Half cock position (used to open breech).



d) Full cock, ready to fire.

LOADING AND FIRING

- 1) Use only factory loaded .45-70 ammunition C.I.P ruled or reloaded with black powder (or Pyrodex, if allowed in your Country). Ammunition used should not exceed 18,000 C.U.P.
- 2) Put hammer (part. # 21) at half cock. Keep finger off trigger (part. # 49).
- 3) Open action (part. # 15) by pushing forward and up on breech block release lever (part. # 14).
- 4) When open, inspect chamber and barrel to see that they are free of obstruction.
- 5) Insert cartridge into the chamber (picture #28). Make sure rim of cartridge does not go beyond extractor (part. # 7).



picture #28

- 6) Close action, making certain locking block is engaged (you can see it from the position of release lever, hammer must be able to swing over release lever) (picture #29)



picture #29

- 7) Return hammer to the safe position, keeping the thumb on it, while pulling the trigger. The hammer, in this position, should be over the release lever.
- 8) When ready to fire, bring hammer back to full cock. (picture #30)



picture #30

To adjust and use the set trigger and for sighting adjustment, see section "GENERAL TECHNICAL INSTRUCTIONS" in this booklet.

ENGAGING THE SAFETY OF YOUR RIFLE

If you have chambered a live round of ammunition and cocked the hammer to the fire position and decide not to fire the shot:

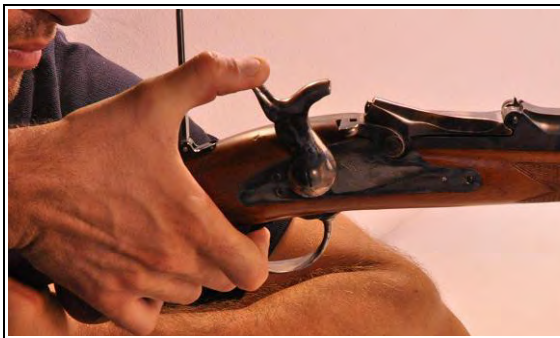
WARNING : EXTREME CARE MUST BE TAKEN TO PUT THE HAMMER BACK IN THE ON HALF COCK POSITION.

- 1) Keep your fingers out of the trigger area and keep the muzzle pointed in a safe direction. Then get a firm grasp of the hammer spur with your thumb and pull slightly rearward. (picture #A)



picture #A

- 2) Pull the trigger while keeping control of the hammer and gently and slowly let the hammer drop. (picture #B)



picture #B

Immediately, pull the hammer slowly rearward to the half cock position. Once in the half cock position , open the lever and remove the live round. Practice this procedure without live ammunition until you have mastered this procedure

PRACTICE THIS PROCEDURE WITHOUT LIVE AMMUNITION UNTIL YOU HAVE MASTERED THIS PROCEDURE

LOADING AND SHOOTING INSTRUCTIONS FOR 1886/71 LEVER ACTION

WARNING: BEFORE PROCEEDING ALWAYS MAKE SURE THE FIREARM IS UNLOADED AND POINTED IN A SAFE DIRECTION.

See exploded view at page 68 , 70 of this booklet.

CAUTION

- ◆ We strongly recommend you to practise the procedure of placing the rifle on safe **BEFORE** attempting to load and fire the rifle.
- ◆ To place the rifle on safe, slowly drop the hammer in the safe half-cock position. We strongly recommend not loading the rifle until you are in the hunting field, or on the target range and you are ready to shoot safely.

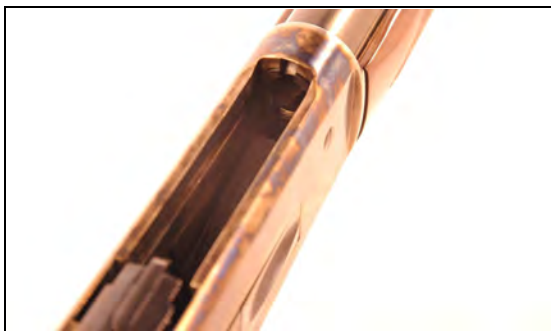
1)Always point the muzzle downrange in a safe direction **BEFORE** attempting to load and fire the rifle.

2)Before loading make sure the chamber is empty and no obstructions in the barrel. To do this, first place hammer in the half-cock position. (picture #31)



picture #31

3)Extend the lever downward, fully opening the action. Inspect the chamber. (picture #32)



picture #32

4)Do not load the rifle until you are ready to shoot safely.

LOADING THE TUBULAR MAGAZINE

⚠ WARNING: USE ONLY FLAT NOSE AMMUNITION. DURING RECOIL ROUND NOSE AND SPITZER (POINT NOSE) AMMUNITION CAN STRIKE THE ROUND AHEAD IN THE MAGAZINE AND CAUSE THE PRIMER TO DETONATE CAUSING DAMAGE TO THE GUN AND INJURY TO THE SHOOTER AND THOSE AROUND HIM. (PICTURE #33)



PICTURE #33

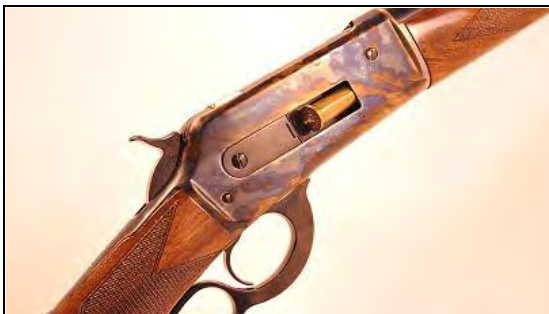
1)Point your rifle in a safe direction.

2)Make sure the lever is fully closed and in contact with the trigger plate. (picture #34)



picture #34

3)Press open the loading gate, insert round into the magazine and push it in until only the rim remains outside the loading gate. (**Picture #35**)



picture #35

4) Insert the next cartridge in the same manner, pushing the preceding cartridge into the magazine. (picture #36)



picture #36

Repeat the procedure until the last round and push this one past the end of the loading gate, allowing the gate to snap closed.

**DO NOT EXCEED THE RECOMMENDED CAPACITY OF THE MAGAZINE.(5 ROUNDS)
CHECK THE CARTRIDGE TO MAKE SURE IT IS OF CORRECT CALIBER AND DIMENSION**

LOADING THE CHAMBER

⚠ WARNING: ALWAYS KEEP YOUR FINGERS OUT OF THE TRIGGERGUARD AND AWAY FROM THE TRIGGER WHILE WORKING THE LOADING.

1)Point your rifle in a safe direction

2)To load a round in the chamber swing the lever down as far as it will go. The bolt will go back opening the action. (picture #37)



picture #37

3)Bring the lever back up until it touches the trigger guard, the bolt will return to the closed position chambering a round in the process. (picture #38)



picture #38

4) You are now ready to fire.

EMPTY CASE EJECTION AND RELOADING THE CHAMBER

To unload an empty case swing the lever down as far as it will go. The bolt will go back opening the action and ejecting the empty case. (picture #39)

Bring the lever back up until it touches the buttstock, the bolt will return to the closed position and chamber a new round in the process.



Picture #39

⚠ WARNING: ALWAYS KEEP YOUR FINGERS OUT OF THE TRIGGERGUARD AND AWAY FROM THE TRIGGER WHILE WORKING THE LOADING.

UNLOADING YOUR RIFLE

⚠ WARNING: YOU MUST KEEP YOUR FINGERS AWAY FROM THE TRIGGERGUARD AND AWAY FROM THE TRIGGER WHILE WORKING THE LEVER.

If after loading you decide not to fire your rifle you MUST UNLOAD all rounds from the chamber and the magazine.

To unload live rounds (unfired rounds) first point your rifle in a safe direction. Keep your fingers away from the trigger.

1) Swing the lever down as far as it will go. The bolt will go back opening the action extracting and ejecting the unfired case.

2) Bring the lever back up but DO NOT FULLY CLOSE THE LEVER. At his time you will have a round partially loaded in the chamber. (picture #40)



picture #40

3) Without closing the lever completely, swing the lever back down to eject the partially loaded round

4) Repeat steps 3 and 4 until all rounds have been ejected from the magazine. Cycle the lever two or three times extra t make sure no cartirge remains in the magazine.

5) Visually inspect the chamber to confirm it is empty.

NOTE: THIS RIFLE HAS A SAFETY THAT PREVENTS THE FIRING PIN FROM MOVING FORWARD UNLESS THE LEVER IS COMPLETELY CLOSED AND RESTING AGAINST THE TRIGGER PLATE THUS ENSURING THE BOLT IS ALSO COMPLETELY CLOSED

UNCOCKING THE HAMMER OF A LOADED GUN

⚠ WARNING: YOU MUST KEEP YOUR FINGERS AWAY FROM THE TRIGGERGUARD AND AWAY FROM THE TRIGGER WHILE WORKING THE LEVER.

- 1) If you decide not to shoot a loaded round keep your fingers off the trigger area and keep the muzzle pointed in a safe direction.
- 2) Get a firm grasp of the hammer spur with your thumb and pull slightly rearward. (picture #41)



picture #41

- 3) Pull the trigger, while keeping control of the hammer, and gently ease the hammer forward all the way down.
- 4) Release pressure on the trigger and immediately pull the hammer slowly back and into the half cock position.

FIRING YOUR RIFLE

Point the rifle downrange toward your target and fully cock the hammer. (picture #42)



picture #42

While pointing at your target, slowly pull the trigger until your rifle fires. (picture #43)



picture #43

LOADING AND SHOOTING INSTRUCTIONS FOR PEDERSOLI LIGHTNING

WARNING: BEFORE PROCEEDING ALWAYS MAKE SURE THE FIREARM IS UNLOADED AND POINTED IN A SAFE DIRECTION.

See exploded view at page 71 , 73 of this booklet.

AMMUNITION WARNING

- ◆ Use only factory loaded ammunition for the caliber specified on the firearms barrel. Use of different caliber ammunition may cause serious personal injury to you and people around you.
- ◆ Your gun has been designed for ammunition of a specific gauge or caliber do not alter the barrel, chamber, caliber or gauge for which your gun was designed.
- ◆ Be sure you never mix ammunition.
- ◆ Use only ammunition specifically recommended for your firearm.
- ◆ Do not re-utilize unexploded ammunition.

Davide Pedersoli rifles are stronger than their original versions due in part to improved steels as well as changes made to strengthen the original design and to add safety features. However you must always follow the safety rules, including the use of correct charges and their maximum developed pressure.

Davide Pedersoli rifles are manufactured in Italy and, according to Italian Law, are proof tested at the National Firing Proof House according to the rules imposed by C.I.P. (International Proof Commission). Proper marks of the tests are stamped both on the barrel and the receiver of the rifle.

Commercial cartridges Pmax pressure is measured in BAR in Europe and PSI in the USA, and it is the maximum pressure NEVER TO BE EXCEEDED during the use of the gun.

You can obtain the equivalent maximum pressure value of the commercial cartridge measured in P.S.I. by multiplying the BAR value x 14,5037.

The list below complies with the C.I.P. charts, and shows the maximum pressure allowed for commercial cartridges to be used with Davide Pedersoli guns, in the various calibers. The below mentioned data is presented in BAR and PSI values.

⚠ WARNING: IN NO CASE SHOULD THE CARTRIDGES EXCEED SUCH VALUES OR THOSE SET FOR THE SPECIFIC MODEL RECOMMENDATIONS.

CALIBERS	PRESSURE BAR	PRESSURE C.U.P. / P.S.I
.357 Magnum	3200	46412
.45 Long Colt	1100	1595
.44-40	1000	14503

PROPER AMMUNITION FOR YOUR PEDERSOLI LIGHTNING RIFLE

⚠ WARNING: USE ONLY FLAT NOSED AMMUNITION IN THIS RIFLE. NEVER USE ROUND, POINTED OR CONICAL BULLETS IN A TUBULAR MAGAZINE; RECOIL CAN CAUSE THE BULLET TO DETONATE THE PRIMER OF THE ROUND AHEAD OF THEM IN THE MAGAZINE CAUSING DAMAGE TO THE GUN AND INJURY TO THE SHOOTER AND THOSE AROUND HIM.

1) Use only flat point bullets with smooth sides and properly crimped. (picture #44)



picture #44

2) Do not use bullets with edges or not properly crimped as they will not feed smoothly into the chamber (picture #45 and picture #46)



picture #45



picture #46

NOTE: .357 Magnum ammunition should have a total length of at least 1.54"

⚠ WARNING: USE ONLY PROPERLY CRIMPED BULLETS IN THIS RIFLE AND ALL RIFLES WITH TUBULAR MAGAZINES. RECOIL CAN PUSH BULLETS BACK INTO THE CASE COMPRESSING THE POWDER CHARGE AND INCREASING PRESSURE.

LOADING AND UNLOADING YOUR RIFLE

⚠ WARNING: USE ONLY FLAT NOSED AMMUNITION IN THIS RIFLE. NEVER USE ROUND, POINTED OR CONICAL BULLETS IN A TUBULAR MAGAZINE; RECOIL CAN CAUSE THE BULLET TO DETONATE THE PRIMER OF THE ROUND AHEAD OF THEM IN THE MAGAZINE CAUSING DAMAGE TO THE GUN AND INJURY TO THE SHOOTER AND THOSE AROUND HIM.

- 1) Always point the muzzle downrange in a safe direction BEFORE attempting to load and fire the rifle.
- 2) Before loading your rifle make sure the chamber and magazine are empty and there are no obstructions in the barrel.

Loading the magazine

- 1) Point your rifle in a safe direction and KEEP your fingers out of the trigger guard and away from the trigger at all times.
- 2) Make sure the hammer is fully down and in contact with the bolt. (picture #47)



picture #47

- 3) Grab the forend (36) with the left hand and, while keeping your fingers away from the trigger draw it to the rear until the action is fully open. (picture #48)



picture #48

- 4) Insert a cartridge through the loading gate located on the right side of the receiver (picture #49) and push until the "cartridge retaining lever" locks the cartridge in. You should hear an audible click when this happens.



Picture #49

- 5) Repeat step 4 until you fill the magazine. Note: Magazine capacity depends on your rifle's caliber and barrel length.
- 6) Once you finish loading the magazine push the forend forward until the bolt is fully closed. (picture #50)



picture #50

- 7) Carefully lower the hammer back into contact with the bolt. This will lower the "cartridge retaining lever" releasing a case for chambering the next time you actuate the forend.

NOTE: *Daive Pedersoli's Lightning rifles have a trigger-disconnect safety not included in the original Colt Lightning. When the hammer is fully lowered or the "cartridge retaining lever" found at the front of the trigger is pressed the "rocking arm" disconnects the trigger so the gun cannot fire. This safety avoids a dangerous condition known in original Lightning rifles as "slam firing" where the rifle would fire when a cartridge is loaded into the chamber while the trigger is being pressed.*

Loading the chamber

- 1) Point your rifle in a safe direction and keep your fingers away from the trigger.
- 2) Grab the forend and pull it all the way to the rear. This action will open the bolt and cock the hammer. (picture #51)



picture #51

3) Push the forend all the way forward to close the bolt and load a cartridge into the chamber.
(picture #52)



picture #52

4) Now with the bolt closed and the hammer fully cocked the trigger re-engages the sear and the rifle is READY TO SHOOT.

Case ejection and reloading the chamber

- 1) Point your rifle in a safe direction and keep your fingers away from the trigger.
- 2) Grab the forend and pull it all the way to the rear. This action will open the bolt and eject the empty case from the chamber.
- 3) Push the forend forward to close the bolt and load a new cartridge into the chamber.
- 4) With the bolt closed and the hammer fully cocked the trigger re-engages the sear and the rifle is READY TO SHOOT.

⚠ WARNING: ALWAYS KEEP YOUR FINGERS OUT OF THE TRIGGERGUARD AND AWAY FROM THE TRIGGER WHILE WORKING THE FOREND.

Unloading Live rounds

If after loading you decide not to fire your rifle you MUST UNLOAD all rounds from the chamber and the magazine.

- 1) To unload live rounds (unfired rounds) first point your rifle in a safe direction. Keep your fingers away from the trigger.
- 2) Press down the “cartridge retaining lever” located in the front of the trigger guard. (picture #53)



picture #53

- 3) While pressing down on the “cartridge retaining lever” grab the forend and pull it all the way to the rear. This action will open the bolt and eject the round from the chamber.
- 4) Without letting go of the lever return the forend to its forward position and pull it back again to eject another round.
- 5) Repeat steps 4 and 5 until you eject all rounds from the magazine and chamber.

UNCOCKING THE HAMMER OF A LOADED GUN

⚠ WARNING: YOU MUST KEEP YOUR FINGERS AWAY FROM THE TRIGGERGUARD AND AWAY FROM THE TRIGGER WHILE WORKING THE LEVER.

If you decide not to shoot a loaded round keep your fingers off the trigger area and keep the muzzle pointed in a safe direction.

Get a firm grasp of the hammer spur with your thumb and pull slightly rearward.

Pull the trigger, while keeping control of the hammer, and gently ease the hammer forward all the way down.

Release pressure on the trigger and immediately pull the hammer slowly back and into the half cock position. (picture #54)



picture #54

FIRING YOUR RIFLE

- 1) Point the rifle downrange toward your target and fully cock the hammer.
- 2) While pointing at your target, slowly pull the trigger until your rifle fires. (picture #55)



picture #55

DIS-ASSEMBLY AND RE-ASSEMBLY OF YOUR RIFLE

DO NOT DISASSEMBLE YOUR RIFLE. DISASSEMBLY SHOULD BE ATTEMPTED ONLY BY A COMPETENT GUNSMITH.

LOADING AND SHOOTING INSTRUCTIONS FOR PEDERSOLI HIGH WALL RIFLE

WARNING: BEFORE PROCEEDING ALWAYS MAKE SURE THE FIREARM IS UNLOADED AND POINTED IN A SAFE DIRECTION.

See exploded view at page 74 , 76 of this booklet.

SINGLE SET TRIGGERS

Your rifle may come with an adjustable Single set trigger.

⚠ WARNING: TRIGGER PULL MUST NEVER BE SET TO LESS THAN 3 LBS

How to “set” single set triggers: You ‘set’ the trigger by pushing it forward. At this point you can release the fully cocked hammer by applying a light pressure to the trigger.

⚠ WARNING: AN IMPROPERLY ADJUSTED SET TRIGGER MAY RELEASE THE FULLY COCKED HAMMER DUE TO A STRONG IMPACT TO THE MECHANISM. PROPERLY ADJUSTED SET TRIGGERS WILL NOT RELEASE THE COCKED HAMMER WITHOUT PULLING THE FIRING TRIGGER. READ CAREFULLY THE INSTRUCTIONS BELOW ON HOW TO PROPERLY MAKE TRIGGER ADJUSTMENTS.

⚠ WARNING: MAKE CERTAIN THE GUN IS UNLOADED BEFORE MAKING ANY ADJUSTMENTS.

AMMUNITION WARNING

- ◆ Use only factory loaded ammunition for the caliber specified on the firearms barrel. Use of different caliber ammunition may cause serious personal injury to you and people around you.
- ◆ If your firearm has “BLACK POWDER ONLY” stamped on the barrel you should ONLY USE GOOD QUALITY COMMERCIAL BLACK POWDER or A GOOD QUALITY COMMERCIAL BLACK POWDER SUBSTITUTE.
- ◆ Your gun has been designed for ammunition of a specific gauge or caliber do not alter the barrel, chamber, caliber or gauge for which your gun was designed.
- ◆ Be sure you never mix ammunition.
- ◆ Use only ammunition specifically recommended for your firearm.
- ◆ Do not re-utilize unexploded ammunition.

Our rifles are stronger than their original versions due in part to improved steels as well as changes made to strengthen the original design and to add safety features. However you must always follow the safety rules, including the use of correct charges and their maximum developed pressure.

All Davide Pedersoli rifles are manufactured in Italy and, according to Italian Law, are proof tested at the National Firing Proof House according to the rules imposed by C.I.P. (International Proof Commission). Proper marks of the tests are stamped both on the barrel and the receiver of the rifle.

Commercial cartridges Pmax pressure is measured in BAR in Europe and PSI in the USA, and it is the maximum pressure NEVER TO BE EXCEEDED during the use of the gun.

You can obtain the equivalent maximum pressure value of the commercial cartridge measured in P.S.I. by multiplying the BAR value x 14,5037.

The list below complies with the C.I.P. charts, and shows the maximum pressure allowed for commercial cartridges to be used with our guns, in the various calibers. The below mentioned data is presented in BAR and PSI values.

⚠ IN NO CASE SHOULD THE CARTRIDGES EXCEED SUCH VALUES OR THOSE SET FOR THE SPECIFIC MODEL RECOMMENDATIONS.

CALIBERS	PRESSURE BAR	PRESSURE C.U.P. / P.S.I
.38-55 Winchester	2150	31183
.45-70 Gvt	2000	29007

⚠ WARNING: High Wall rifles in calibers other than .45-70 Gvt (.38-55)

High Wall rifles in calibers other than .45-70 (.38-55) should only be shot with cartridges loaded with Black Powder (or a black powder substitute), as is indicated by the stamped writing on the barrel: **Black Powder Only**, and with pressures NOT TO EXCEED 25.000 P.S.I.

Reloading data for black powder cartridges can be found in Lyman's Reloading Handbook and other recognized reloading manual.

LOADING AND UNLOADING YOUR RIFLE

⚠ WARNING: NEVER LOAD OR UNLOAD THIS FIREARM WITH THE HAMMER FULLY COCKED, ALWAYS PUT THE HAMMER AT HALF-COCK.

⚠ WARNING: NEVER OPEN THE BREECH BLOCK WITH THE HAMMER DOWN, YOU COULD DAMAGE THE FIRING PIN OR EVEN FIRE THE GUN IF A LOADED CARTRIDGE IS IN THE CHAMBER.

1) Always point the muzzle downrange in a safe direction *BEFORE* attempting to load and fire the rifle.

2) Before you start to load this rifle you *MUST* put the hammer into the half-cock position (first click when pulling the hammer backward). (**picture #56**)



picture #56

- 3) Do not load the rifle until you are ready to shoot safely.
4) Whenever the hammer is fully down, the firing pin is pushed forward and in contact with the primer. (picture #57)



picture #57

- 5) DO NOT lower the breech block with the hammer down as you could damage the firing pin or even fire the gun if a loaded cartridge is in the chamber.

⚠ WARNING. NEVER OPEN OR CLOSE THE BREECH BLOCK WITH THE HAMMER RESTING AGAINST THE FIRING PIN. DOING SO COULD FIRE THE RIFLE IF YOU HAVE A ROUND IN THE CHAMBER.

LOADING YOUR HIGH WALL RIFLE

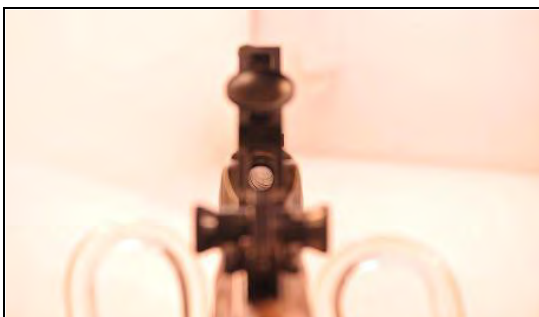
⚠ WARNING: USE ONLY FACTORY AMMUNITION IN THE GUN'S PROPER CALIBER AND CONFORMING TO SAAMI SPECIFICATIONS.

- 1) Before loading your rifle check the barrel for possible obstructions. To do this, first place the hammer in the half-cock position.
2) Extend the lever downward, fully opening the breech. (picture #58)



picture #58

- 3) Look into the chamber to make sure there are no obstructions in the barrel. (picture #59)



picture #59

- 4) Clean the barrel with a cotton patch to remove any oil or grease residues
- 5) Point the muzzle downrange in a safe direction.
- 6) Carefully insert one cartridge of the proper caliber completely into the breech . (picture #60)



picture #60

- 7) Close the action, pushing back up the lever. (picture #61)



picture #61

⚠ WARNING: DO NOT FORCE THE CARTRIDGE DURING CHAMBERING. THE CARTRIDGE SHOULD ALWAYS SLIDE EASILY INTO THE CHAMBER. DO NOT LOAD DIFFERENT CALIBER AMMUNITION THAN WHAT IS MARKED ON THE BARREL OF YOUR RIFLE.

- ◆ If a cartridge doesn't slide easily in the chamber, remove it and check the cartridge chamber to make sure it is not obstructed or ruined.
- ◆ Check the cartridge to make sure it is of correct caliber and dimension
- ◆ Do not use ammunition with a protruding primer, you risk accidentally shooting the ammo when closing the breech block.
- ◆ You are now ready to fire the rifle.

UNLOADING YOUR HIGH WALL RIFLE

- 1) After firing, put the hammer half cock position.
- 2) Lower the lever firmly and, while the breech block is falling the extractor will rotate and extract the cartridge from the chamber. (picture #62)



picture #62

- 3) *Pull the spent case out.*
- 4) *Always keep the muzzle pointed in a safe direction.*

UNLOADING A LIVE ROUND

⚠ WARNING: EXTREME CARE MUST BE TAKEN WHEN RETURNING A FULLY COCKED HAMMER TO THE HALF COCK POSITION IF YOU HAVE A LOADED ROUND IN THE CHAMBER.

- 1) *If you decide not to shoot a loaded round keep your fingers off the trigger area and keep the muzzle pointed in a safe direction.*
- 2) *Get a firm grasp of the hammer spur with your thumb and pull slightly rearward. (picture #63)*



picture #63

- 3) *Pull the front trigger, while keeping control of the hammer, and gently ease the hammer forward all the way down. (picture #64)*



picture #64

- 4) *Release pressure on the trigger and immediately pull the hammer slowly back and into the half cock position.*
- 5) *Once the hammer is in the half cock position, lower the lever and remove the live round.*

PRACTICE THIS PROCEDURE WITHOUT LIVE AMMUNITION UNTIL YOU HAVE MASTERED THIS PROCEDURE

FIRING YOUR RIFLE

1) *Point the rifle downrange toward your target and fully cock the hammer. (picture #65)*



picture #65

2) *While pointing at your target, and if your rifle has a Set Trigger, slowly push the trigger forward to "set" it. (picture #66)*



picture #66

3) *While pointing at your target, slowly pull the trigger until your rifle fires.*

DIS-ASSEMBLY AND RE-ASSEMBLY OF YOUR RIFLE

DO NOT ATTEMPT TO DISASSEMBLE YOUR HIGH WALL RIFLE, ANY DISASSEMBLY SHOULD ONLY BE ATTEMPTED BY A COMPETENT GUNSMITH.

LOADING AND SHOOTING INSTRUCTIONS FOR KODIAK MK IV RIFLE

WARNING: BEFORE PROCEEDING ALWAYS MAKE SURE THE FIREARM IS UNLOADED AND POINTED IN A SAFE DIRECTION.

See exploded view at page 77 , 79 of this booklet.

This is an "Express Rifle" with external hammers, which characteristics do not include a specific safety blocking the triggers and/or hammers. It is a rifle with the "REBOUNDED HAMMERS SAFETY", which automatically returns the hammer to a safe position after firing. This prevents the hammer from being able to move forward to contact the firing pins until the triggers are depressed. We might point out that the external hammer system is considered to be one of the safest guns, since it enables the user to visually tell whether the action is cocked and to cock the hammers only when he decides to shoot.

AMMUNITION WARNING

Use only factory loaded ammunition for the caliber specified on the firearms barrel. Use of different caliber ammunition may cause serious personal injury to you and people around you. Your gun has been designed for ammunition of a specific gauge or caliber do not alter the barrel, chamber, caliber or gauge for which your gun was designed. Be sure you never mix ammunition. Use only ammunition specifically recommended for your firearm. Do not re-utilize unexploded ammunition.

Davide Pedersoli rifles are stronger than their original versions due in part to improved steels as well as changes made to strengthen the original design and to add safety features. However you must always follow the safety rules, including the use of correct charges and their maximum developed pressure.

Davide Pedersoli rifles are manufactured in Italy and, according to Italian Law, are proof tested at the National Firing Proof House according to the rules imposed by C.I.P. (International Proof Commission). Proper marks of the tests are stamped both on the barrel and the receiver of the rifle.

Commercial cartridges Pmax pressure is measured in BAR in Europe and PSI in the USA, and it is the maximum pressure NEVER TO BE EXCEEDED during the use of the gun.

You can obtain the equivalent maximum pressure value of the commercial cartridge measured in P.S.I. by multiplying the BAR value x 14,5037.

The list below complies with the C.I.P. charts, and shows the maximum pressure allowed for commercial cartridges to be used with our guns, in the various calibers. The below mentioned data is presented in BAR and PSI values.

⚠ WARNING: IN NO CASE SHOULD THE CARTRIDGES EXCEED SUCH VALUES OR THOSE SET FOR THE SPECIFIC MODEL RECOMMENDATIONS.

CALIBERS	PRESSURE BAR	PRESSURE C.U.P. / P.S.I
.45-70 Gvt	2000	29007
8x57 JRS	2900	42061
9,3x74 R	3000	43511

SIGHTING

The rifle is equipped with an “*EXPRESS*” rear sight containing three sight leaves. The first leaf is fixed and is regulated for 50 meters. The two additional leaves provide extra sight elevation for use at distances greater than 50 meters. (picture #67)



picture #67

HOW TO ASSEMBLE YOUR RIFLE

- 1) Your Kodiak Mk IV rifle comes disassembled in a case. Unpack the rifle and clean all factory oil and lubricants.
- 2) Lightly oil all contact points.
- 3) Insert the barrels inside the action so that the hinge pin of the action fits into the slot in the receiver. (picture #68)



picture #68

- 4) Move the opening lever to the right and move the barrels smoothly and evenly to the closed position until the top lever returns to its closed position. (picture #69)



picture #69

5) Insert the forend below the barrels into the receiver and push with enough force to allow the forend to engage the barrel lug. (picture #70)



picture #70

Your gun is now assembled

HOW TO DISASSEMBLE YOUR RIFLE

1) Make sure the hammers are in the rest cock position. (picture #71)



picture #71

2) Pull the forend catch lever down (picture #72) or push the opening button (picture #73)



picture #72



picture #73

3) Pull the forend down and away from the receiver.

4) Move the opening lever to the right and move the barrels down and out of the receiver

WARNING: DO NOT ATTEMPT TO DISASSEMBLE YOU RIFLE FURTHER THAN WHAT IS RECOMMENDED IN THIS MANUAL, FURTHER DISASSEMBLY SHOULD ONLY BE ATTEMPTED BY A QUALIFIED GUNSMITH.

LOADING AND UNLOADING YOUR RIFLE

LOADING YOUR RIFLE

⚠ WARNING: YOUR KODIAK MK IV IS AN “EXPRESS RIFLE” WITH EXTERNAL HAMMERS AND NO TRIGGER OR HAMMER BLOCKING SAFETIES.

HAMMERS. Your Kodiak Mk IV rifle has “rebounding hammers” which automatically return to a **rest position** after firing. This prevents the hammers moving forward to contact the firing pins until the triggers are depressed. (picture #74)



picture #74

⚠ WARNING: NEVER FORCE THE TOP LEVER WHEN OPENING THE ACTION.

⚠ WARNING: THE TOP LEVER IN YOUR RIFLE DOES NOT ALIGN WITH THE BARRELS WHEN THE ACTION IS CLOSED, DO NOT TRY TO ALIGN IT BY FORCE AS YOU WILL DAMAGE THE RIFLE.

⚠ WARNING: USE ONLY FACTORY AMMUNITION IN THE GUN'S PROPER CALIBER AND CONFORMING TO SAAMI SPECIFICATIONS.

1) Before loading your Kodiak Mk IV rifle make sure the rifle is unloaded and the hammers are in the rest position.

2) Open the action, by rotating the top lever to the right and pushing the barrels downward. (picture #75)



picture #75

3) Look into the chambers to make sure there are no obstructions in the barrels. (picture #76)



picture #76

4) Clean the barrel with a cotton patch to remove any oil or grease residues.

5) Point the muzzle downrange in a safe direction.

6) Carefully insert one cartridge of the proper caliber completely into each chamber.(picture #77)



picture #77

**⚠ IF A CARTRIDGE DOESN'T SLIDE EASILY INTO THE CHAMBER, REMOVE IT AND CHECK THE CARTRIDGE CHAMBER TO MAKE SURE IT IS NOT OBSTRUCTED OR RUINED.
CHECK THE CARTRIDGE TO MAKE SURE IT IS OF CORRECT CALIBER AND DIMENSION
DO NOT USE AMMUNITION WITH PROTRUDING PRIMERS, YOU RISK ACCIDENTALLY SHOOTING THE AMMO WHEN CLOSING THE ACTION.**

7) Close the action by pushing the barrels up until they lock into the receiver. The opening latch should move to its fullylocked position. (picture #78)



picture #78

8) You are now ready to fire the rifle.

**⚠ WARNING: NEVER FORCE A CARTRIDGE DURING CHAMBERING. THE CARTRIDGE SHOULD ALWAYS SLIDE EASILY INTO THE CHAMBER.
DO NOT LOAD A DIFFERENT CALIBER AMMUNITION THAN WHAT IS MARKED ON THE BARREL OF YOUR RIFLE.**

UNLOADING YOUR RIFLE

⚠ WARNING: THE ACTION CANNOT BE OPENED IF THE HAMMERS ARE ON THE FULLY COCKED POSITION

- 1) After firing, make sure hammers are on the rest position.
- 2) Open the action, by rotating the top lever to the right and pushing the barrels downward.
- 3) On opening the action, the cases will be partially pushed out of the chambers. (
- 4) Pull the spent cases out. (picture #79)



picture #79

UNLOADING A LIVE ROUND

⚠ WARNING: EXTREME CARE MUST BE TAKEN WHEN RETURNING A FULLY COCKED HAMMER TO THE REST POSITION IF YOU HAVE A LOADED ROUND IN THE CHAMBER.

- 1) If you decide not to shoot a loaded round keep your fingers off the trigger area and keep the muzzle pointed in a safe direction.
- 2) Get a firm grasp of the hammer spur with your thumb and pull slightly rearward. (picture #80)



picture #80

NOTE. The FRONT trigger fires the RIGHT barrel and the REAR trigger fires the LEFT barrel.

3) Carefully pull the trigger while keeping firm control of the hammer and gently start to ease the hammer forward. (picture #81)



picture #81

4) Immediately release pressure on the trigger and continue lowering the hammer to the rest position. Repeat with the other hammer.

5) Once both hammers are in the rest position, open the action and remove the rounds as instructed before.

Practice this procedure without live ammunition until you have mastered this procedure

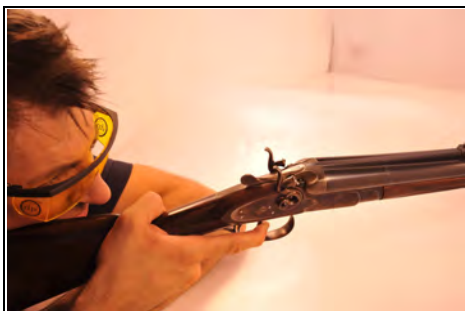
FIRING YOUR RIFLE

NOTE. The FRONT trigger fires the RIGHT barrel and the REAR trigger fires the LEFT barrel.

1) Point the rifle downrange toward your target.

2) While pointing at your target, carefully pull the hammer of the barrel you want to shoot to the fully cock position. (picture #82)

3) While pointing at your target, slowly pull on the trigger (front trigger for the right hammer or rear trigger for the left hammer) until it fires. (picture #83)



picture #82



picture #83

⚠ WARNING: NEVER FIRE BOTH BARRELS AT THE SAME TIME

⚠ WARNING: NEVER PUT A FINGER ON BOTH TRIGGERS AT THE SAME TIME AS YOU MAY ACCIDENTALLY FIRE BOTH BARRELS AT THE SAME TIME. ALWAYS USE ONE FINGER TO PULL ONE TRIGGER AND THEN MOVE THAT SAME FINGER TO THE OTHER TRIGGER TO FIRE THE SECOND SHOT.

LOADING AND SHOOTING INSTRUCTIONS FOR WYATT EARP

WARNING: BEFORE PROCEEDING ALWAYS MAKE SURE THE FIREARM IS UNLOADED AND POINTED IN A SAFE DIRECTION.

See exploded view at page 80 , 82 of this booklet.

This side by side shotgun is equipped with the safety device of **manual type, not with automatic safety**, that mechanically blocks the triggers. It is a shotgun with the “REBOUNTING HAMMERS SAFETY”, a feature that prevent the hammers to hit the firing pins, except the shooter decides to shoot, acting on the trigger and releasing the safety device. The external hammers shotgun is considered to be one of the most safe guns, because the shooter or hunter cocks the hammer only when decides to shoot.

Do not pull the trigger with the safety on, unless you are absolutly sure that the gun is unloaded and make sure it is pointed in a safe direction.

Shooting Selection

The right barrel shoots pulling the front trigger, the left barrel shoots pulling the rear trigger.

TOP LEVER

The top opening lever works on the self-adjustable locking lugs with precision into their seats in the barrel. The design of the locking lugs is such that allows a perfect locking of the barrels for a very long time.

For this reason and to protect the locking lugs and their seats in the barrel, the top lever should never be forced too much by the thumb to the locked position when closing the action. In a new gun a little angle between the top lever and the barrel is normal and planned in the design of the action.

Loading and Firing

- 1) Use only factory loaded ammunition, C.I.P. ruled of the correct shotgun's gauge. Unsuitable loaded shot shells can be extremely dangerous, the risk to damage the shotgun and causing injuries to the shooter or somebody closer.
- 2) Do not load dirty, wet, corroded, damaged cartridges into the shotgun.
- 3) Do not use lubricant, conserving or detergent substances with cartridges, as they may be dangerous.
- 4) The use of reloaded ammunition, hand loaded ammunition, out of the standards will void the warranty.
- 5) Check the correct gauge of the cartridges you are going to use in your shotgun, to avoid obstructing the barrels with the risk of blowing the barrel, seriously getting injured.

DAMAGED FIREARMS ARE DEADLY DANGEROUS, AN EXCESSIVE PRESSURE INTO THE CHAMBERS OR INTO THE BARREL DURING THE SHOOTING SECTION DUE TO OVER LOADED CARTRIDGES AND/OR BARRELS' OBSTRUCTION CAN BE VERY DANGEROUS. CHECK THE CORRECT ASSEMBLING OF THE BARRELS BEFORE TO USE THE SHOTGUN.

→ To open the shotgun turn the top lever to the right to open the barrel. Check the hammers are in the rest position before to open the shotgun and point the gun in a safe direction; should you need to lower the hammers, hold it with your thumb while you pull the corresponding trigger, keeping the thumb on the hammer, using some strength while slowly lowering it.

- Load one cartridge into each chamber, or into one of the chambers you decide to shoot and close the action.
- Cock the hammer corresponding to the barrel you want to shoot.

PLEASE MAKE SURE TO COCK THE HAMMER ONLY WHEN READY TO SHOOT AND POINTING THE SHOTGUN IN SAFE DIRECTION.

Care & Cleaning

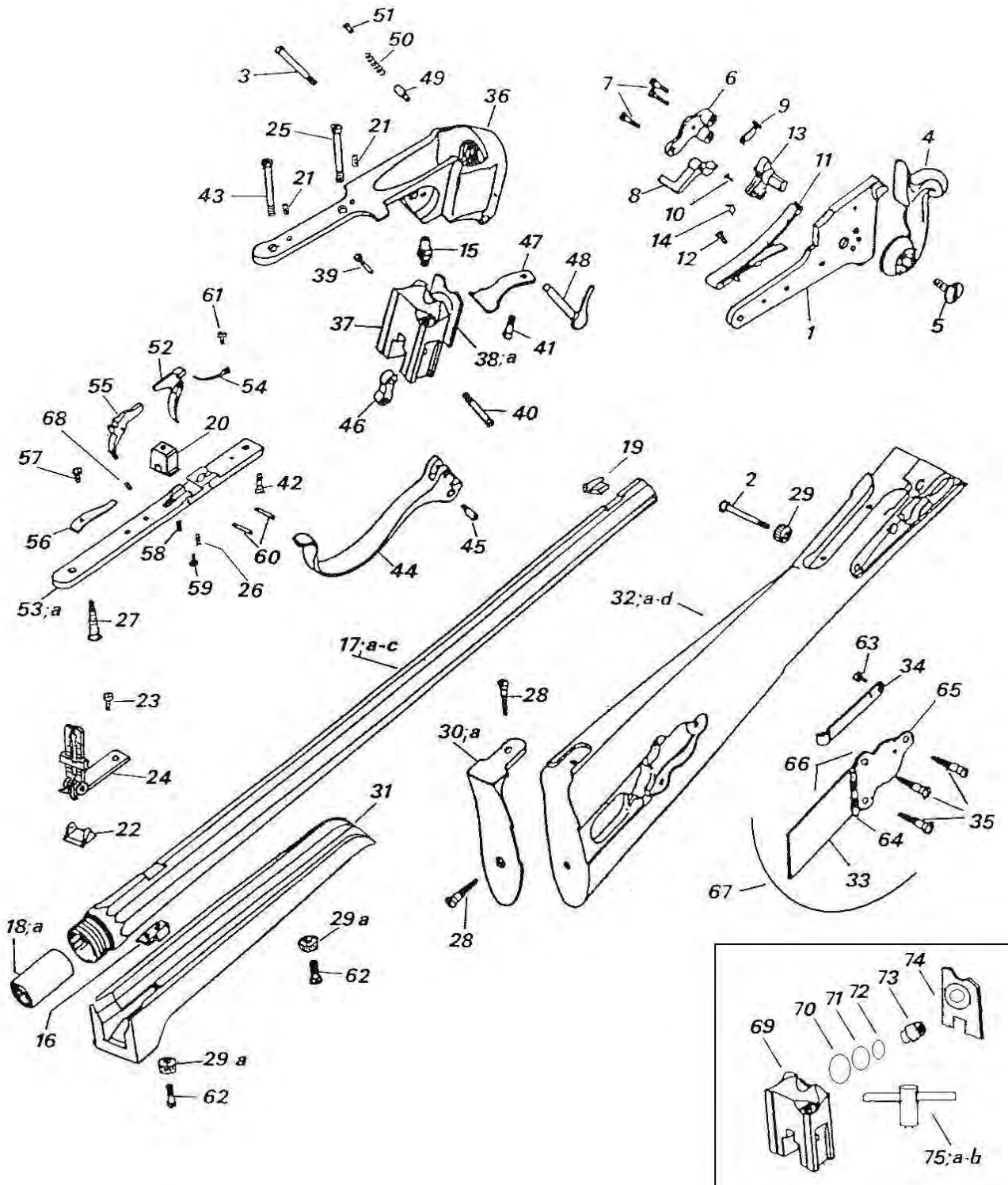
- ◆ Use a good quality solvent to remove all excess factory lubricant. Re-lubricate the mechanism with a quality spray type gun oil (item USA 489).
- ◆ Thoroughly clean the bore and remove all excess solvent and oil with dry cleaning patches (item USA 497) Replace them as necessary until they come out clean and dry. **NEVER FIRE THIS OR ANY OTHER FIREARM WITH OIL OR SOLVENT IN THE BORE.**
- ◆ During long periods of storage, a slight film of gun oil should be left into the barrel and the above cleaning procedure **MUST** be repeated before firing the weapon. **THE BARREL MUST ALWAYS BE CLEANED AND DRIED BEFORE SHOOTING.**
- ◆ With a similar procedure clean the inside of the action (particularly around the firing pin holes) and lubricate lightly.
- ◆ Clean with care the external surfaces of the gun to remove any trace of dirt, sweat or fingerprints. Apply a thin film of gun oil (item USA 489) with a flannel patch.

Assembly and Disassembly

- 1a) Remove the forend by pulling the catch lever.
- 2a) Be sure that the hammers are in the "rest" position.
- 3a) Assemble the barrels to the action so that lug fits into the action hinge pin slot.
- 4a) Move the top lever to the right and move the barrels smoothly and evenly to the closed position until the top lever returns to its closed position.
- 5a) Press the forend towards the barrels with enough force to allow the forend catch to engage the barrel lug.
- 6a) For **DISASSEMBLY**, follow the above procedure in reverse order paying attention not to rotate excessively the forend before you take it out by moving it towards the muzzle.

NO FURTHER DISASSEMBLY IS RECOMMENDED, UNLESS DONE BY A COMPETENT GUNSMITH.

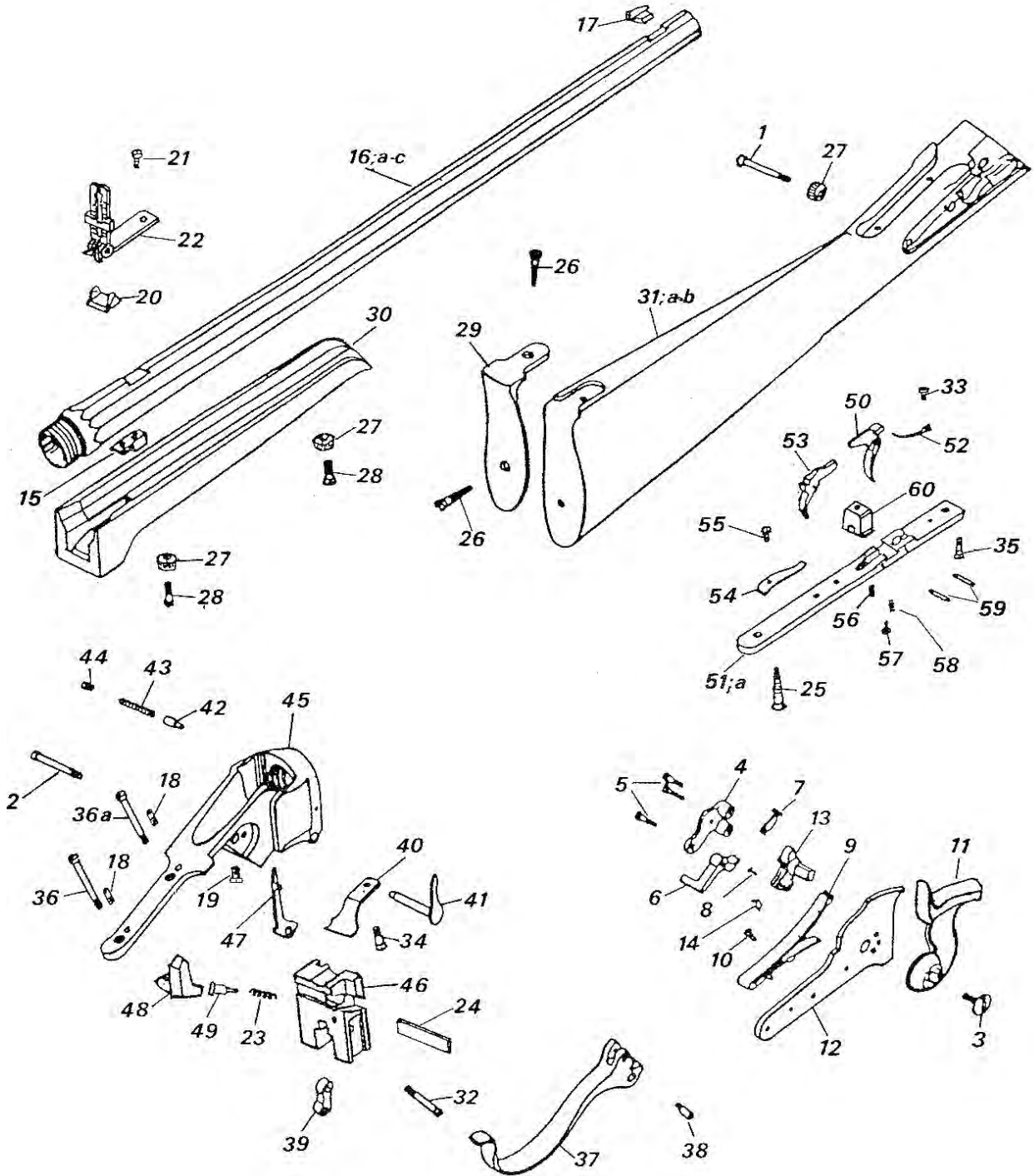
Sharps 'Sporting' Rifle 1859 & 1863 models



No.	List	Reference
1	Lock plate	0800000224
2	Rear lock plate screw	M70AFM0225
3	Front lock plate screw	M70AFM0226
4	Hammer	0800000227
5	Hammer screw	M70AFC0228
6	Bridle	0800000230
7	Bridle screw	M70AFM0231
8	Sear	0800000232
9	Stirrup	0800000233
10	Stirrup screw	M70AFM0234
11	Mainspring	0800000260
12	Mainspring screw	M70AFM0236
13	Tumbler	0800001182
14	Fly	0800001205
15	Nipple	0800000185
16	Barrel stud	0800000210
17	Barrel .54 cal.	0800001168
17a	Barrel .451 cal.	0800001167
17b	Barrel .54 cal. with spares	080001168B
17c	Barrel .451 cal. with spares	080001167B
18	Sleeve	0800001145
18a	Sleeve .54 cal.	0800001169
19	Front sight	0800001171
20	Trigger plate plaque	0800005338
21	Screw for diopter mounting hole	M70AST0190
22	Rear sight base	
23	Rear sight screw	USA 419
24	Rear sight, assembled	
25	Front tang screw	M70AFM0213
26	Set trigger adjusting screw spring	0800003766
27	Rear tang screw	M70LFM5324
28	Butt plate screw	M70LFM5324
29	Lock plate screw bush	0800000220
29a	Forend screw bush	0800000220
30	Butt plate (patch-box version)	0800000247
30a	Butt plate	0800000247
31	Forend	0800001227
32	Stock (patch-box version)	0800001220
32a	Stock	0800001568
32b	Stock finished (patch-box version)	080001220A
32c	Stock finished	080001568A
32d	Stock with spares (patch-box version)	080001220B
32e	Stock with spares	080001568B
33	Patch-box	0800001573
34	Patch-box spring	0800001570
35	Patch-box screw	M70LFC5392
36	Frame	0800000255
37	Breech block	0800000181
38	Gas seal	0800000182
38a	Gas seal plate washer	0800000271

39	Vent screw	M70APC0183
40	Upper toggle link screw	M70AFM0184
41	Lever catch spring screw	M70AFC0196
42	Front trigger plate screw	M70AFC0194
43	Rear tang screw	M70AFM0197
44	Lever .54 cal.	0800000208
44a	Lever .451 cal.	0800000269
45	Lower toggle link screw	M70AFM0199
46	Toggle	0800000200
47	Lever spring	0800000201
48	Lever pin	0800000214
49	Lever plunger pin	M70APC0204
50	Lever plunger pin spring	0800000205
51	Lever plunger pin spring screw	M70AFC0206
52	Front trigger	0800001142
53	Trigger plate	0800001143
53a	Trigger plate, assembled	080G001143
54	Front trigger spring	0800001144
55	Rear trigger	0800001146
56	Set trigger spring	0800001147
57	Set trigger spring screw	M70AFC1148
58	Set trigger spring adjusting screw	M70AST1149
59	Set trigger adjusting screw	M70AFC1150
60	Trigger pin	M70COP1152
61	Front trigger spring screw	M70AFC0191
62	Forend screw	M70AFC0221
63	Patch-box spring screw	M70AFC1212
64	Patch-box pins	M70COP5772
65	Patch-box block	0800001569
66	Patch-box	080G001569
67	Patch-box assembly	080G001572
68	Side screw	M700ST5563
69	Breech block for removable touch hole system	0800000281
70	Large O ring for the new system	0800000287
71	Medium O ring for the new system	0800000286
72	Small O ring for the new system	0800000285
73	Touch hole for the removable system	0800000282
74	Seal plate for the new removable system	0800000284
75		
75a	Touch hole wrench for the new system	080G000283
75b		

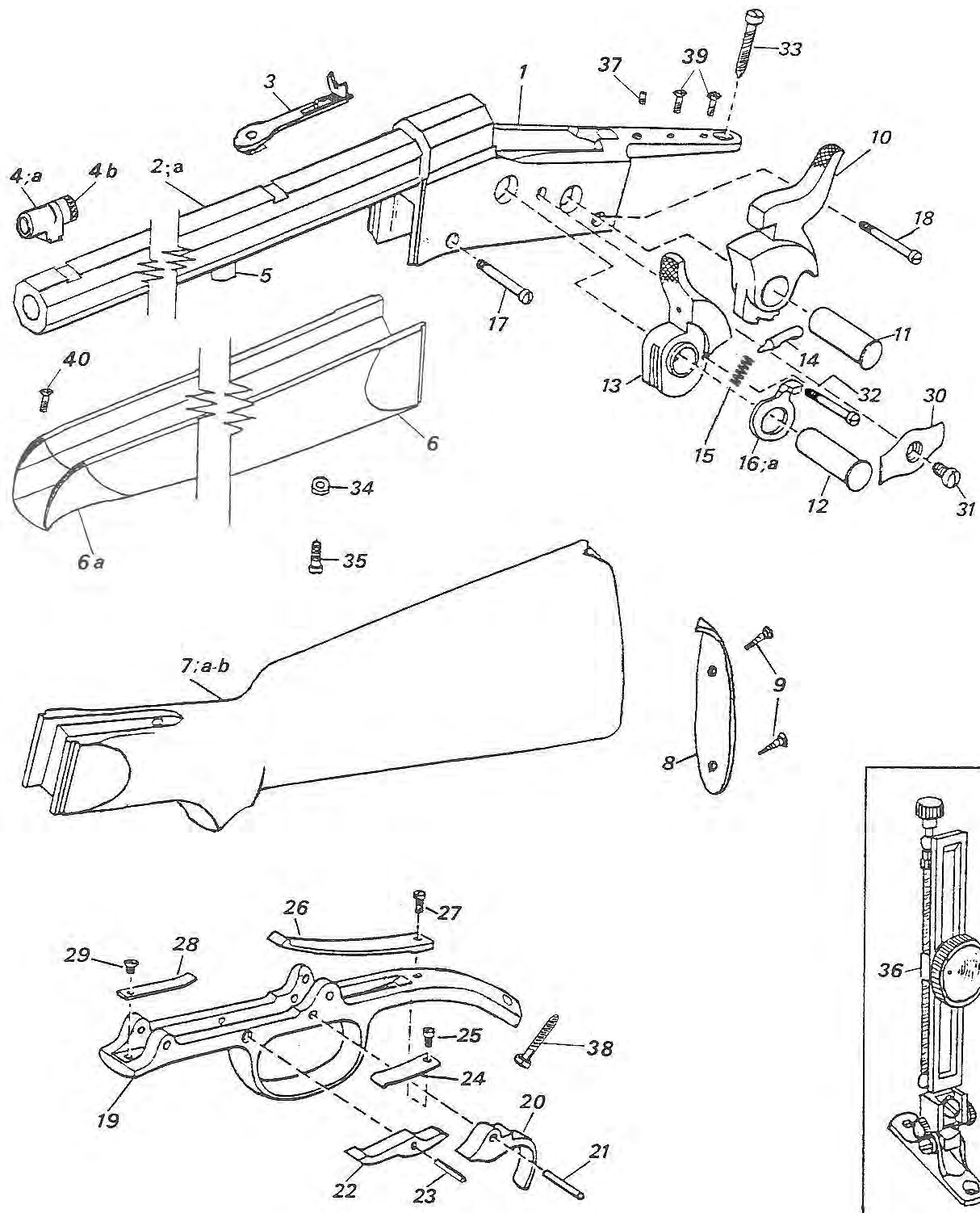
1874 SHARP'S (S.780)



No.	List	Reference
1	Rear lock plate screw	M70AFM0225
2	Front lock plate screw	M70AFM0226
3	Hammer screw	M70AFC0228
4	Bridle	0800000230
5	Bridle screw	M70AFM0231
6	Sear	0800000232
7	Stirrup	0800000233
8	Stirrup screw	M70AFM0234
9	Mainspring	0800000235
10	Mainspring screw	M70AFM0236
11	Hammer	0800001006
12	Lock plate	0800001034
13	Tumbler	0800001105
14	Fly	0800001205
15	Barrel stud	0800000210
16	Barrel .45-70 cal. (See note)	0800001092
16a	Barrel .45-90 cal. (See note)	0800001093
16b	Barrel .45-120 cal. (See note)	0800001095
16c	Barrel .40-65 cal. (See note)	0800001163
17	Front sight	0800001171
18	Screw for diopter mounting hole	M70AST0190
19	Hammer rebounding screw	M70AFC0202
20	Rear sight base	
21	Rear sight screw	USA 419
22	Rear sight, assembled	
23	Firing pin spring	0800003752
24	Firing pin block plate	0800004208
25	Rear trigger guard screw	M70LFM5324
26	Butt plate screw	M70LFM5324
27	Lock plate and forend screw bush	0800000220
28	Forend screw	M70AFC0221
29	Butt plate	0800000247
30	Forend	0800001173
31	Stock	0800001568
31a	Stock finished	080001568A
31b	Stock with spares	080001568B
32	Upper toggle link screw	M70AFM0184
33	Front trigger spring screw	M70AFC0191
34	Lever spring screw	M70AFC0196
35	Front trigger plate screw	M70AFC0194
36	Rear tang screw	M70AFM0197
36a	Front tang screw	M70AFM0213
37	Lever	0800000198
38	Lower toggle link screw	M70AFM0199
39	Toggle	0800000200
40	Lever spring	0800000201
41	Lever pin	0800000203
42	Lever plunger pin	M70APC0204
43	Lever plunger pin spring	0800000205

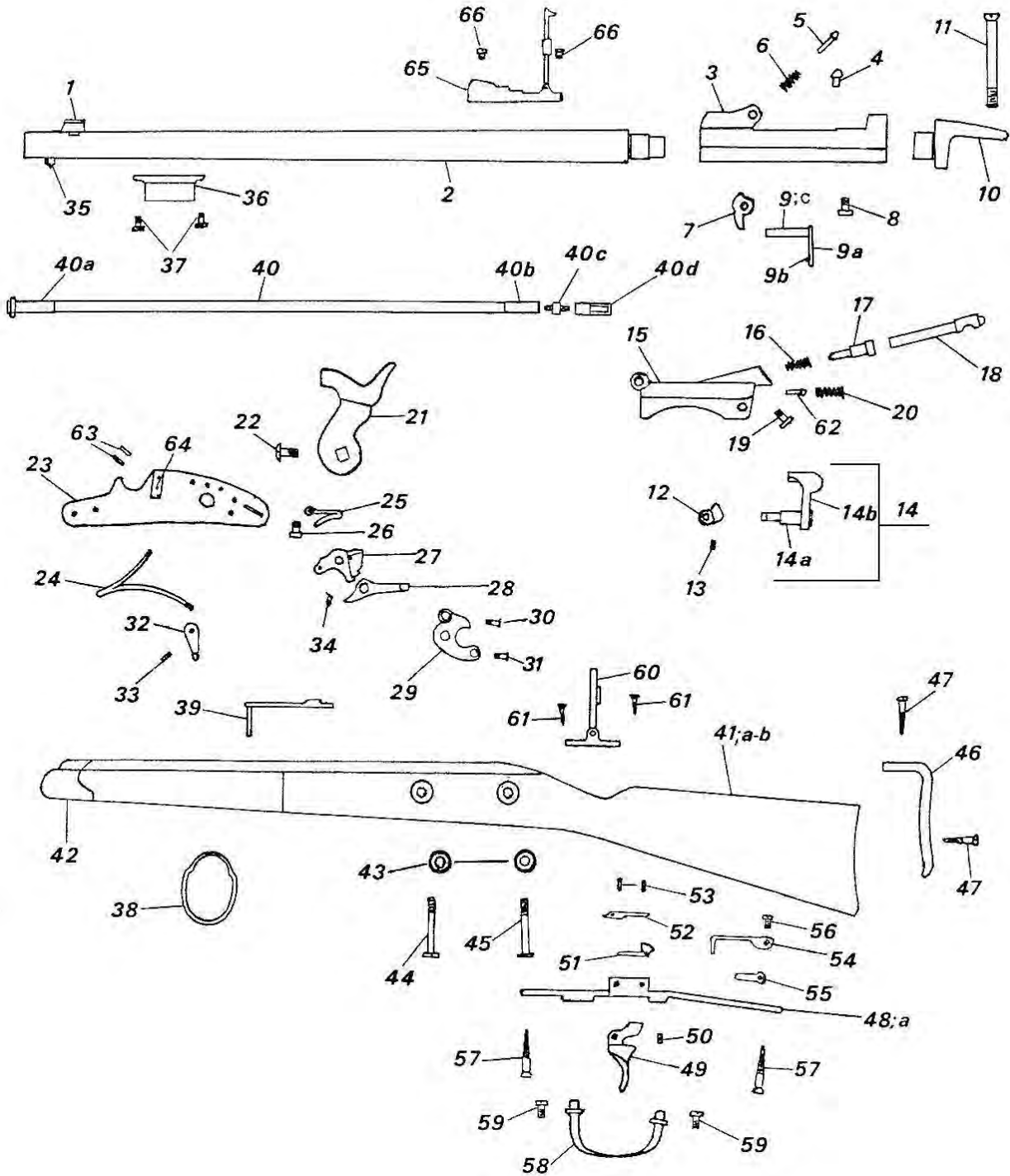
44	Lever plunger pin spring screw	M70AFC0206
45	Frame	0800001001
46	Breech block	0800001002
47	Extractor	0800001003
48	Firing pin block	0800001004
49	Firing pin	0800001007
50	Front trigger	0800001142
51	Trigger plate	0800001143
51a	trigger plate, assembled	080001143B
52	Front trigger spring	0800001144
53	Rear trigger	0800001146
54	Set trigger spring	0800001147
55	Set trigger spring screw	M70AFC1148
56	Set trigger spring adjusting screw	M70AST1149
57	Set trigger adjusting screw	M70AFC1150
58	Set trigger adjusting screw spring	0800003766
59	Trigger pin	M70COP1152
60	Trigger plate plaque	0800005338
61	Side screw	M700ST5563

Rolling Block 'Long Range Creedmoor' Rifle



No.	List	Reference
1	Frame	0800002231
2	Barrel .45-70 cal. (See note)	0800002741
2a	Barrel .357 Magnum cal. (See note)	0800002648
3	Rear sight	0800004821
4	Tunnel front sight	USA455
4a	Sight's tunnel	0800004944
4b	Sight's plug	0800004945
5	Tenon	0800004889
6	Forend	0800002046
6a	Forend cap	0800004354
7	Stock	0800003475
7a	Stock finished	080003475A
7b	Stock with spares	080003475B
8	Butt plate	0800002450
9	Butt plate screw	M70LFM5324
10	Hammer	0800002472
11	Hammer pin	0800004237
12	Breech block pin	0800004237
13	Breech block	0800004238
14	Firing pin	0800004236
15	Firing pin spring	0800003752
16	Extractor .45-70 cal.	0800002815
16a	Extractor .357 Magnum	0800007207
17	Front trigger plate screw	M70PFM5260
18	Rear trigger plate screw	M70PFM5260
19	Trigger plate	0800004668
20	Trigger	0800003032
21	Trigger pin	M70COP5382
22	Sear	0800003418
23	Sear pin	M70COP5382
24	Trigger spring	0800003636
25	Trigger spring screw	M70TFC5261
26	Mainspring	0800003804
27	Mainspring screw	M70PFC5423
28	Sear spring	0800003801
29	Sear spring screw	M70TFC5498
30	Frame plate	0800004279
31	Frame plate screw	M70TFC5498
32	Firing pin retainer pin	M70TFM5515
33	Tang screw	M70LFM5402
34	Forend washer	M70RON5438
35	Forend screw	M70TFM5541
36	Dioptr (assembled)	USA436
37	Screw for dioptr mounting front hole	M700ST5481
38	Lower trigger plate screw	M70LFM5402
39	Dioptr mounting screw	M70PFC5407
40	Forend cap screw	M70TFC5276

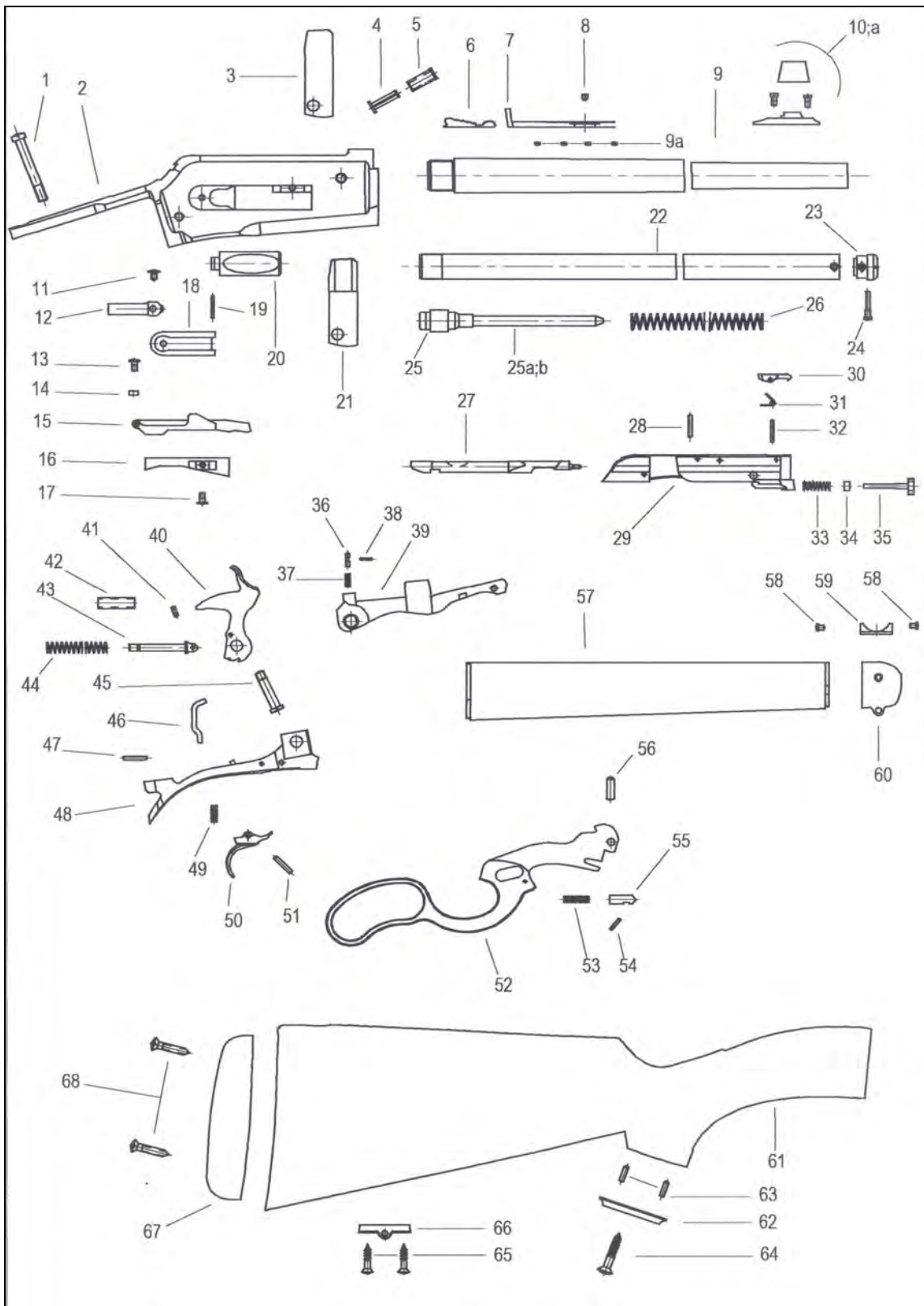
Springfield Trapdoor 'Officer



No.	List	Reference
1	Front sight	0800003764
2	Barrel	0800002628
3	Receiver	0800002295
4	Ejector stud	0800004336
5	Extractor-retractor pin	0800004337
6	Extractor-retractor pin spring	0800003756
7	Extractor	0800002816
8	Ejector screw	M70AFC5561
9	Breech block stud	0800004338
9a	Hinge pin plate	0800004353
9b	Hinge check pin	0800004352
9c	Hinge assembled	080G004338
10	Tang	0800002413
11	Tang screw	M70AFM5562
12	Cam latch	0800002422
13	Cam latch screw	M700ST5563
14	Breech block, assembled	080G003525
14a	Thumb piece pin	0800004351
14b	Thumb piece	0800003525
15	Breech block	0800002296
16	Firing pin spring	0800003757
17	Firing pin	0800004339
18	Rear firing pin	0800004340
19	Rear firing pin screw	M70AFC5564
20	Cam latch spring	0800003765
21	Hammer	0800002423
22	Hammer screw	M70AFC0228
23	Lock plate	0800002428
24	Mainspring	0800003759
25	Sear spring	0800003760
26	Sear spring screw	M70AFC5566
27	Tumbler	0800003925
28	Sear	0800003526
29	Bridle	0800002297
30	Bridle screw	M70AFM0231
31	Sear screw	M70SPC5567
32	Stirrup	0800004946
33	Stirrup screw	M70AFM0234
34	Fly	0800002915
35	Ramrod pin	M70SPC5565
36	Thimble	0800004341
37	Thimble screw	M70PFM5425
38	Band	0800002972
39	Band spring	0800003761
40	Ramrod, assembled	0800002298
40a	Front ramrod tip	0800004342
40b	Rear ramrod tip	0800004213
40c	Double ended screw	USA537

40d	Jag	USA533
41	Stock	0800003529
41a	Stock finished	080003529A
41b	Stock with spares	080003529B
42	Forend cap	0800004345
43	Side screw washer	M70RON5568
44	Front lock plate screw	M70AFM5569
45	Rear lock plate screw	M70AFM5569
46	Butt plate	0800002453
47	Butt plate screw	M70LFM5402
48	Trigger plate	0800004705
48a	Trigger plate, assembled	080004705B
49	Trigger	0800003221
50	Set trigger adjusting screw	M70SPC5570
51	Set trigger ratchet	0800002716
52	Set trigger lever	0800003431
53	Set trigger screw	M700ST5571
54	Set trigger spring	0800003762
55	Set trigger ratchet spring	0800003763
56	Set triggers spring screw	M70AFM5572
57	Trigger plate screw	M70LFC5392
58	Trigger guard	0800003222
59	Trigger guard screw	M70AFC0191
60	Diopter (assembled)	USA459
61	Diopter screw	M70LFC5285
62	Cam latch pin	0800004348
63	Mainspring catch pin	M70COP5576
64	Mainspring catch	0800005297
65	Rear sight	USA437
66	Rear sight screw	M70AFC5575

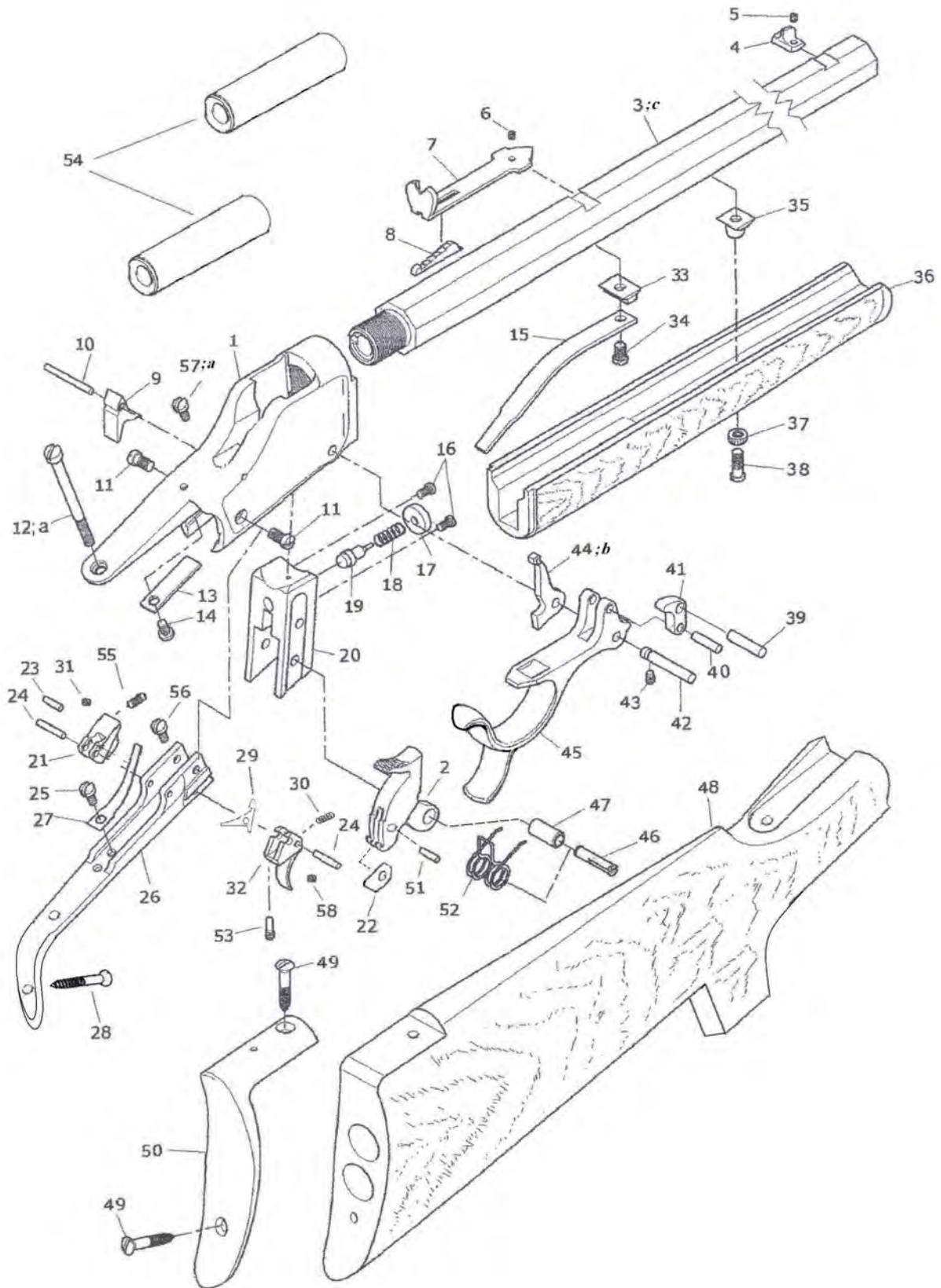
1886/71 LEVER ACTION



No.	List	Reference
1	Tang screw	M70TFM5916
2	Frame	0800002096
2a	Scope mounts holes screw	M70AST5937
3	Bolt left locking plate	0800007193
4	Locking lever pin	0800005918
5	Lever pin bush	0800002099
6	Rear sight elevation	0800004515
7	Rear sight	0800005044
8	Rear sight pin	M700ST5328
9	Barrel	0800007189
9a	Scope mounts holes screw	M70AST5937
10	Front sight	0800003984
10a	Front sight screw	M70TFC5487
10b	Tunnel front sight	0800003976
11	Loading gate screw	M70TFC5413
12	Loading gate spring	0800003893
13	Locking lever screw	M70TFM5919
14	Locking lever screw washer	0800007215
15	Locking lever	0800003261
16	Feeding stop	0800003181
17	Feeding stop screw	M70TFC5413
18	Support plate	0800004473
19	Plate-gate connecting pin	M70COP5920
20	Loading gate	0800004781
21	Bolt right locking plate	0800007192
22	Magazine	0800004783
23	Magazine plug	0800005066
24	Magazine plug screw	M70SPC5891
25	Magazine feeding shaft (5 rounds)	0800004477
25a	Magazine limiting device (5 rounds)	0800003268
25b	Magazine limiting device assembly	080G003268
26	Magazine spring	0800003892
27	Firing pin	0800004474
28	Firing pin catch elastic pin	M70COP5929
29	Bolt	0800004007
29a	Elevation Adjusting screw nut	M70RON5934
29b	Nut's screw	M70TFC6111
29c	Mounting pin	M70COP6113
30	Extractor	0800003182
31	Extractor spring	0800003838
32	Extractor pin	M70COP5920
33	Ejector spring	0800003891
34	Ejector spring bush	0800002097
35	Ejector	0800003184
36	Carrier position pin	M70SPC5925
37	Carrier position pin spring	0800003896
38	Elastic stop pin carrier position pin	M70COP5928
39	Carrier	0800003183

40	Hammer	0800007194
41	Elastic pin mainspring pin	M70COP5924
42	Hammer pin bush	0800002098
43	Mainspring pin	0800004476
44	Mainspring	0800003894
45	Hammer screw	M70TFM5917
46	Mainspring keeper	0800004784
47	Mainspring keeper pin	M70COP5373
48	Trigger plate	0800004782
49	Trigger recoil spring	0800003895
50	Trigger	0800003258
51	Trigger pin	M70COP5921
52	Cocking lever	0800003262
53	Cocking lever locking pin spring	0800003890
54	Cocking lever locking elastic pin	M70COP5873
55	Cocking lever locking position pin	0800005926
56	Cocking lever-bolt connecting pin	M70COP5923
57	Forend	0800002090
58	Forend nose cap screw	M70TFC5494
59	Forend nose cap support	0800004780
60	Forend nose cap	0800004472
61	Stock	0800003276
62	Grip cap	0800001190
63	Grip cap pin	M70COP2855
64	Grip cap screw	M70LFM5324
65	Rear swivel screw	M70LFC5392
66	Rear swivel plate	0800001576
67	Butt plate	0800007214
68	Butt plate screw	M70LFC5395

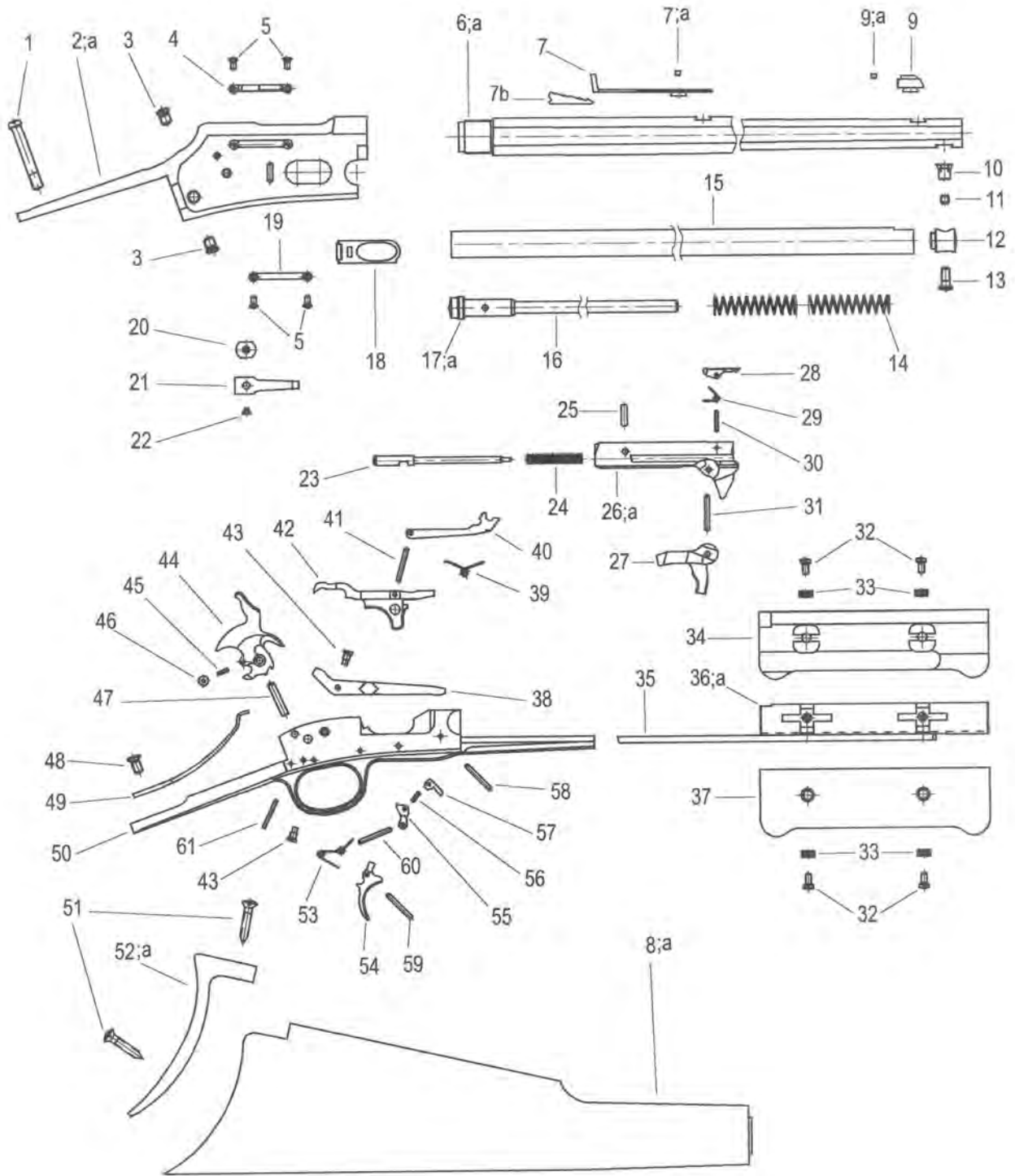
High Wall Sporting



No.	List	Reference
1	Frame assembly	0800002124
2	Hammer	0800007143
3	Barrel .45-70 cal. (30")	0800007086
3a	Barrel .38-55 Winch. cal. (30")	0800007087
3b	Barrel .25/20 Winch. cal. (28")	0800007145
3c	Barrel .25/20 S.S. cal. (28")	0800007146
4	Front sight	0800003869
5	Front sight fixing screw	M70AST5831
6	Rear sight fixing screw	M70AST5831
7	Rear assembly	0800002084
8	Rear sight ramp	0800004512
9	Sear	0800003291
10	Sear pin	M70COP5832
11	Trigger plate screw	M70TFM5833
12	Tang screw	M70TFM5821
12a	Tang sight screw	M70TFM5820
13	Sear spring	0800003870
14	Sear spring screw	M70TFC5834
15	Lever spring	0800003873
16	Firing Pin Bearing Screw	M70TFC5835
17	Firing Pin Bearing	0800002127
18	Firing pin spring	0800003871
19	Firing pin	0800004457
20	Breech Lock	0800004006
21	Mid lever	0800003290
22	Fly	0800003160
23	Shorter trigger pin	M70COP5836
24	Longer trigger pin	M70COP5837
25	Trigger spring screw	M70TFM5811
26	Trigger plate	0800004764
27	Trigger spring	0800003865
28	Trigger plate rear screw	M70LFM5324
29	Trigger lever	0800003286
30	Trigger lever recoiling spring	0800003289
31	Adjusting sear spring screw retaining pin	M700ST6126
32	Trigger	0800003239
33	Lever spring tenon	0800005060
34	Lever catch spring screw	M70TFC5838
35	Forend tenon	0800005061
36	Forend	0800002032
37	Forend screw washer	0800003251
38	Forend screw	M70TFM5839
39	Block pin	M70COP5840
40	Connecting rod pin	M70COP5841
41	Connecting rod	0800002128
42	Lever pin	M70COP5842
43	Lever pin screw	M70AST5843
44	Extractor .45-70 cal	0800003166
44a	Extractor .25-20 cal	0800003171
44b	Extractor .38-55 cal	0800003170

45	Lever	0800004774
46	Hammer pin	M70COP5844
47	Hammer pin bush	0800002129
48	Stock	0800003292
49	Butt plate screw	M70LFM5324
50	Butt plate	0800002450
51	Fly pin	M70COP5845
52	Mainspring	0800003872
53	Adjusting pull screw	M70TFC5810
54	Lead	0800004244
55	Adjusting sear spring screw	M700ST5809
56	Trigger retaining screw	M70PFC5825
57	Screw for diopter mounting front hole	M70AST5850
57a	Front diopter screw	M70AFC5849
58	Adjusting pull screw retaining pin	M700ST6126

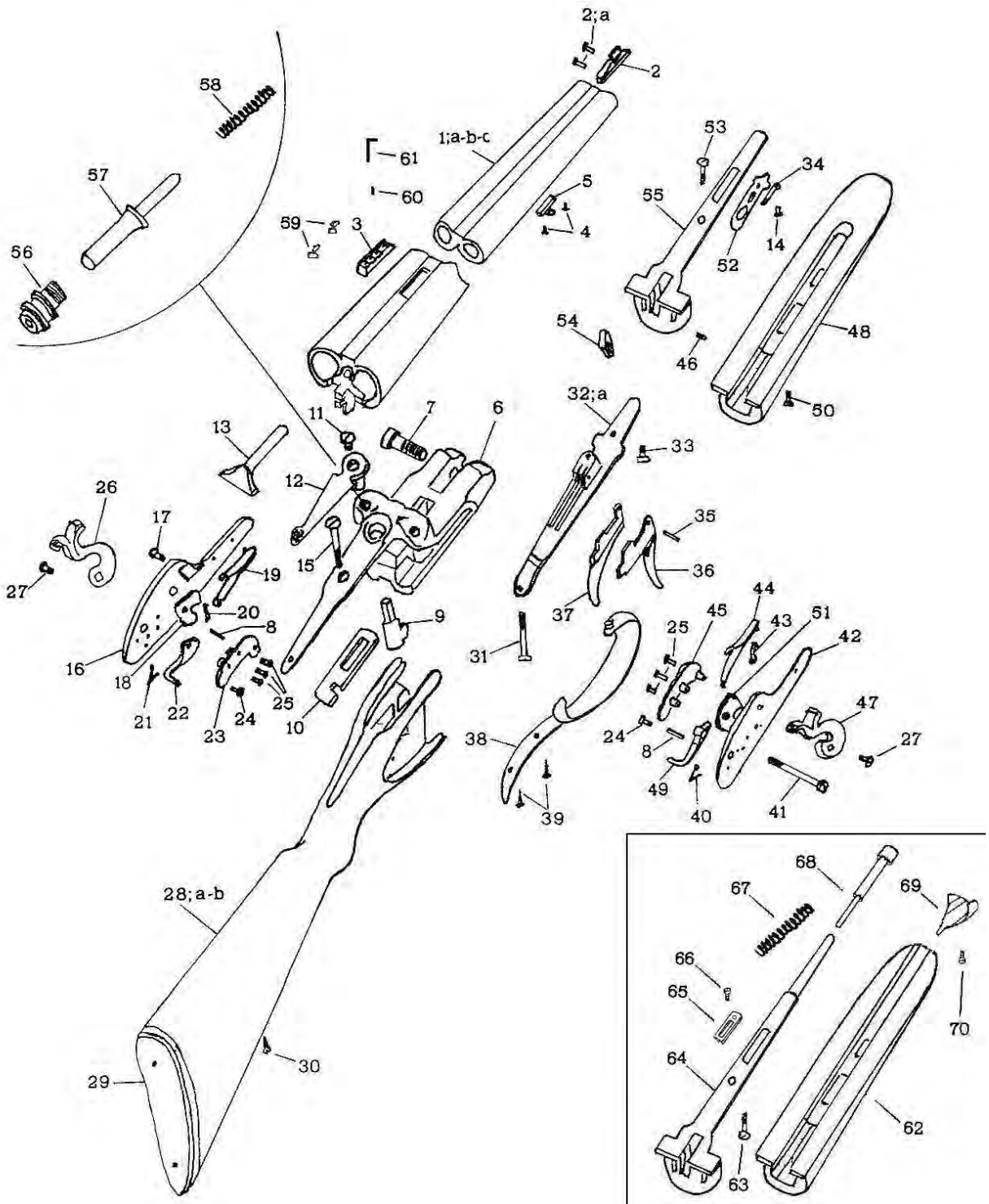
DP Lightning 20" octagonal barrel



No.	List	Reference
1	Tang screw	M70TFM5750
2	Frame for .45 long Colt cal.	0800002155
2a	Frame for .44-40 Winc. cal.	0800002156
3	Frame and trigger plate screw	M70TFC5749
4	Left plate	0800004422
5	Plates screws	M70TFC5745
6	Octagonal barrel 20" .45 long Colt cal.	0800007035
6a	Octagonal barrel 20" .44-40 Winc. cal.	0800007036
7	Rear sight	0800005044
7a	Rear sight socket screw	M700ST5328
7b	Rear sight ramp	0800004510
8	Stock	0800002367
8a	Stock (Sporter model)	0800003285
9	Front sight	0800003864
9a	Front sight screw	M700ST5802
10	Magazine plug keeper	0800004744
11	Magazine plug keeper dowel	M700ST5760
12	Magazine plug	0800005015
13	Magazine plug screw	M70TFM5752
14	Magazine spring	0800003850
15	Magazine	0800004748
16	Magazine limiting device (5 cartridges)	0800003367
17	Magazine feeder device pin	0800004423
17a	Magazine limiting device group (5 cartr.)	080G003372
18	Magazine gate	0800002371
19	Right plate	0800004421
20	Magazine gate spring washer	0800004509
21	Magazine gate spring	0800003840
22	Magazine gate spring screw	M70TFC5746
23	Firing pin	0800004420
24	Firing pin spring	0800003839
25	Firing pin catch pin	M70COP5753
26	Bolt .45 long Colt cal.	0800004002
26a	Bolt .44-40 Winc. Cal.	0800004003
27	Bolt block	0800002196
28	Extractor	0800003132
29	Extractor spring	0800003838
30	Extractor pin	M70COP5362
31	Bolt block pin	M70COP5755
32	Forend screw	M70TFC5751
33	Forend washer	0800003136
34	Left forend	0800002022
35	Cartridge feeding shaft	0800002020
36	Feeding tube	0800005014
36a	Cartridge feeding group	080G003135
37	Right forend	0800002021
38	Elevator	0800003134

39	Cartridge and rocker arm retaining lever spring	0800003843
40	Cartridge retaining lever	0800003380
41	Rocker arm pin	M70COP5758
42	Rocker arm	0800002197
43	Elevator screw	M70SPC5748
44	Hammer	0800002370
45	Hammer wheel pin	M70COP5769
46	Hammer wheel	0800004508
47	Hammer pin	M70COP5756
48	Mainspring screw	M70TFC5747
49	Mainspring	0800003841
50	Trigger plate	0800004742
51	Butt plate screw	M70LFM5759
52	Butt plate	0800002368
52a	Butt plate (Sporter model)	0800002450
53	Sear spring	0800003842
54	Trigger	0800003133
55	Sear	0800003382
56	Trigger lever pin	M70COP5754
57	Trigger lever	0800003381
58	Cartridge retaining lever pin	M70COP5758
59	Trigger pin	M70COP5758
60	Sear pin	M70COP5758
61	Trigger screw pin	M70COP5758

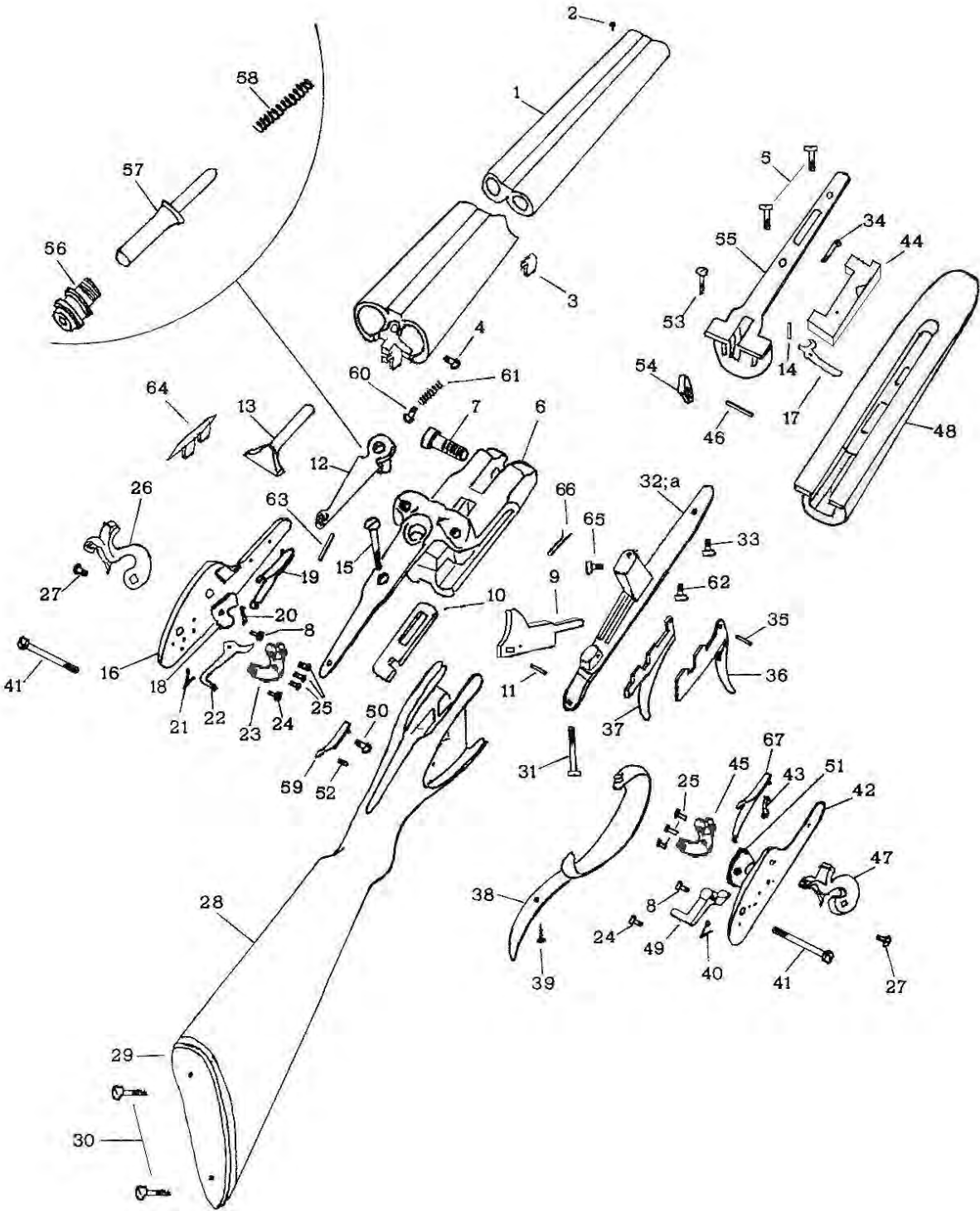
Kodiak Mark IV



No.	List	Reference
1	Barrel .45-70 cal. (See note)	0800004893
1a	Barrel 9,3x74 R cal. (See note)	0800004229
1b	Barrel 8x57 JRS cal. (See note)	0800004928
1c	Barrel (22") .45-70 cal. (See note)	0800007235
2	Front sight	0800002323
2a	Front sight screw	M70TFM5468
3	Rear sight base	0800004907
4	Front swivel screw	M70TFC5494
5	Front swivel plate	0800002310
5a	Front swivel, assembled	0800004301
6	Receiver	0800002311
7	Hinge bolt	0800002560
8	Sear pin	M700005588
9	Opening lever spingle	0800004347
10	Barrel latch	0800004888
11	Barrel catch lever screw	M700005589
12	Opening lever	0800002491
13	Extractor	0800002910
14	Forearm catch lever screw	M700005590
15	Tang screw	M700005591
16	Left lock plate	0800002494
17	Left lock plate screw	M700005592
18	Left tumbler	0800003926
19	Left mainspring	0800003622
20	Left stirrup	800004949
21	Left sear spring	0800003635
22	Left sear	0800003535
23	Left bridle	0800002312
24	Sear spring screw	M700005593
25	Bridle screw	M700005594
26	Left hammer	0800002847
27	Hammer screw	M700005595
28	Stock	0800002682
29	Butt plate	0800002683
30	Swivel screw	M70SPC5244
31	Rear trigger plate screw	M700005596
32	Trigger plate	0800004634
33	Front trigger plate screw	M700005603
34	Forearm catch lever	0800002685
35	Triggers pin	M700005602
36	Front trigger	0800003042
37	Rear trigger	0800003043
38	Trigger guard	0800003047
39	Trigger guard screw	M700005597
40	Right sear spring	0800003769
41	Long lock plate screw	M700005598
42	Rught lock plate	0800002686
43	Right stirrup	0800004950

44	Right mainspring	0800003768
45	Right bridle	0800002313
46	Ejector cam screw	M700005599
47	Right hammer	0800002846
48	Forend	0800002011
49	Right sear	0800003534
50	Forend-forearm iron screw	M700005600
51	Right tumbler	0800003927
52	Forearm catch plate	0800002012
53	Forearm iron screw	M700005601
54	Ejector cam	0800003928
55	Forearm iron	0800002687
56	Nipple	0800003536
57	Firing pin	0800004363
58	Firing pin spring	0800003770
59	Rear sight	0800004805
60	Tang sight base fixing nut	M700ST5793
61	Wrench	0800007073
62	Forearm for .45-70 - 8x57JRS cal.	0800001704
63	Forearm iron screw	M700006103
64	Forearm iron for 45-70 - 8x57JRS cal.	0800007252
65	Forearm catch plate for 45-70 -8x57JRS	0800004492
66	Forearm catch plate screw 45-70-8x57J	M700006104
67	Release button spring for 45-70-8x57J	0800003979
68	Release button for 45-70-8x57J	0800004491
69	Forearm nose cap for 45-70 -8x57JRS	0800004493
70	Forearm nose cap screw for 45-70 8x57	M700006105

Side by side shotgun "Wyatt Earp"



No.	List	Reference
1	Barrel	0800007188
2	Pearl sight	0800003900
3	Wedge staple	0800005068
4	Extractor screw holder	M700005892
5	Forearm snap screw	M700005893
6	Receiver	0800002093
7	Hinge bolt	0800007199
8	Sear pin	M700005894
9	Safety lever	0800003266
10	Barrel latch	0800005067
11	Safety lever pin	M700005895
12	Opening lever	0800007198
13	Extractor	0800007200
14	Forearm snap lever pin	M700005896
15	Tang screw	M700005897
16	Left lock plate	0800007196
17	Forearm snap lever	0800001702
18	Left tumbler	0800003940
19	Left mainspring	0800003966
20	Left stirrup	0800005070
21	Left sear spring	0800003899
22	Left sear	0800003288
23	Left bridle	0800002094
24	Sear spring screw	M700005898
25	Bridle screw	M700005899
26	Left hammer	0800007186
27	Hammer screw	M700005900
28	Stock	0800003275
29	Butt plate	0800002450
30	Butt plate screw	M70LFM5324
31	Rear trigger plate screw	M700005901
32	Trigger plate	0800004785
33	Front trigger plate screw	M700005902
34	Forearm catch plate spring	0800001700
35	Triggers pin	M700005903
36	Front trigger	0800003259
37	Rear trigger	0800003260
38	Trigger guard	0800003264
39	Trigger guard screw	M700005904
40	Right sear spring	0800003898
41	Long lock plate screw	M700005905
42	Rught lock plate	0800007195
43	Right stirrup	0800005069
44	Forearm snapping device	0800001701
45	Right bridle	0800002095
46	Cam holder pin	M700005906
47	Right hammer	0800007185
48	Forend	0800002091

49	Right sear	0800003287
50	Safety screw	M700005907
51	Right tumbler	0800003939
52	Safety pin	M700005908
53	Forearm iron screw	M700005909
54	Cam	0800003941
55	Forearm iron	0800007197
56	Firing pin holder	0800003265
57	Firing pin	0800004475
58	Firing pin spring	0800003980
59	Safety spring	0800003981
60	Barrel catch lever screw	0800003263
61	Opening lever spring	0800003982
62	Trigger plate mid screw	M700005910
63	Catch lever pin	M700005911
64	Lever catch	0800002092
65	Trigger rebound spring screw	M70TFC5487
66	Trigger rebound spring	0800003986
67	Right mainspring	0800003897