

Element sauna

NORDIC

INSTRUCTIONS FOR INSTALLATION

English

Medium
S1620SV

2060 x 1608 x 2020 mm



EN

Large
S2020SV

2060 x 2033 x 2020 mm



Table of Contents

1. Preparing for installation	3
1.1. Tools required	4
1.2. Maintenance and cleaning	5
1.3. Disposal	5
1.4. Parts list for Medium S1620SV and Large S2020SV	6
2. Floor plan	8
2.1. NORDIC Medium S1620SV	8
2.2. NORDIC Large S2020SV	8
3. Assembling the cabin	9
3.1. Assembling the base frame	9
3.2. Assembling the cabin walls	9
3.3. Assembling the roof elements	9
3.4. Assembling the benches	9
3.5. Assembling the glass elements	10
3.6. Installing roof trim	10
3.7. Mounting the cover slats	10
3.8. Drill hole for electrical cable	10
3.9. Mounting the light	10
3.10. Installation KIT for heater installation at the bench foot	10
Illustrations for the parts list	11
Assembly illustrations	12

1. Preparing for installation

Read these assembly instructions carefully and keep them within reach when using the sauna so that you can look up product information at any time.



These assembly instructions can also be found in the customer service section of our website: www.almostheaven.com

Important note:

- Before you begin work, check the parts list to ensure that all the individual parts have been delivered. If you discover any missing parts, notify your dealer within 14 days of receiving the sauna cabin.
- The room that the sauna is installed in must be dry and ensure an appropriate amount of air circulation.
- The floor must be level and even, preferably a stone or tiled floor.
- A minimum room height of 230 cm is required for the cabin installation work.
- A distance of at least 5 cm from the wall must be maintained.
- The inside of the wooden parts used must not be handled with any impregnating material.
- You need an assistant for the installation.
- Wood is a natural product that can swell, shrink or warp, despite good storage. For this reason, some force may be necessary during the installation.
- All screw fittings must be pre-drilled.

EN

Attention!

The electrical connection may only be performed by a qualified electrician or similarly qualified person.

1.1. Tools required

- Hammer with a wooden head or a mallet
- Cordless screwdriver with bits for cross-head screws and Torx
- Roller tape measure
- Drill bits with a diameter of 3 mm, 10 mm, 20 - 30 mm (for sauna heater power cable)
- Spirit level
- 1.5 mm hexagonal socket wrench
- Utility knife
- Ladder



This symbol indicates tips and useful information



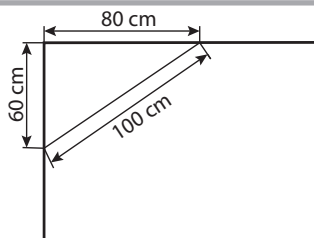
Pre-drill



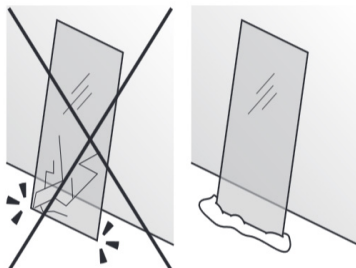
Nailing



Check the right angle:



Handle glass with care: Special care must be taken with the edges of the glass – hardened glass can shatter into small pieces in the event of impact. Insert protective cushioning (e.g: cardboard box) under the edge of the glass.



1.2. Maintenance and cleaning

- The sauna should be cleaned with a damp cloth. Only use warm water – no cleaning products.
- We recommend heating the cabin once a month if the sauna is not used for a long time.



Pitch pockets are not grounds for return, since they can always appear in spruce wood and the depth at which they lie cannot be detected during the sorting-out process.

If these are just under the surface, heat can cause them to soften and “bleed”.

The leaking pitch can be removed with a rag soaked in acetone. If only droplets of pitch occur, allow these to harden and then carefully scrape them off with a knife.

1.3. Disposal



- Dispose of packaging materials in accordance with the applicable waste disposal regulations.
- Used devices contain reusable materials as well as hazardous substances. Therefore, do not dispose of your used device with household waste, but do so in accordance with the locally applicable regulations.

1.4. Parts list for Medium S1620SV and Large S2020SV

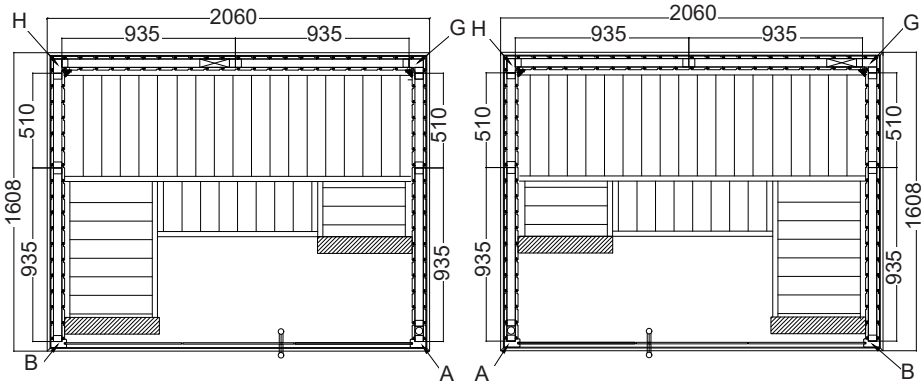
Illustrations for parts on page 11

No.	Name	Pcs	Dimensions (mm)	Pcs	Dimensions (mm)
			S1620SV	S2020SV	
Base frame					
1	Base frame	1	1522x68x43	1	1947x68x43
2	Base frame	1	1992x68x43	1	1992x68x43
3	Base frame ventilation aperture	1	1522x68x43	1	1947x68x43
Wall elements					
4	Wall elements 935	2	1900x935x75	4	1900x935x75
4	Wall elements 510	2	1900x510x75		
5	Electrical element 935	1	1900x935x75	1	1900x935x75
6	Ventilation element 935	1	1900x935x75	1	1900x935x75
Corner posts					
7	Corner post A	2	1949x85x45	2	1949x85x45
9	Corner post G	1	1836x77x76	1	1836x77x76
10	Corner post H	1	1836x77x44	1	1836x77x44
Roof elements					
11	Roof element	1	2022x883x64	1	2022x1112x64
12	Roof element	1	2022x687x64	1	2022x883x64
13	Roof frame	1	1992x45x32	1	1992x45x32
13	Roof frame	2	1395x45x32	2	1819x45x32
14	Roof rim	2	2058x95x15	2	2058x95x15
14	Roof rim	2	1605x95x15	2	2033x95x15
Corner covers					
15	Inner roof corner trims	1	1868x18x15	1	1868x18x15
15	Inner roof corner trims	2	1426x18x15	2	1850x18x15
16	Inner corner trim	2	1025x20x20	2	1025x20x20
17	Outer corner covers	2	1900x77x15	2	1900x77x15
18	Outer corner covers	1	1900x64x15	1	1900x64x15
19	Outer corner covers	1	1900x64x15	1	1900x64x15

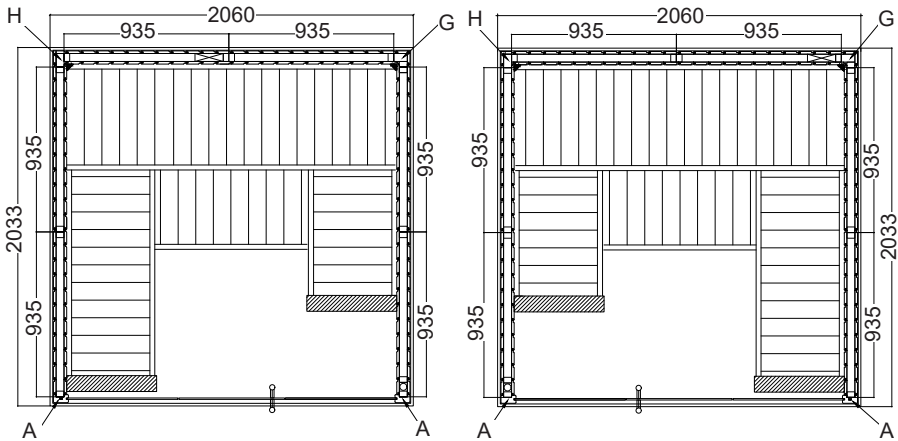
No.	Name	Pcs	Dimensions (mm)	Pcs	Dimensions (mm)
			S1620SV		
				S2020SV	
Glass front					
20	Aluminium U-profile	2	621x22x12	2	621x22x12
21	Glass	2	1939x629x8	2	1939x629x8
21	Glass door	1	1897x600x8	1	1897x600x8
22	Spacer strip above glass door	1	610x20x8	1	610x20x8
23	Door handle set	1	300x158x30	1	300x158x30
24	Door hinges	2		2	
Interior fittings					
25	Upper sauna bench	1	1865x600x90	1	1865x600x90
25	Upper sauna bench	1	680x500x90	1	1165x500x90
25	Upper sauna bench	1	500x285x90	1	582x500x90
25	Lower sauna bench	1	1865x400x90	1	1865x500x90
26	Bench foot	2	1143x510x90	2	1143x510x90
29	Bench screen	1	1795x402x42	1	1795x402x42
30	Backrests	1	1828x270x36	1	1828x270x36
30	Backrests	1	1234x270x36	1	1720x270x36
30	Backrests	1	839x270x36	1	1136x270x36
32	Bench support slat	2	850x99x29	2	1050x90x29
33	Bench support slat	1	950x90x29	2	1050x90x29
33	Bench support slat	1	700x90x29		
34	Bench support leg	1	845x68x44	1	845x68x44
34	Bench support leg	1	395x68x44	1	395x68x44
Accessories					
35	Ventilation slit	1	260x87x20	1	260x87x20
36	Light (SAS21060T)	1	200x100x65	1	200x100x65
37	Installation material	1		1	
38	Kit for heater mounting on bench foot	1		1	
39	Assembly instructions	1		1	

2. Floor plan

2.1. NORDIC Medium S1620SV



2.2. NORDIC Large S2020SV



3. Assembling the cabin

**ATTENTION!**

Note the floor plans on pages 10 and 8 as well as the illustrations starting on page 11 (following the last language of the instructions).

3.1. Assembling the base frame

Start with the base frame and screw it to the corners. Move the base frame to the final position of the sauna.

3.2. Assembling the cabin walls



Note the outside/inside of the wall elements.

Make sure the ventilation element is correctly positioned. It must be placed diagonally opposite the heater.

Start assembling the wall elements with the ventilation element and screw it to the corner post (G, H). The other wall elements are connected by tongue and groove and are fixed by mounting the roof frame. Check the right angles (see tip on page 4).

Mount the multiclips to the front sides of the wall elements and to the corner posts (A, B). Make sure that the multiclips are correctly aligned – the corner posts are connected to the wall elements from top to bottom.

Fit the ventilation slider.

3.3. Assembling the roof elements

Insert the roof elements and screw them to the cabin walls. Note the cable outlet.

3.4. Assembling the benches

Mount the bench support slats on the side wall elements. Connect the angle bench to the sauna bench using M10 x 120 screws. Screw the adjustable feet into the bench foot. Fix the bench foot to the angled bench by tightening up the lock and screw the bench foot to the side wall.

Assemble the bench screen and the backrest.

3.5. Assembling the glass elements

Fit the aluminium U-profiles on the glass elements and install the glass elements in the cabin.



Note when installing the glass element that the holes drilled for the door hinges determine which way the door opens.

Bond the aluminium U-profiles to the floor with silicone or assembly adhesive.

Mount the spacer strip above the glass door.

When installing the door fittings, make sure that the door opens to the outside.

Screw the two door fittings to the glass element first, making sure that the fittings are aligned straight. Align the fittings by adjusting / turning the two plastic inserts.

The door handles are screwed together from the inside. Attach plastic washers on the stainless steel handle

Fit the door magnet and sleeve plate.

3.6. Installing roof trim

Mount the corner brackets to the roof trim strips. Then screw the roof trim strips to the roof element.

3.7. Mounting the cover slats

Fasten the inner roof corner trims, the inner corner trims and the outer corner covers using nails.

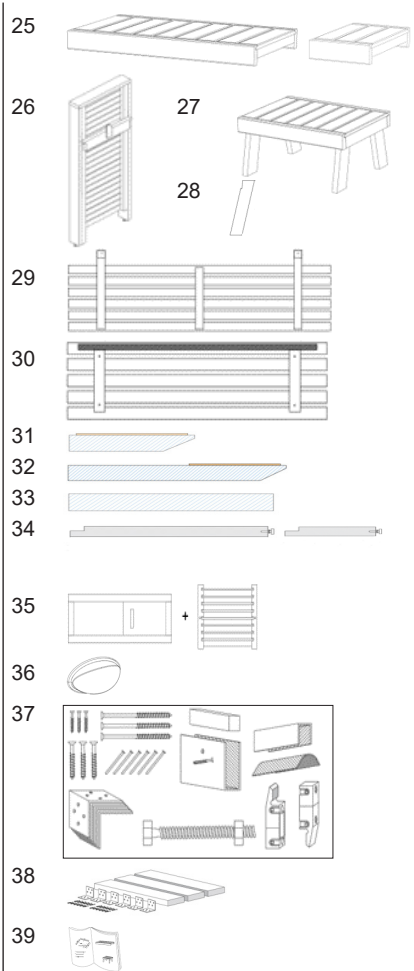
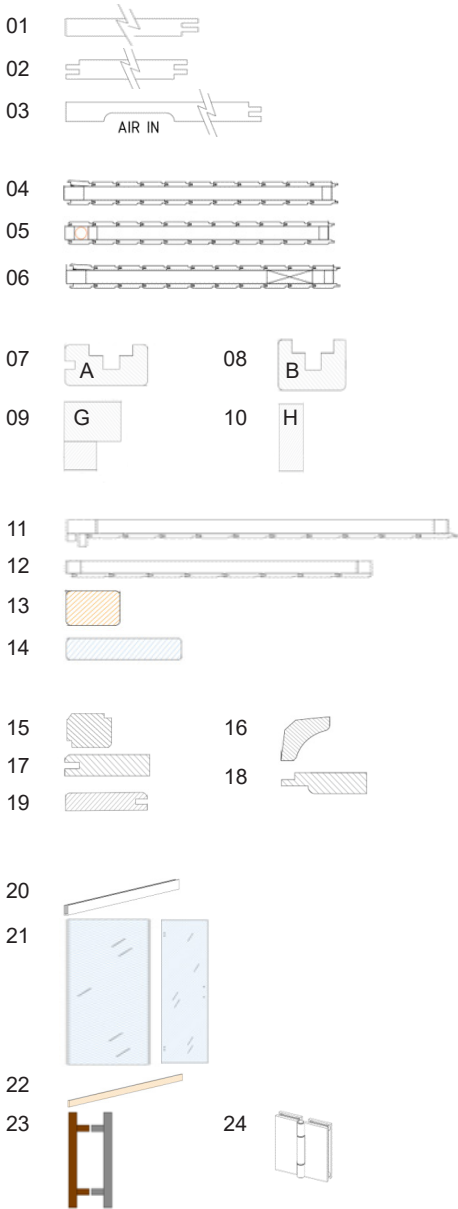
3.8. Drill hole for electrical cable

3.9. Mounting the light

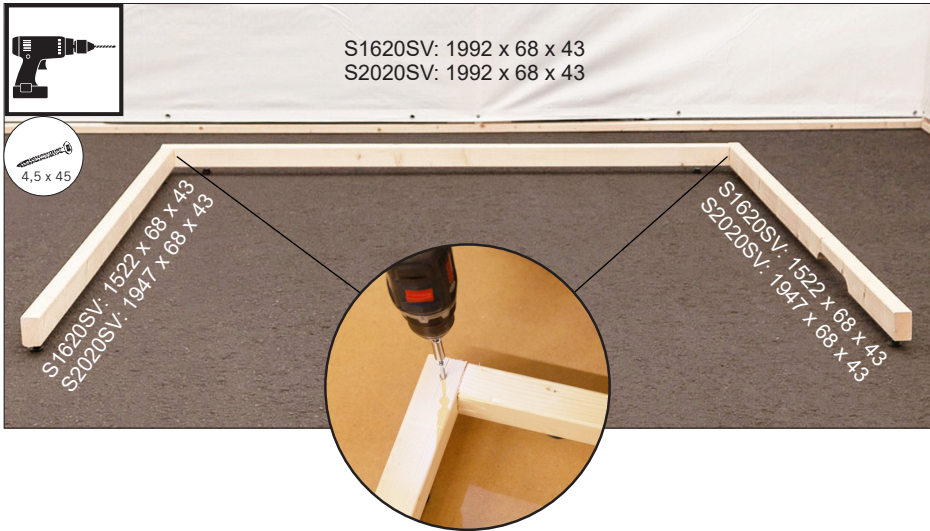
3.10. Installation KIT for heater installation at the bench foot

Only required if the sauna heater is mounted on the bench foot in order to maintain the safety distances.

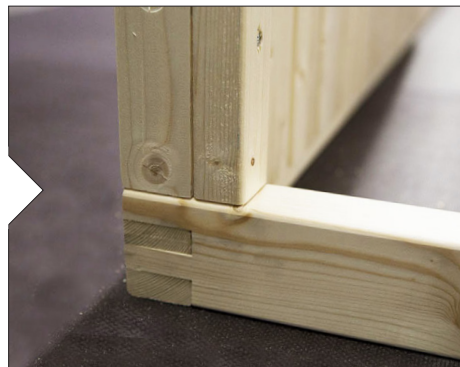
Pictures of Parts

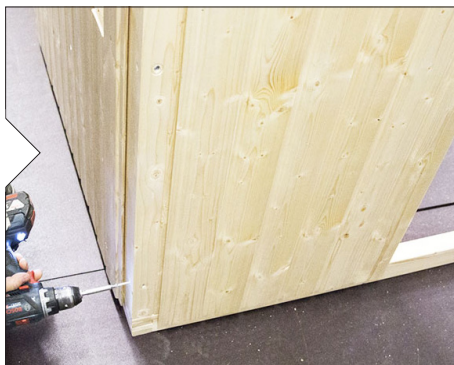


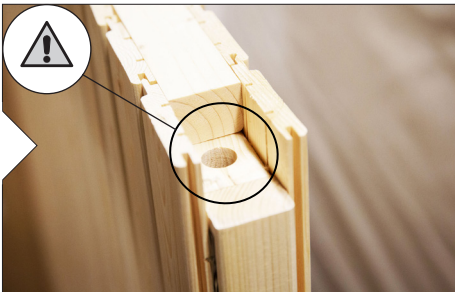
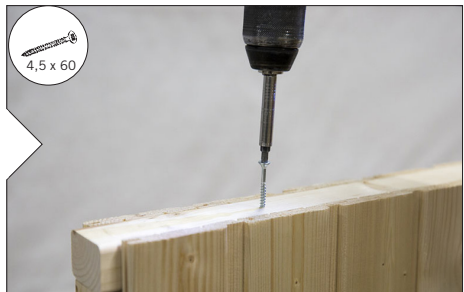
3.1.



3.2.

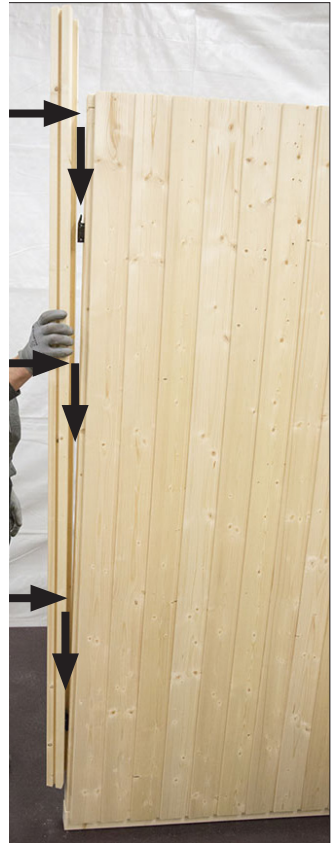
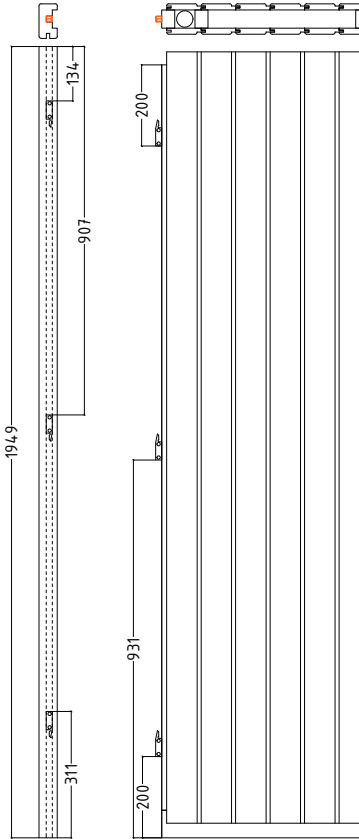








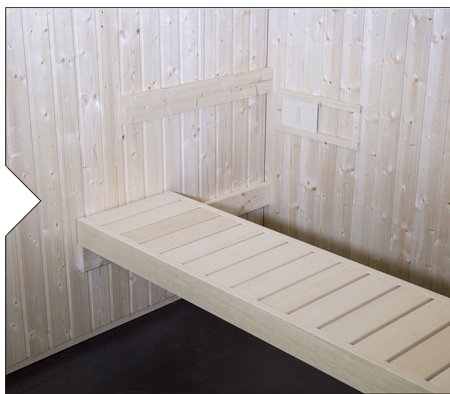
Multiclip



3.3.

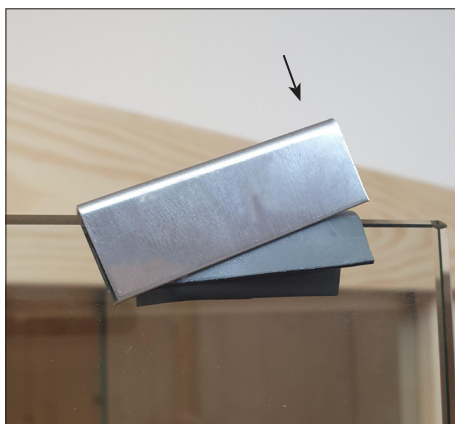
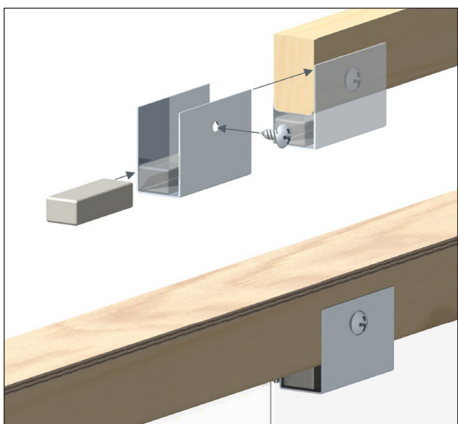
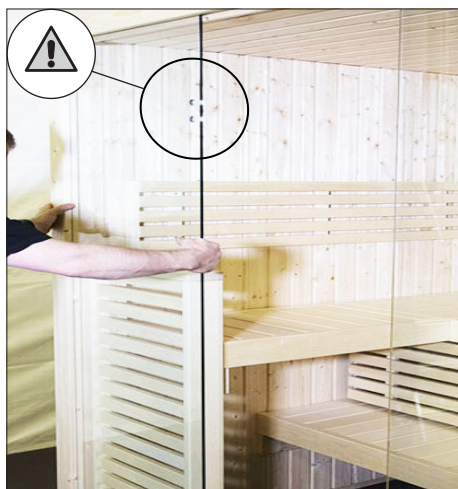
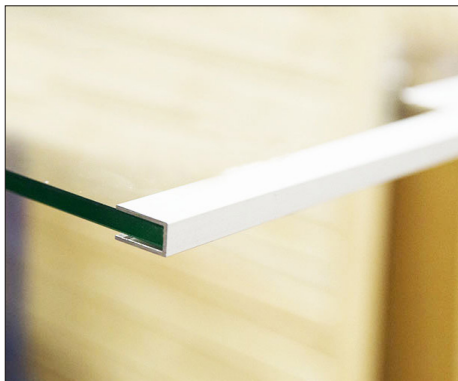


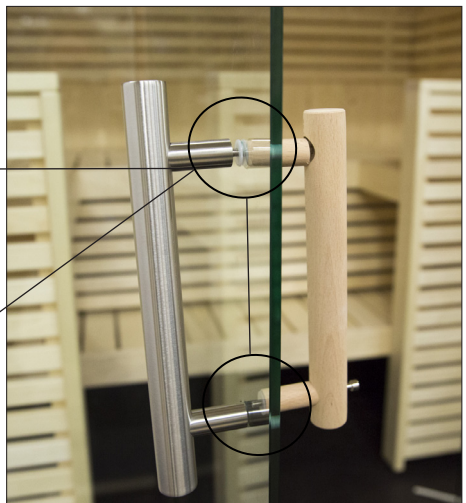
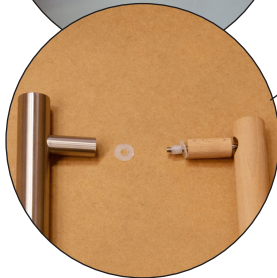
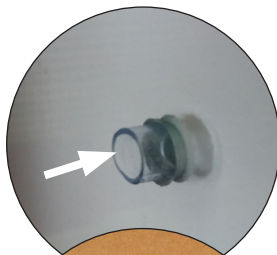
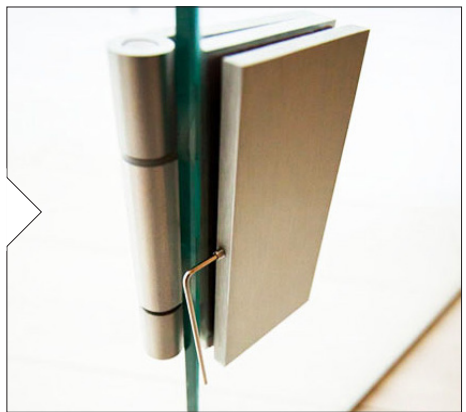
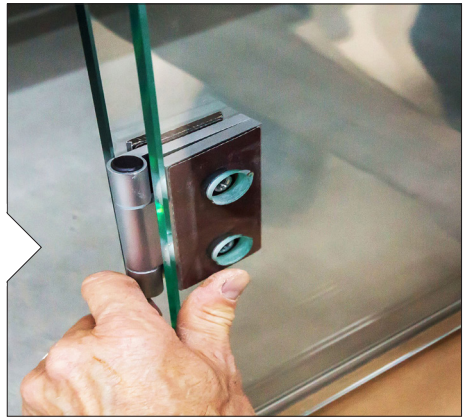
3.4.



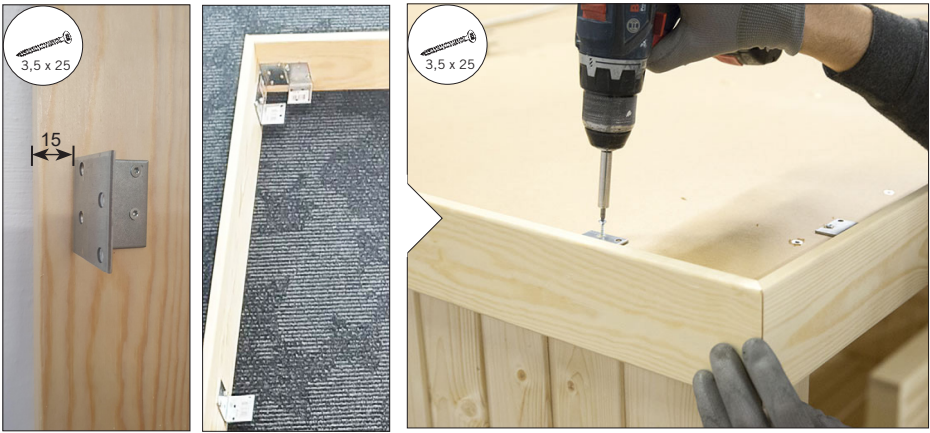


3.5.





3.6.



3.7.





Almost Heaven Saunas, 11261 James Street, Holland, MI 49423
Office 888.355.3050 | sales@almostheaven.com | www.almostheaven.com