

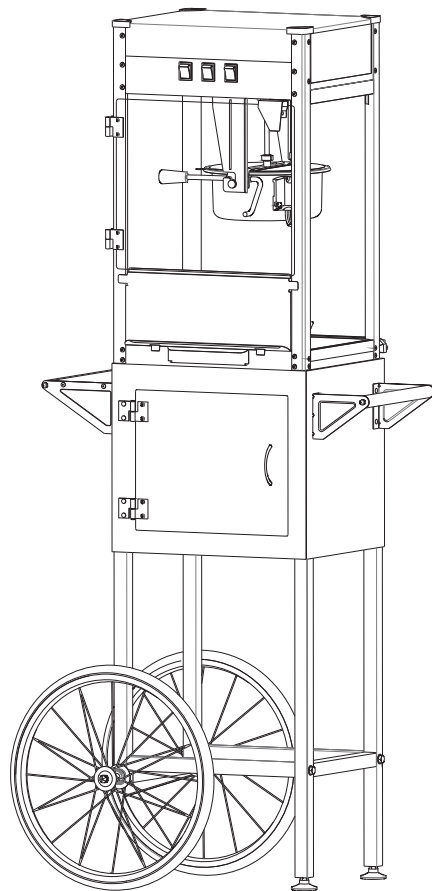
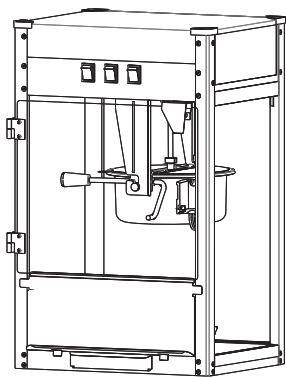
ROVSUN[®]

POPPER USER MANUAL

All products are trademarks of ROVSUN.
Design & utility patented or patents pending.
©2020 Copyright ROVSUN ALL rights reserved.

www.rovsun.com

ROVSUN[®]



Single door: ZT8501;
RPM-B 8 Oz. RETRO BLACK POPPER
RPM-R 8 Oz. RETRO RED POPPER
RPMC-B 8 Oz. RETRO BLACK POPPER WITH CART
RPMC-R 8 Oz. RETRO RED POPPER WITH CART

Appliance Specifications:

120 Volts, 60 Hz, 850 Watts

ETL Approved

THIS PRODUCT IS FOR USE IN 120V AC OUTLET ONLY.

INTRODUCTION

Thank you for purchasing this 8OZ RETRO POPCORN MACHINE! This popper will be the hit of every party, home movie theatres, little League, varsity games, businesses, etc. Convenient 3 switches operation Includes a light warmer, stirrer, and pot heater. The RETRO POPCORN MACHINE features a large, stainless steel kettle with a built-in stirring system, providing hot, fresh, kettle cooked popcorn per batch. The machine includes a drawer to keep unpopped kernels out of each perfect batch and a warm system to keep popcorn fresh and delicious. The popper has an easy-to-clean design and an accessible connection system to combine with a moveable cart.

SAFETY

Your safety and the safety of others are very important.

We have provided many important safety guides in this user manual and on the equipment. Always read and obey all safety guides.



This is the safety alert symbol.

This symbol alerts you to potential hazards that can kill or hurt you and others.

All safety guides will follow the safety alert symbol.

All safety guides will tell you what the potential hazard is and how to reduce the chance of injury, and tell you what can happen if the safety guides are not followed.

IMPORTANT PRECAUTIONS

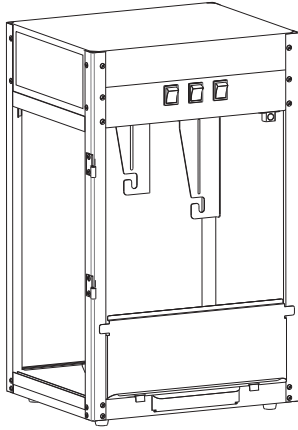
1. NEVER immerse any part of this equipment in water.
2. NEVER use near water, gas or electric burner.
3. NEVER place objects in contact with heated surfaces.
4. NEVER use an abrasive sponge nor cloth.
5. NEVER use a scouring pad on the appliance.
6. NEVER leave appliance unattended while in use.
7. ALWAYS unplug the equipment when not in use, and during cleaning or servicing.
8. DO NOT operate this appliance with a damaged cord or plug, nor if the appliance ever malfunctions.
9. This appliance is NOT A TOY. Keep out of reach of children.
10. Unsupervised young children and cognitively challenged individuals should never operate this appliance.

IMPORTANT SAFETY GUIDES

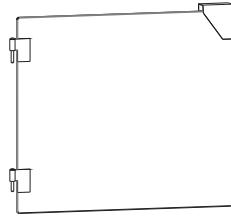
1. Read all instructions before operating this appliance.
2. Machine must be properly grounded to prevent electrical shock to personnel, failure to do so could result in serious injury.
3. DO NOT touch the kettle or any heated surface, Touching directly will result in burns.
4. ALWAYS use handle to operate.
5. ALWAYS keep door of Main Unit closed while operating.
6. Keep cord and plug off the ground and away from moisture.
7. DO NOT operate any appliance with a damaged cord or plug, nor if the appliance has been damaged in any manner.
8. Always unplug the equipment before cleaning or servicing.
9. Make sure all machine switches are in the OFF position before plugging the equipment into the receptacle.
10. DO NOT operate the equipment without oil as corns may burn or smoke.
11. DO NOT move the equipment during operation.
12. Extreme caution must be used when moving this appliance.
13. DO NOT leave Kettle motor running once popping has ceased.
14. The equipment must be properly assembled before using.
15. Improper installation, adjustment, alteration, service, or maintenance can cause property damage, injury, or death.
16. This appliance is intended for residential or personal use only, any alterations to this equipment will void the warranty and may cause a dangerous condition.
17. Do not attempt to service this appliance yourself, as opening or removing covers may expose you to dangerous voltage or other hazards. Refer all servicing to qualified service personnel.

8 OZ POPCORN MACHINE

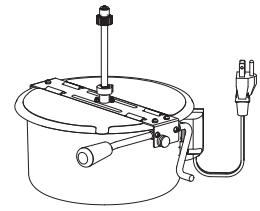
PARTS:



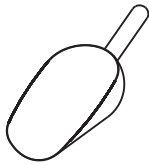
A. Main Unit x1



B. Door x1



C. Kettle x1



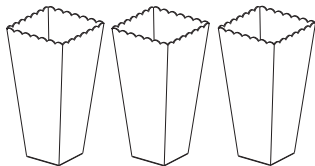
D. Popcorn scoop x1



E. Corn measuring cup x1



F. Oil measuring cup x1



G. Popcorn cup x3

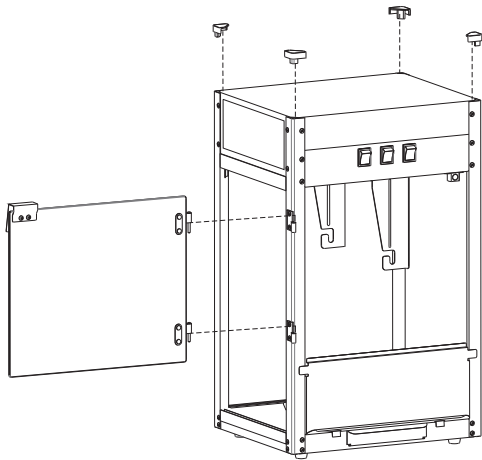


H. Powder shaker x1



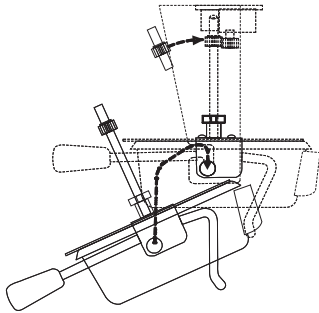
I. Corner cap x4

ASSEMBLY OF THE MAIN UNIT

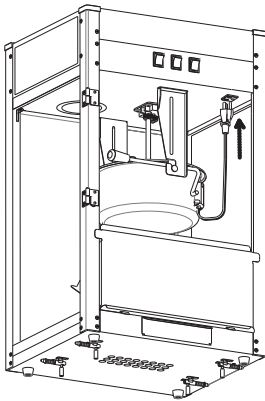


1. Remove all packaging and take out the parcel which was stored in the Main unit (A), find Glass doors (B) and insert pins into hinges.
meanwhile, put the four triangular caps (I) onto the corner of top plate.

Note: Always place the equipment on a sturdy & level base.



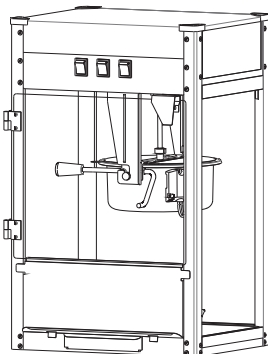
2. Put the Kettle (C) onto hangers which located in the Main Unit (A), slip hanger bars into slots on hangers.
Make sure gears are properly meshed together.



3. Plug the Kettle (C) into the outlet which located on the ceiling of Main unit (A).

CAUTION:

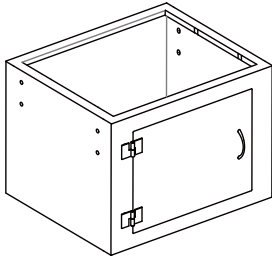
Before plugging, make sure all switches are in OFF position.



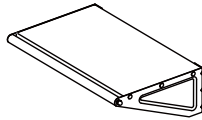
4. The assembly of Main unit finished.
MAKE SURE the Kettle is seated well and all parts are well assembled.

POPCORN MACHINE CART

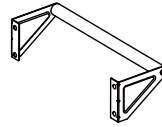
PARTS:



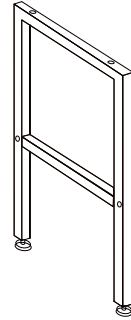
J. Storage case x1



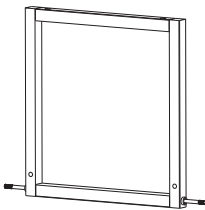
K. Working platform x1



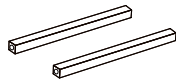
L. Handle x1



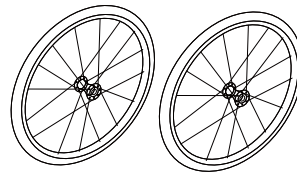
M. Base Leg x1



N. Base leg with Axle
(assembly with
wheels) x1



O. Base leg
connector x2



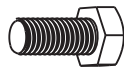
P. Wheel x2



Q. Wrench x2



R. Hex bolt x8



S. Hex bolt x8



T. Nut x8

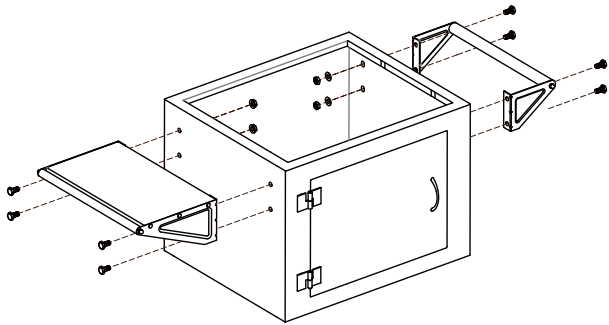


U. Cap nut x2

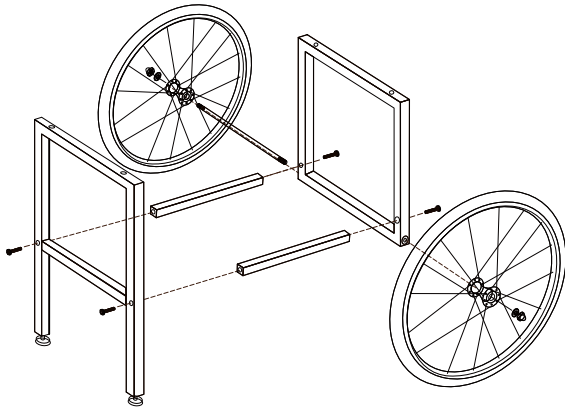


V. Washer x14

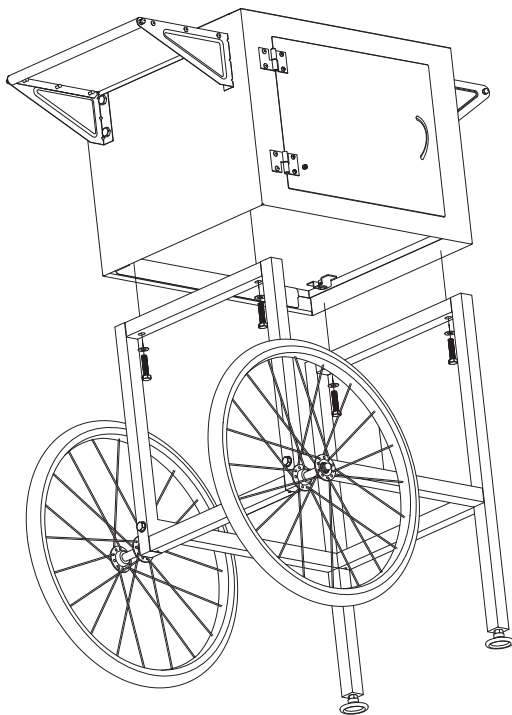
ASSEMBLY OF BASE SUPPORT



1. Assemble the Working platform (K) onto the left side of Storage case ,and the Handle (L) onto the right side. Secure with Hex bolts(R) and Washers (V) & Nut (T) .

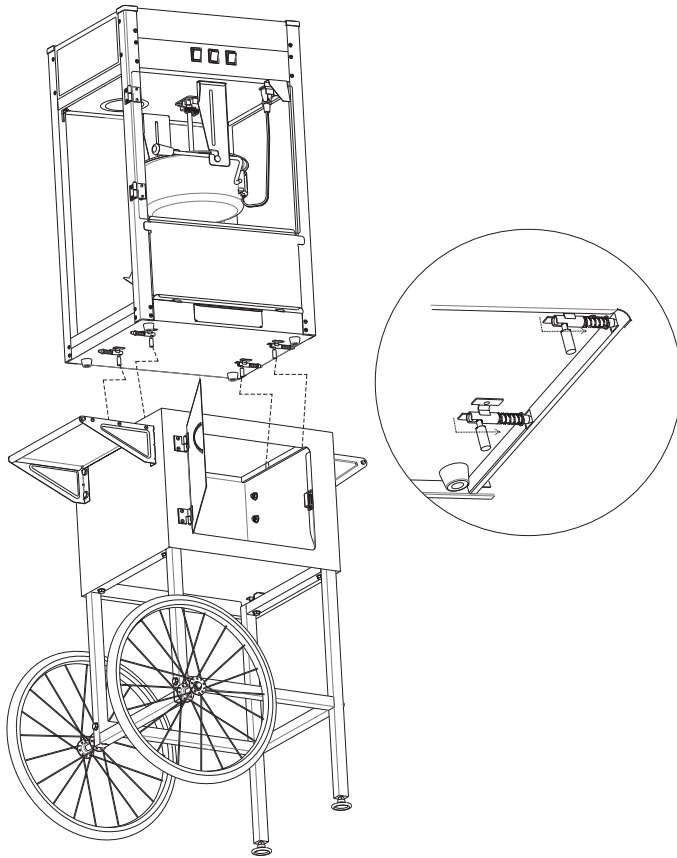


2.Put one wheel (P) on one side of Axel (N), add Washers and Cap nuts (U), spin a few threads in. then repeat on other side. Tighten by wrench provided (Q). Then connect two Base legs (M&N) by Base connectors (N),secure with Hex bolt (R).



3.Put the Storage case onto the assembled legs, attach washers (V) and Hex bolts (R), then tighten by wrenches provided (Q).

ASSEMBLY OF MAIN UNIT & BASE SUPPORT



1. Put the top Main unit onto the assembled base support, turn and insert four pins into the hole of Storage case (J).

ATTENTION:

Make sure the Main unit and assembled base support are well secured by pins.

DO NOT move the equipment before security.

HOW TO OPERATE



Warmer



Stirrer



Pot Heater

WARMER SWITCH: Supplies power to the interior cabinet light and warming element in the bottom tray.

STIRRER SWITCH: Supplies power to the agitator motor, operates the stirrer which is inside the kettle. Be sure gears on the kettle and motor are properly meshed together before starting.

POT HEATER SWITCH: supplies power to the heating element in the kettle. Kettle gets very hot, ALWAYS use handle to operate.

Before first use, clean the inside of the unit by wiping with a moist, non-abrasive sponge, towel or cloth and then wipe with a non-abrasive dry towel. Wipe down the inside of the Kettle and be sure it is properly placed in the brackets before starting.

1. Place the equipment on a flat surface near an electrical outlet. Make sure the cord is away from any water source.
2. Gather your popcorn making supplies: popcorn, seasonings, bowls or bags for holding the popcorn, cooking oil, Kernel Measuring Cup and Oil Measuring Spoon.
(Kernel Measuring Cup and Oil Measuring Spoon are included with your unit).
3. Make sure Kettle is properly secured in support brackets.
4. Make sure Kettle motor is plugged in.
5. Plug in the appliance while switch is flipped to OFF position.
6. Switch on the WARMER and POT HEATER, add oil (8 TBSP of oil for every 1 CUP of popcorn kernels), let heat for 3 to 4 minutes.
7. Once oil is heated, turn on the STIRRER switch and add popcorn kernels. Close the door. Always keep door closed while operating.
8. Do not exceed (2)1/2 CUPS of popcorn kernels per batch (1 CUP total).
9. Once popping has completed, turn OFF the STIRRER and POT HEATER switches, carefully dump all popcorn from the kettle.

CLEANING & MAINTENANCE

1. Turn all switches to the OFF position.
2. Unplug the outer plug to the outlet .
3. Allow kettle to cool at least 1 hour before cleaning. DO NOT use ice or water to cool down a hot kettle!
4. After cool, unplug the kettle motor plug and remove the kettle from main unit.
5. Fill $\frac{2}{3}$ of Kettle with hot, soapy water and let sit for 15 – 20 minutes to cut the grease. (Time may vary – use your own judgment depending on the amount of cleaning necessary.)
6. Empty water. If necessary, use the scrubber side of a cleaning sponge to scrub inside of Kettle.
7. Wipe the inside of the kettle with a clean, soft cloth. DO NOT use oven or abrasive cleaners as they will damage the kettle.
8. Clean the inside & outside of the main unit by wiping with a clean, soft ,moist cloth.

CAUTION:

1. ALWAYS UNPLUG the equipment before cleaning or servicing.
2. DO NOT use ice or water to cool down a hot kettle!
3. DO NOT use oven or abrasive cleaners as they will damage the kettle.
4. DO NOT immerse any part of this equipment in water.

CUSTOMER SERVICE

ROVSUN[®]

www.rovsun.com

Phone service: (1) 855-882-2333

E-mail Service: Support@rovsun.com

(Working Day: MON-FRI 11:00AM-5:00PM ET)

ROVSUN[®]

All products are trademarks of ROVSUN.
Design & utility patented or patents pending.
©2020 Copyright ROVSUN ALL rights reserved.

www.rovsun.com