

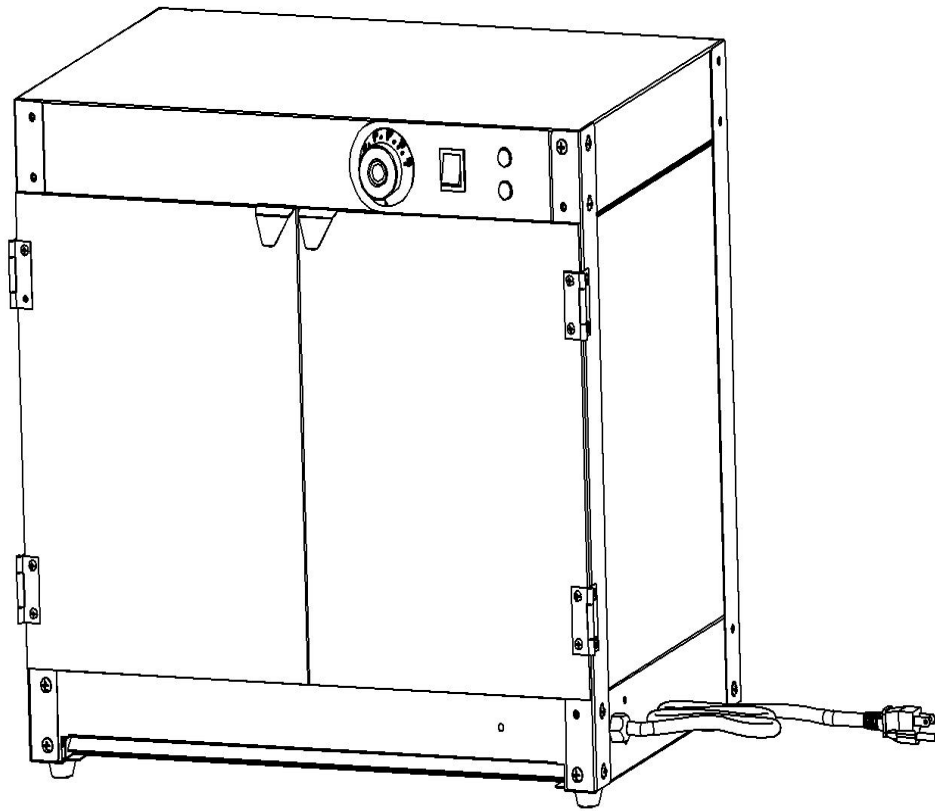
# ROVSUN

## COMMERCIAL FOOD DISPLAY WARMER

Model# NB-02/NB-03  
**USER'S MANUAL**

**⚠ CAUTION! WARNING:** Do not use this device before reading these instructions.

---



MADE IN CHINA

# Table of Contents

Warnings & Precautions ----- 03

Technical Specification ----- 03

Users Instruction ----- 04

Care and Maintenance ----- 05

When using electrical appliances, basic safety precautions should always be followed including the following:

## READ ALL INSTRUCTIONS BEFORE USE

1. Read all instructions before using this appliance.
2. This appliance is hot when in use. To avoid burns, do not let bare skin touch hot surfaces. If provided, use handles when moving this appliance. Keep combustible or flammable materials such as, but not limit to, curtains and table cloth away.
3. To protect against electrical shock, do not immerse cord, pug or appliance in water or any other liquids.
4. Do not operate any appliance with a damaged cord or plug or after the appliance malfunctions, has been dropped or damaged in any manner.
5. Any repairs to this appliance should be carried out by a qualified service person.
6. Do not spray water to the product.
7. Make sure the power cord is firmly and completely plugged into the outlet.
8. Do not use outdoors.
9. Make sure to connect to a properly grounded outlet before use.
10. Use this appliance only as described in this manual. Any other use not recommended by the manufacturer may cause fire, electric shock or injury.
11. This Product is only designed to maintain previously cooked food at serving temperature. Do not use this product to cook food.
12. Do not leave this product operating unattended.

## SAVE THESE INSTRUCTIONS

## Specifications

Model Number	NB-02	NB-03
Dimensions (W x D x H)	24"x15"x20"	20"x20"x24"
Weight	38lbs	44lbs
Power Rating	0.8 KW	0.8 KW
Voltage	110 V	110 V
Frequency	60 Hz	60 Hz
Warmer Temperature	86°F - 230°F (30°C - 110°C)	86°F - 230°F (30°C - 110°C)

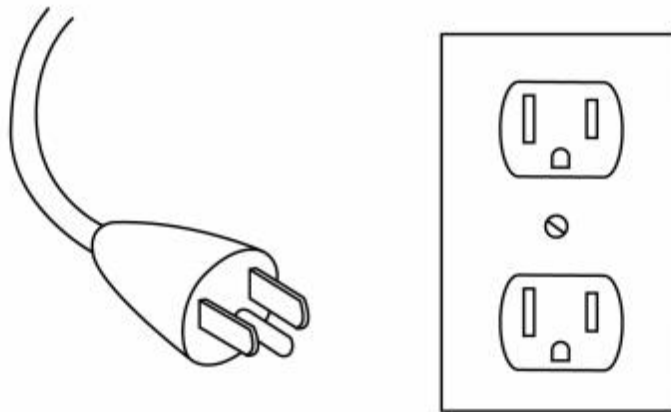
# User Instruction

## Grounding

This product must be grounded. If it should malfunction or breakdown, grounding provides a path of least resistance for electric current to reduce the risk of electric shock.

**⚠ CAUTION! WARNING:** Improper connection of the equipment grounding conductor can result in a risk of electric shock. Check with a qualified electrician or serviceman if you are in doubt as to whether the product is properly grounded.

**⚠ CAUTION! WARNING:** DO NOT modify the plug provided with the product if it does not fit the outlet. Have a proper outlet installed by a qualified electrician.



## Before use

Before first use, clean the unit as described in the care and maintenance section.

Make sure the outlet voltage matches the rated voltage of the product.

# User Instruction

## Operation Instruction

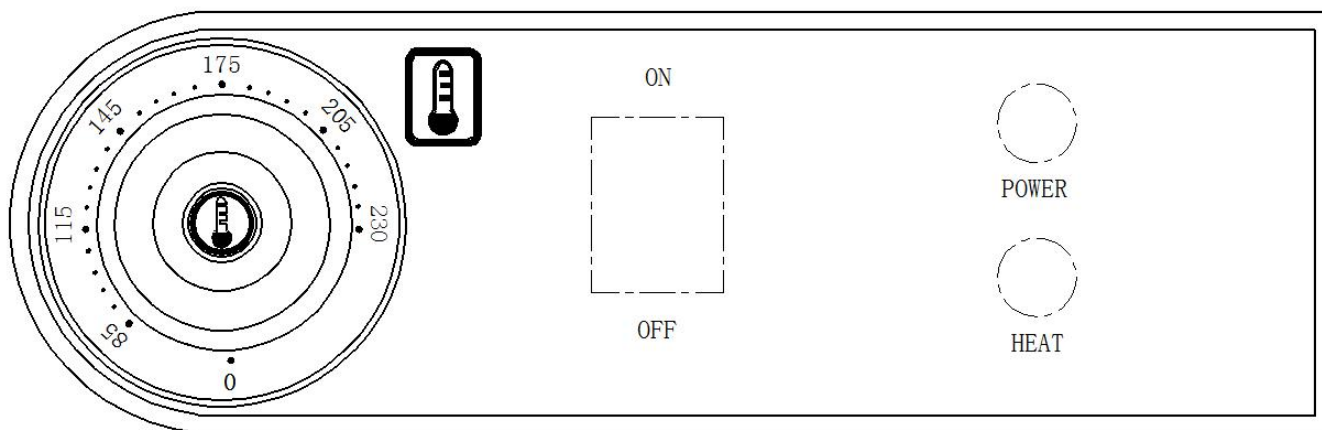
Plug the power cord into a power socket and the unit will automatically turn on. The power light indicator will light up to indicate the unit is powered on.

Turn the temperature knob to select your desired temperature. 86°F - 230°F(30-110°C )

Toggle the light switch to “ON” position to turn on the interior light.

**⚠ CAUTION! WARNING:** Place the food in the warmer with at least 140°F / 60°C and regularly check the food temperature to prevent bacteria growth.

**⚠ CAUTION! WARNING:** Stop using and immediately unplug the unit if the machine is emitting smoke or odor.



## Care and Maintenance

### Cleaning the unit:

Always unplug the unit from power outlet and allow the unit to completely cool down before servicing or cleaning.

Dampen a sponge or cloth with soupy water and wipe the unit.

Do not clean the unit with abrasive cleaning solution to prevent damage to the thermal insulation.

Do not spray the unit with water.

Make sure to clean the unit before and after using to prevent bacteria growth.