

# ROVSUN

YPE-12C

**Portable Air Conditioner**

**User's Manual**



**Thanks for selecting this high-quality mobile air conditioner. Before use please read this manual carefully. For problems,if any, please contact professional servicemen in time.**

# Table of Contents

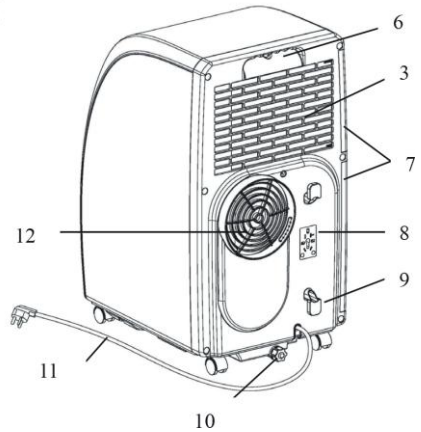
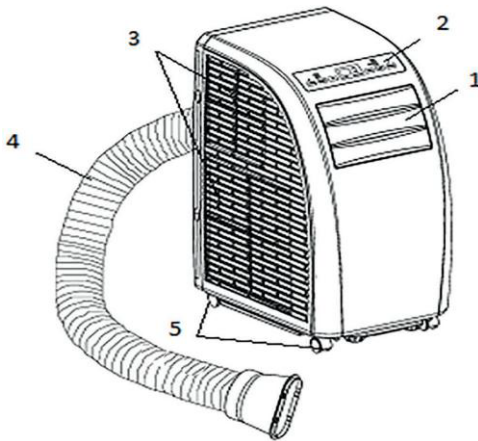
<b>Safety Instructions.....</b>	<b>1</b>
<b>Product Description.....</b>	<b>2</b>
<b>Control Panel.....</b>	<b>3</b>
<b>Remote Control .....</b>	<b>4</b>
<b>Use and Operation.....</b>	<b>5</b>
<b>Installation.....</b>	<b>6</b>
<b>Installation of Window Sealplate.....</b>	<b>7</b>
<b>Drainage operation.....</b>	<b>8</b>
<b>Cleaning and Care.....</b>	<b>9</b>
<b>Trouble shooting .....</b>	<b>10</b>

# Safety Instructions

- Please put the air conditioner in flat and dry places. Keep the air conditioner 50cm away from the surrounding objects.
- Power supply of the air conditioner shall comply with the safety regulations where it is used and ensure reliable grounding.
- After installation of the air conditioner, ensure the plug is perfect and can be inserted into the socket securely.
- Keep air inlet and outlet unimpeded.
- the appliance shall be installed in accordance with national wiring regulations
- The air conditioner shall be far away from gasoline, cooking stoves or other combustibles and heat sources.
- Always keep regular and orderly placement of wires to avoid stumbling people or pulling out the plug.
- If the supply cord is damaged, it must be replaced by the manufacturer, its service agent or similarly qualified persons in order to avoid a hazard.
- This appliance can be used by children aged from 8 years and above and persons with reduced physical, sensory or mental capabilities or lack of experience and knowledge if they have been given supervision or instruction concerning use of the appliance in a safe way and understand the hazards involved. Children shall not play with the appliance. Cleaning and user maintenance shall not be made by children without supervision.

- The air conditioner is only used for households other than other places.
- Please do not install the air conditioner in washhouses or other places with water and moist.
- Please do not turn on or off the air conditioner by inserting or pulling out the plug.
- Do not place things on the air conditioner.
- Do not put anything into air inlet and outlet.
- Do not use insecticide spray or other flammable matters in the vicinity of the air conditioner.
- Do not splash oil or water into the air conditioner.
- Do not clean the air conditioner with water, but wipe with semi-wet soft cloth.
- Do not wipe the air conditioner with chemical solvents such as benzene, gasoline and alcohol, etc. If the air conditioner is dirty indeed, please scrub with neutral detergents.

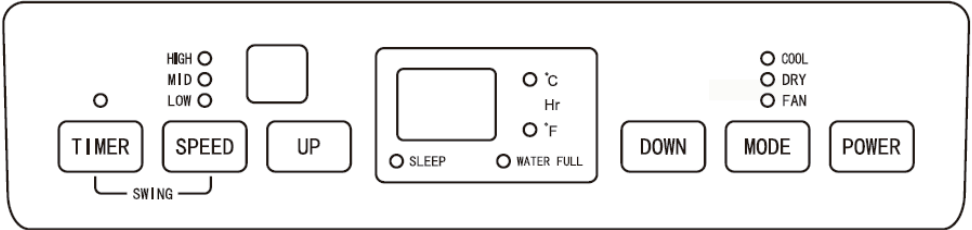
## Product Description



1 Guide strip	7 Strainer
2 Control panel	8 For installation of power line plug
3 Inlet grid	9 Buckle of power line
4 Exhaust pipe	10 Drainage outlet
5 Corner wheel	11 Power line with plug
6 Handle	12 Exhaust outlet



# Control Panel



POWER	Press this button to turn on or off the air conditioner.
MODE	During on or timer on pressing this button can select COOL, DEHUMIDIFY, FAN etc. The corresponding indicator lamp to the selected mode is on.
UP/DOWN	If the timer on or timer off is set, pressing UP or DOWN can adjust on/off time; in running state of COOL or timer state, pressing UP or DOWN can adjust the set temperature; and pressing UP and DOWN simultaneously can realize conversion between ℃ and ℉, and ℃ is displayed in default.
SPEED	Pressing this button can select different speeds in cycle of HIGH, MID and LOW; in FAN mode press this button for 5s to run the internal dry function, press this button for another 5s to cancel, the corresponding indicator lamp to the selected speed is on.
TIMER	Press this button to enter timer setting state, and the indicator lamp is on.
88	This pattern displays the set temperature in COOL modes, and displays room temperature in FAN and DEHUMIDIFY modes; display of °C shows current centigrade temperature, and display of °F shows current Fahrenheit temperature.
SLEEP	This indicator lamp is normally on when SLEEP state is started.
WATER FULL	In water full state this indicator lamp flickers with buzzer to prompt drainage.
Timer+SPEED	Press at the same time for 2 seconds, the deflector will swing.

# Remote Control

1

## Power key

Press the key to turn ON/OFF the A/C.

2

## Speed key

Press the key to choose high/low speed.

3

## Temperature/ time adjusting key

Press the key at cooling mode to increase/reduce the setting temperature; press it at timing mode to adjust timing ON/OFF time.

4

## Mode key

Press the key to choose cool, fan, dry.

5

## Timer key

Press the key at standby mode to set ON time.  
Press this key at ON mode to set OFF time.

6

## Sleep Key

Press the key to choose sleep mode.

7

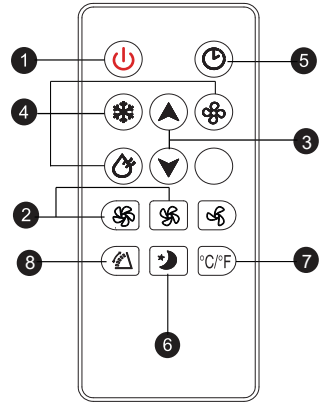
## °C / °F

Press the key to switch °C and °F.

8

## Swing key

Press this button or press the speed key and timing key simultaneously to turn on / off the swinging function.



# Use and Operation

## Setting of timer off

When the air conditioner is running, press this button, the timer LED lamp is on, and meanwhile the display will flicker "00" for 5 times, at the moment, press UP and DOWN to adjust time from 1 h to 24h. Between 1~24h of timer, up/down adjustment once changes 1h. When the set time expires, the air conditioner turns off automatically.

## Setting timer on

When the air conditioner is in standby state, press TIMER, the timer LED lamp is on, and meanwhile the display will flicker "00" for 5 times, at the moment press UP/DOWN to adjust the desired time, and the method of adjustment is the same as that during timer off. During setting of timer, the operating modes after start can be selected, if COOL mode is selected, the set temperature can be adjusted simultaneously; if DEHUMIDIFY mode is selected, the set humidity can be adjusted simultaneously. After the set time expires, the air conditioner starts automatically and runs in the selected operating mode.

## Change of the set time / Turning the timer off

In the running process of timer, if you are intended to change the existing timer, you can press TIMER once, at the moment 88 Nixie tube will flicker and display the remaining time, during flicker pressing UP/DOWN can increase/decrease time on the basis of the original time. If you press TIMER again during flicker, the set time will be cancelled, namely timer quits.

## COOL mode

- In on or timer on state press MODE to select COOL mode. At the moment the corresponding LED on panel displays.
- Press UP/DOWN to set appropriate temperature in a range of 18~30°C (64~86°F). When UP or DOWN is pressed once, temperature will go up or down by 1°C or 1°F every time.
- Press SPEED to select appropriate speed, and LOW, MID and HIGH speeds can be circularly selected.
- After selecting COOL mode, press SLEEP on remote control (or press UP and TIMER on operating panel simultaneously) to enter SLEEP mode, both upper and lower fans are forcibly set at LOW speed. In approximate 7h the air conditioner turns off automatically. If SLEEP is to be cancelled, press SLEEP again or conversion mode to cancel the sleep function.
- Press SWING to turn off or turn on the swing function.

## DEHUMIDIFY mode

- In on or timer on state press MODE to select DEHUMIDIFY mode. At the moment the corresponding indicator lamp is on.
- Temperature and speed are not adjustable.
- Press SWING to turn off or turn on the up/down swing function.

## FAN mode

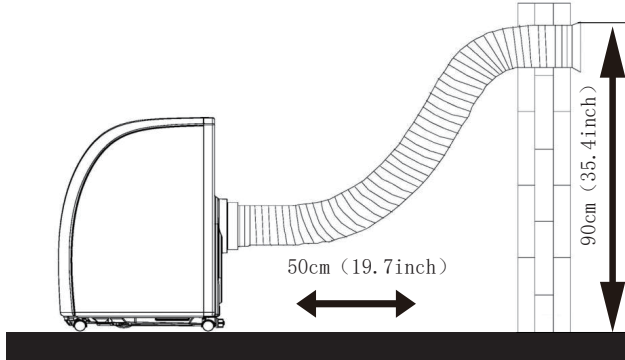
- In on or timer on state press MODE to select FAN mode. At the moment the corresponding indicator lamp is on.
- Press SPEED to select appropriate speed, and LOW, MID and HIGH speeds can be circularly selected. In this mode press SPEED for "5s" to run the internal dry function, i.e. both upper and lower fans work simultaneously. Press SPEED for another "1s" to cancel the internal dry function.
- Temperature is not adjustable.
- Press SWING to turn off or turn on the up/down swing function.

### Important Hints on Use

- When full water indication is displayed, the air conditioner will stop work, you should drain water in time. After drainage the air conditioner will start automatically.
- In DEHUMIDIFY and FAN (including the internal dry function) modes, you need not use exhaust pipe.
- If your room faces the sun directly, please draw the curtains.

## Installation

### BEST INSTALLATION

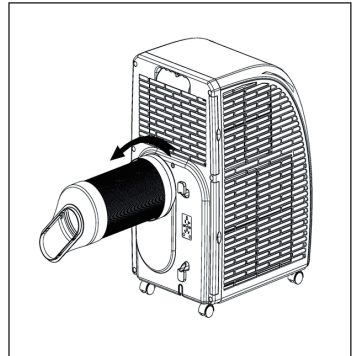


### Location

Install in a flat and dry place, and 50cm must be left around the air conditioner to enable smooth circulation of air, as shown in Fig.5 (before connection of exhaust pipe).

### Assembly method of exhaust pipe

- Connect exhaust pipe assembly with round joint.
- Fix the round end of the connected exhaust pipe assembly at air outlet of the air conditioner as shown in figure.
- Connect the oblate joint of the connected exhaust pipe assembly with sealplate of window.
- Install sealplate on the nearest window. No Obstacles at a distance of 50cm around the Window should be ensured to guarantee unimpeded air exhaust.



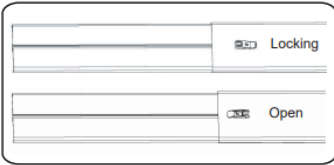
### Cautions

- Exhaust pipe is 60cm~170cm long (including adapter). We recommend using the minimum length so as to save energy for you.
- The length of exhaust pipe is especially designed in accordance with the specification of the air conditioner. Please do not use other exhaust pipes of different lengths or materials, in such way failure may be caused.

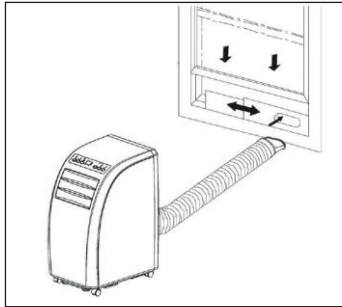
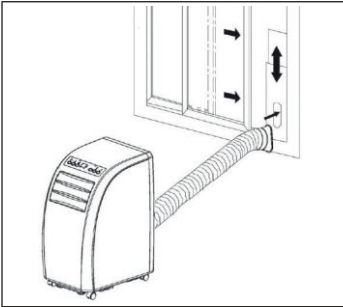
# Installation of Window Sealplate

Design of window sealplate complies with most standard horizontal or vertical windows, and the installation methods are shown in pictures below.

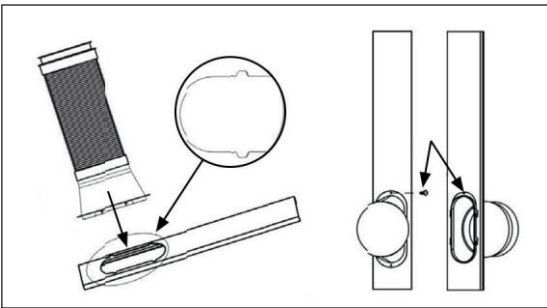
1. Measure the size of window.
2. Adjust the length of the window sealing plate to fit the size of the window.



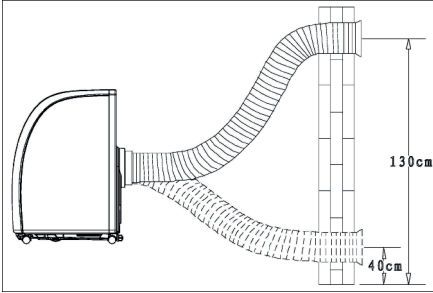
3. Install the fixed window sealing plate on the window (see pictures).



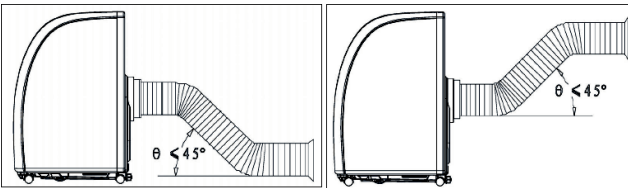
4. Insert the air exhaust hose into the window sealing plate, fix it with screws.



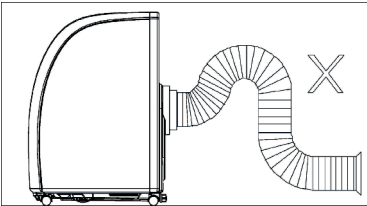
### Wall mounted



### Bow alignment

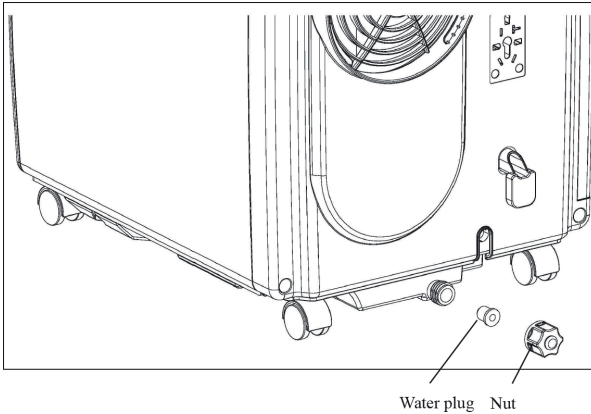


### Incorrect bending



## Drainage operation

- When COOL or DEHUMIDIFY is run in humid weather, more condensate is produced, water full alarm will be issued as the level in water pan reaches a certain location, compressor stops operation. Water full indication on display screen will light up and an audible alarm will be issued simultaneously till the level in water pan is lower than alarm level or water in water pan has been drained manually. When the alarm is relieved, the air conditioner will resume normal operation automatically.
- When the air conditioner issues water full alarm, please drain water in time. You can move the air conditioner to the site where water can be drained directly (such as toilet or sewer), unscrew nut and pull out water plug to drain all water. Install water plug and nut before use. When water is full, please move the air conditioner steadily, otherwise, water may overflow from inside.



## Cleaning and Care

Before cleaning turn off the air conditioner and pull out the plug.

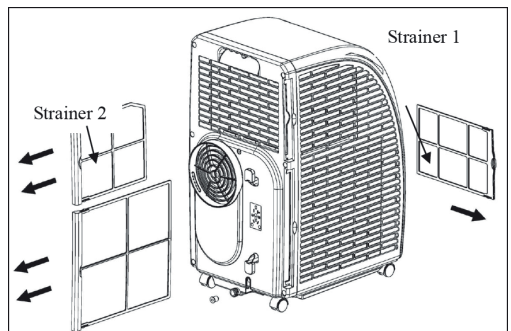
### Cleaning surface

Clean surface of the air conditioner with duster or semi-wet soft cloth. Do not use chemical reagents, such as benzene, alcohol and gasoline, etc. Otherwise surface of the air conditioner will be damaged, and even the whole air conditioner is damaged.

### Cleaning of strainers

If strainers are blocked by dust, air circulation will be impeded to reduce efficiency of the air conditioner. On condition that the air conditioner is used for long time, cleaning strainers once per two weeks is recommended.

1. Pull out strainers in the direction as shown in Figure.
2. Put strainers into warm water with neutral detergent (about 40 °C) and clean up, and after that dry in shade place.
3. Install strainers to the original position in the direction as shown in Figure.
4. Process of taking out strainers: first take out strainer 1; process of installing strainers: first install strainer 1 and then strainer 2.



**Postseason storage**

When the air conditioner is out of season or not used for long time, corresponding maintenance measures should be taken.

- Drain all water in water pan from outlet (water can be poured out by slowly leaning the body backward during drainage), and adjust operating mode to FAN mode, and then press SPEED for 5s till fan works, keep this operating mode for 2~3h. This method can dry inside of the body and prevent mildew.
- Turn off the air conditioner and pull out power plug.
- Wind up, fasten and put away power line.
- Remove exhaust pipe and keep properly.
- Set the air conditioner into plastic bag and put it in a dry place.
- Take out of cells of remote control and keep properly.

## Troubleshooting

Fault	Possible Cause	Solution
The air conditioner does not work.	Power off?	Normal phenomenon.
	Plug not inserted?	Insert power plug steadily.
	Fuse burnt out or power supply turned off?	Replace fuse or turn on power supply.
	Time set properly?	Change time setting.
	Water full alarm?	Pour water.
COOL effect not good.	Air inlet/outlet blocked?	Remove blocking.
	Other heating sources available in room?	Remove other heat sources.
	Strainers too dirty?	Clean strainers.
	Temperature setting appropriate?	Change temperature.
	Fan speed set at LOW?	Select appropriate speed.
Noise too large and shake.	Body inclined? Ground uneven?	Put the air conditioner on even ground.

Caution: when the following abnormalities occur to the air conditioner, shut down and pull out the plug, and then contact a professional electrician.

- Fuse and switch are often broken.
- Power line is overheating or its coat is naked.
- The body produces abnormal odour.

**Error Codes**

E1: Abnormal sense of coil pipe sensor	<b>NOTE:</b> When heating indicator is displayed, the air conditioner is in anti-freezing or defrosting state, and this is a normal phenomenon.
E2: Abnormal sense of room temperature sensor	
E4: Anti-frost protection	
FL: The air conditioner is in water full alarm state	