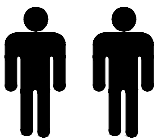
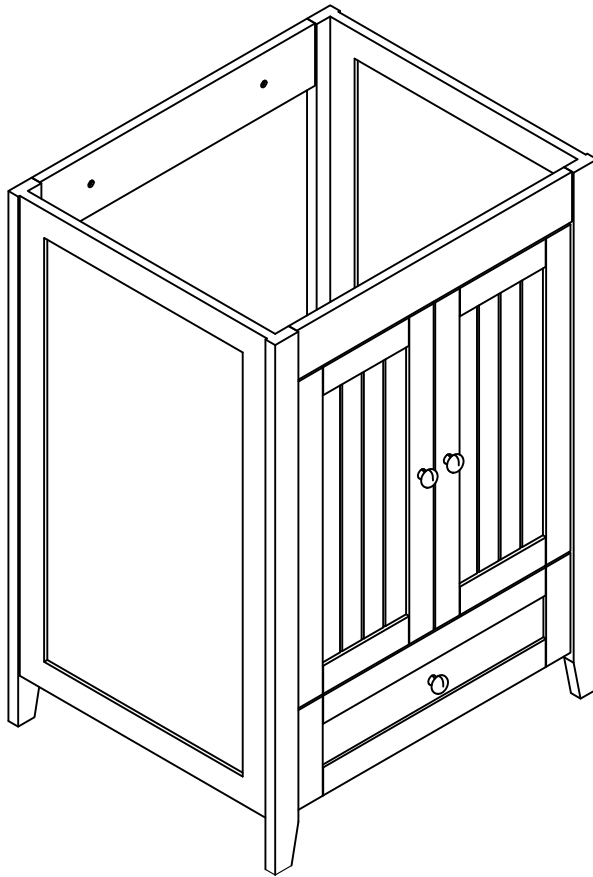
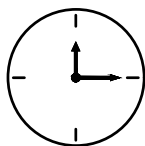


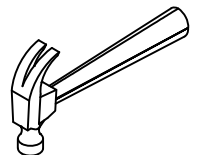
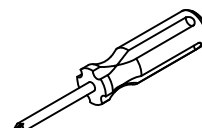
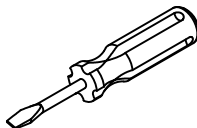
ASSEMBLY INSTRUCTIONS



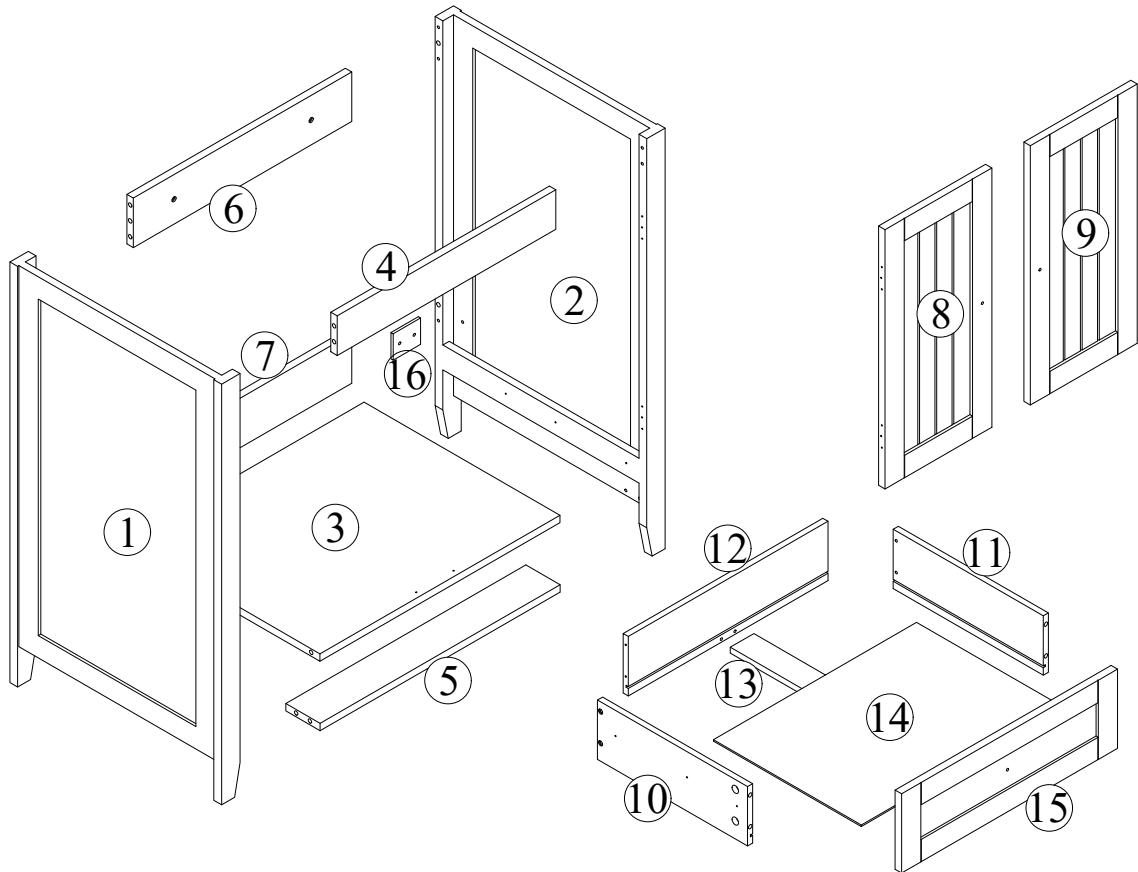
2 PERS.





40 MIN




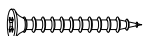
Components





| | |
|---|------|
| A | x 25 |
|  | |
| Φ6X35mm | |

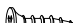
| | |
|---|------|
| B | x 25 |
|  | |
| Φ15X9mm | |


| | |
|---|-----|
| C | x 4 |
|  | |
| Φ8X30mm | |


| | |
|---|-----|
| D | x 6 |
|  | |
| Φ4X30mm | |


| | |
|---|-----|
| E | x 2 |
|  | |
| Φ3X12mm | |


| | |
|---|------|
| F | x 26 |
|  | |
| Φ3X14mm | |


| | |
|---|------|
| G | x 12 |
|  | |
| Φ3.5X14mm | |

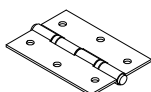
| | |
|---|-----|
| H | x 2 |
|  | |
| Φ4X14mm | |

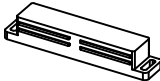
| | |
|---|-----|
| I | x 2 |
|  | |
| M4X16mm | |


| | |
|---|-----|
| J | x 1 |
|  | |
| M4X10mm | |


| | |
|---|-----|
| K | x 2 |
|  | |


| | |
|---|-----|
| L | x 2 |
|  | |
| 340mmL | |

| | |
|---|-----|
| M | x 4 |
|  | |

| | |
|---|-----|
| N | x 1 |
|  | |

| | |
|---|-----|
| O | x 2 |
|  | |

| | |
|---|-----|
| P | x 2 |
|  | |

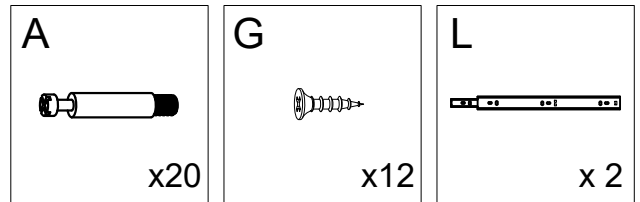
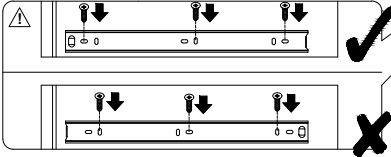
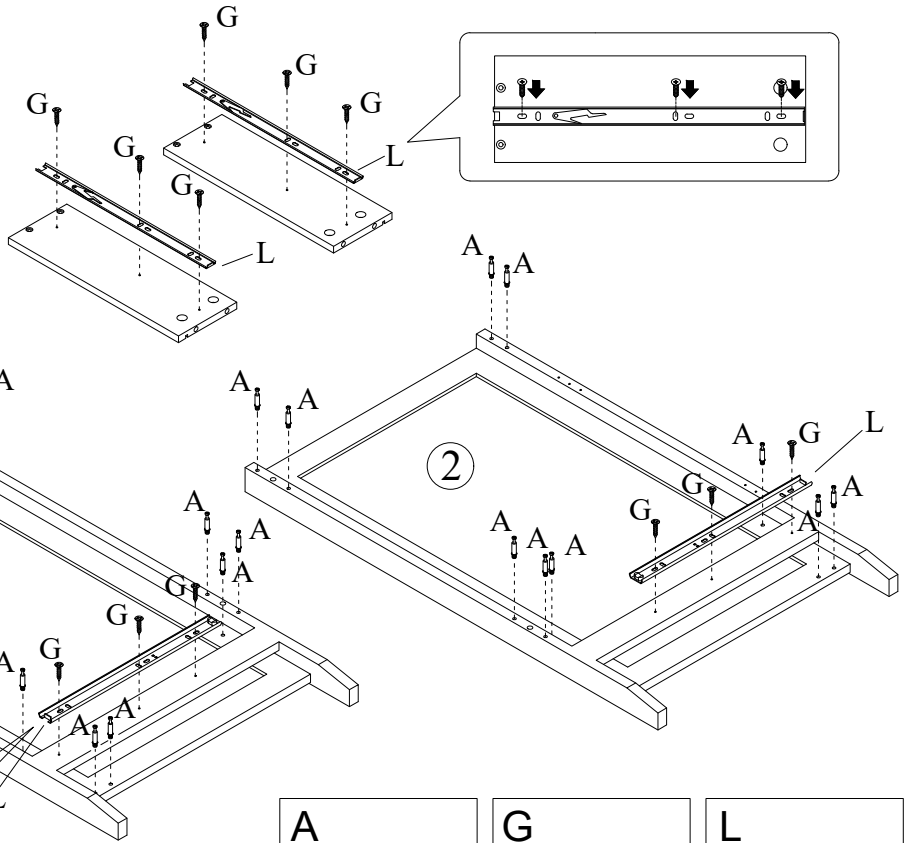
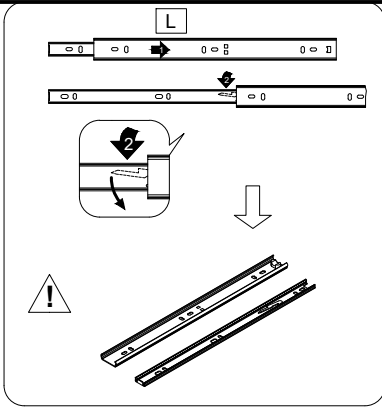
| | |
|---|-----|
| Q | x 2 |
|  | |
| Φ4X40mm | |

| | |
|--|--|
| | |
|--|--|

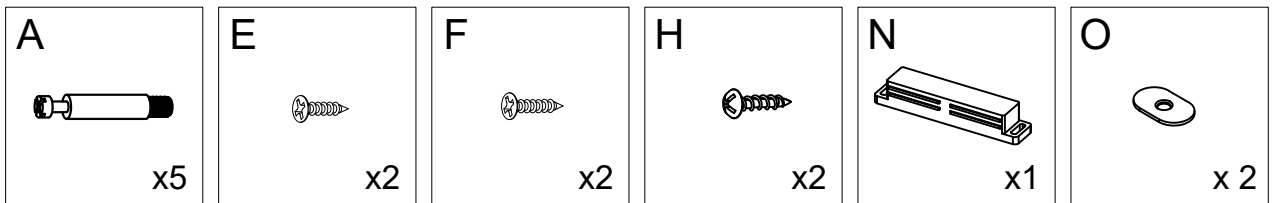
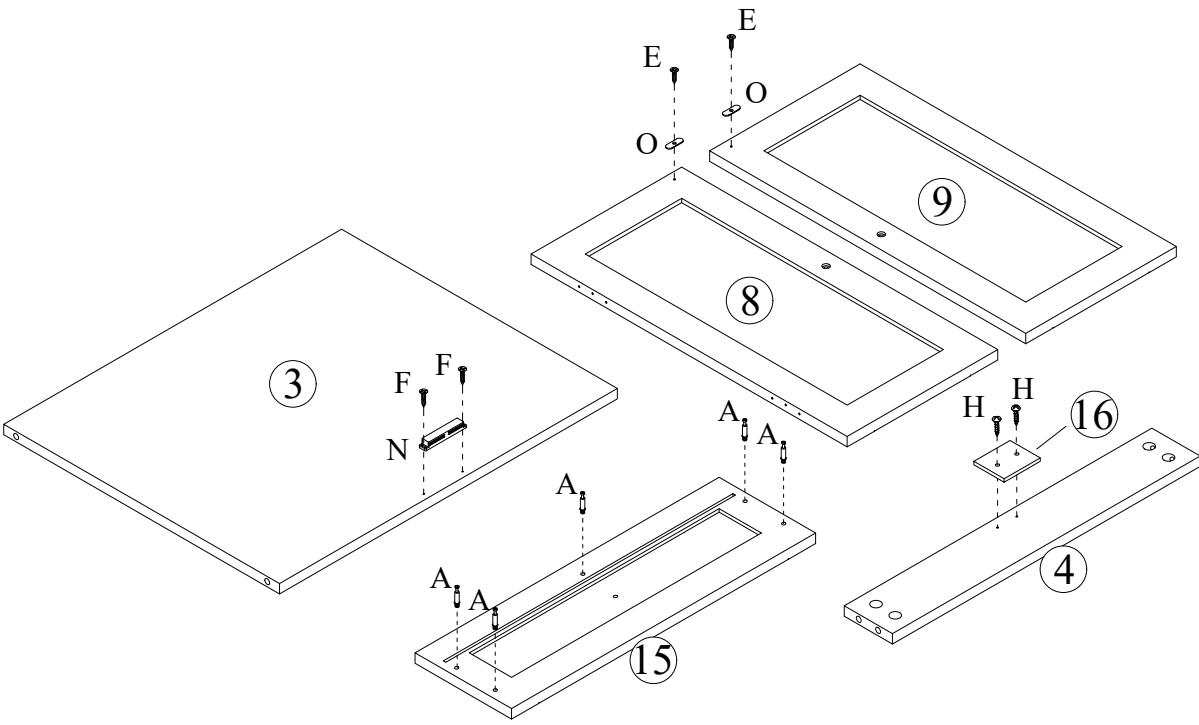
| | |
|--|--|
| | |
|--|--|

| | |
|--|--|
| | |
|--|--|

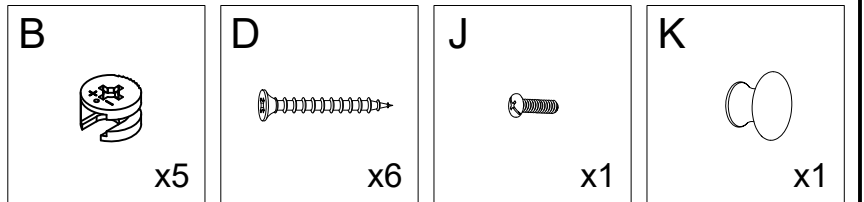
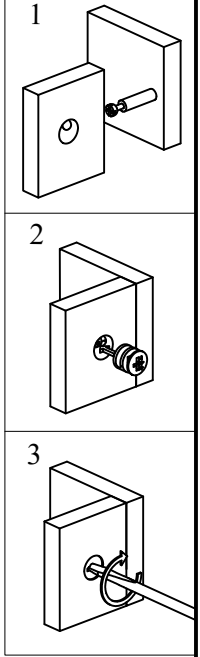
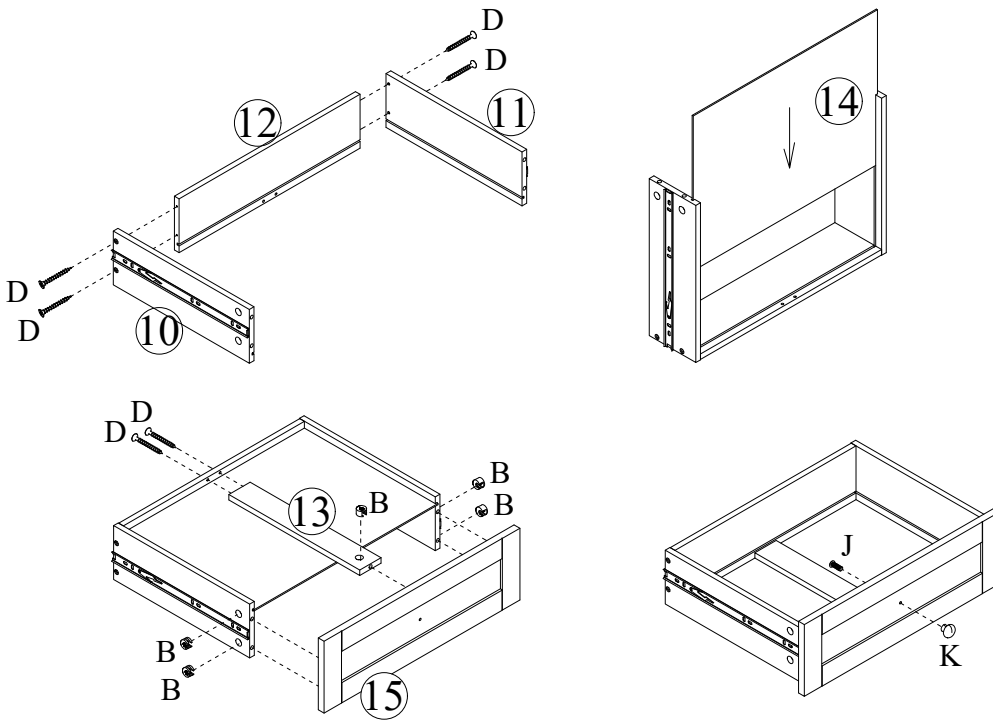
1



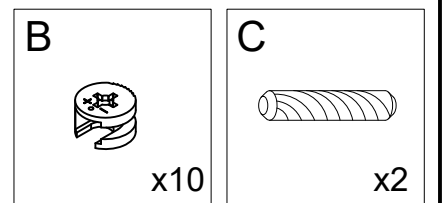
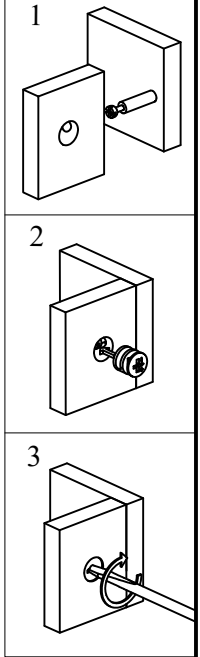
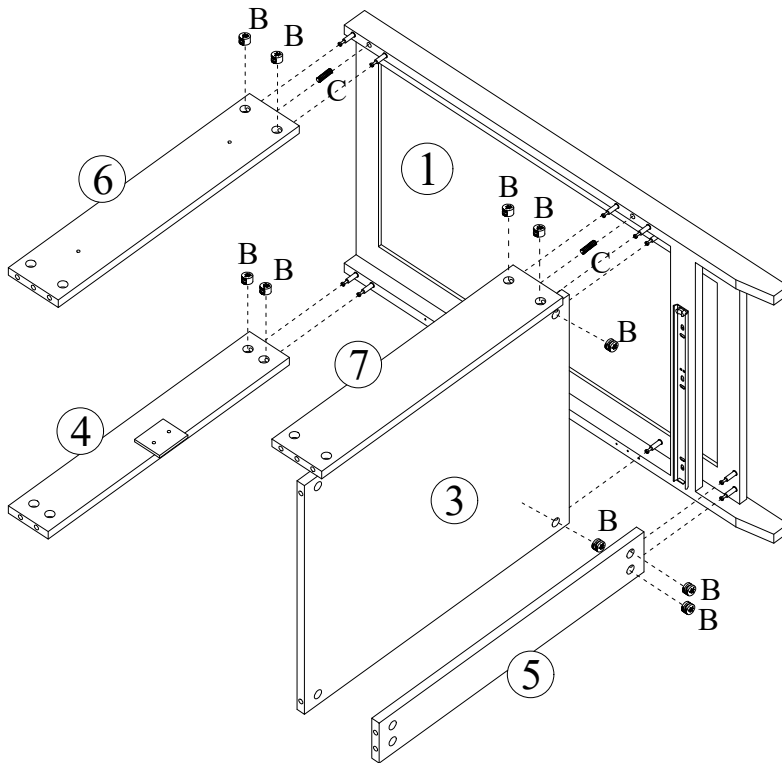
2



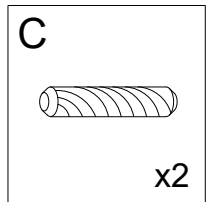
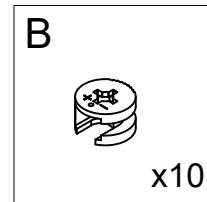
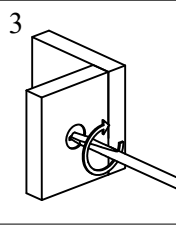
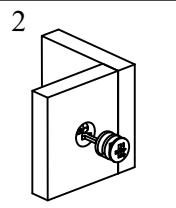
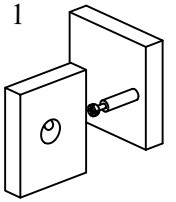
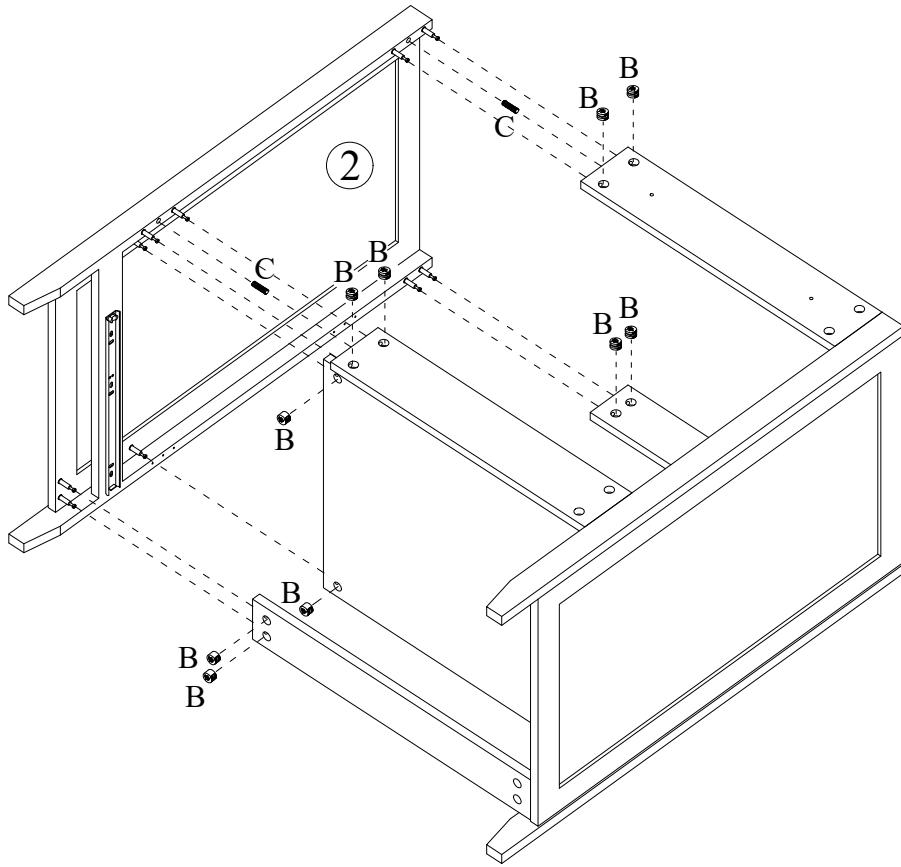
3



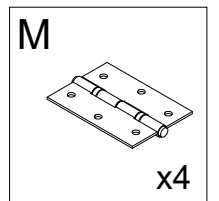
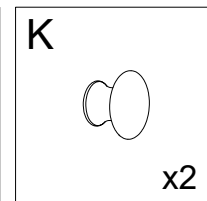
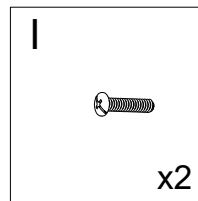
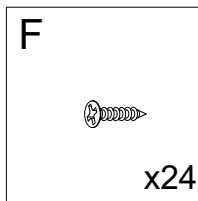
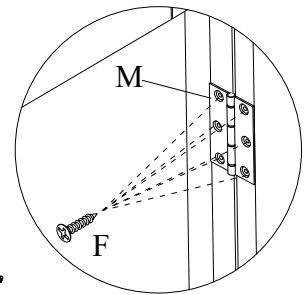
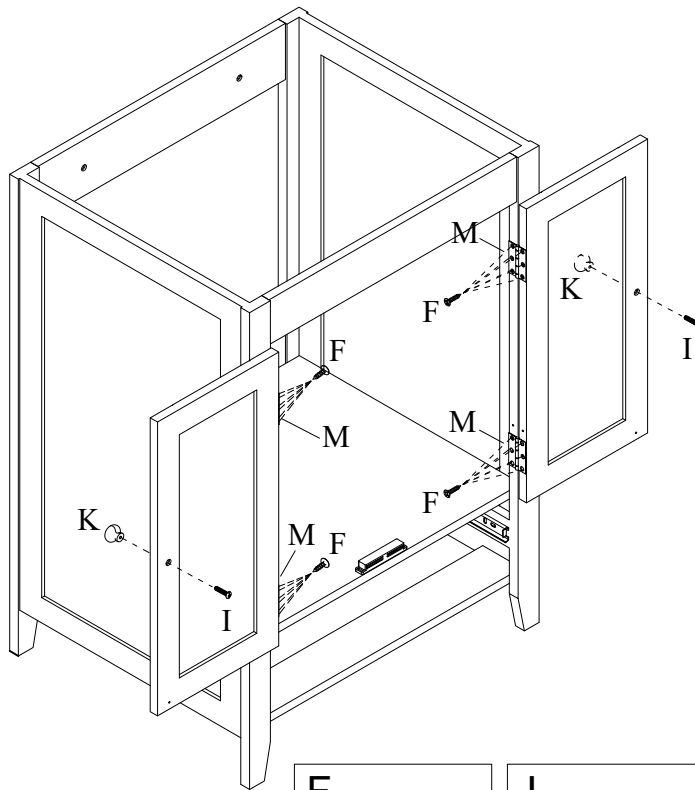
4



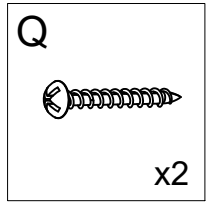
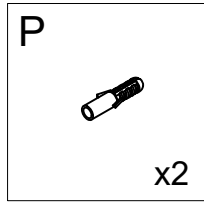
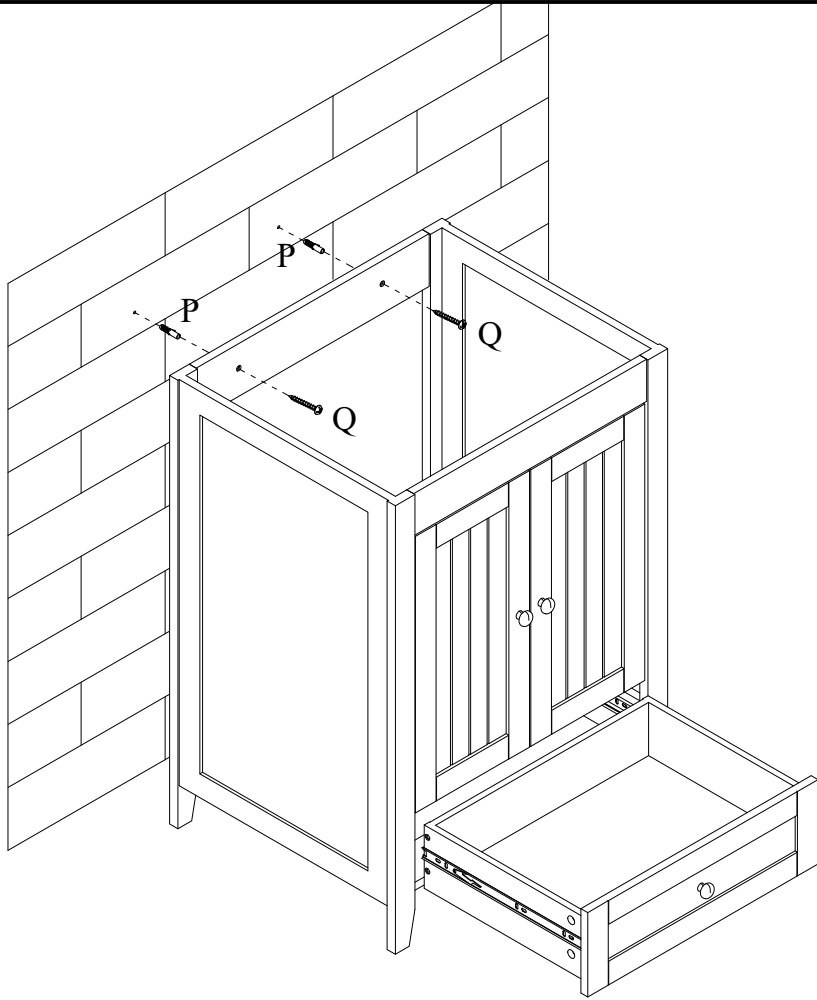
5



6



7



8

