

ROVSUN

Owner's Manual &
Operating Instructions

MODEL NO.: G57000504



- 16.5" High fully-welded stand ,
18"x 18" Diameter Cooking Surface.
- 60Qt Sturdy aluminum pot and strainer basket
- 10 PSI CSA Certified Regulator with Hose.
- Powerful jet burner disperses 150,000 BTU
- Chrome Plated Hanger

FRY !

Seafood Boiling !

For Outdoor Use Only

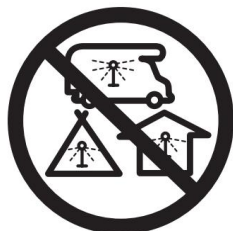
Read all Warnings and Operating Instructions before use and retain for future reference.

WARNING: Propane gas is highly flammable and under pressure in the cylinder or tank. Do Not store or use gasoline or other flammable liquids or vapors in the vicinity of this stove. If you detect the odor of gas, immediately evacuate the enclosed area and contact the appropriate authorities/professionals.

CAUTION

DO NOT attempt to connect your camp stove to a natural gas supply. Use only with propane, hose and regulator supplied with the stove and an approved bulk propane tank.

 **DANGER**



FOR YOUR SAFETY

Do not store or use gasoline or other liquids with flammable vapors in the vicinity of this or any other appliance.

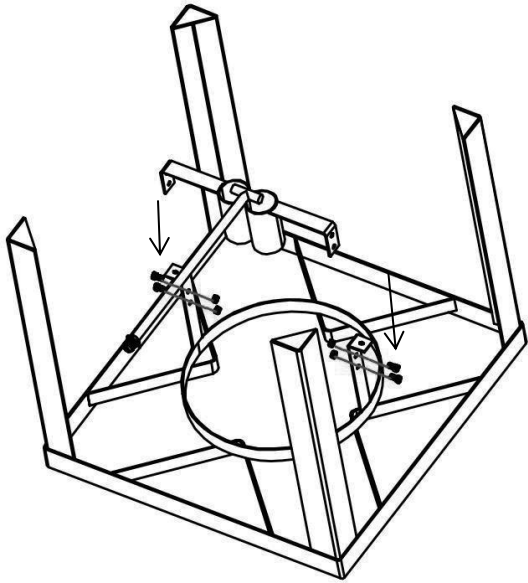
IF YOU SMELL GAS:

1. Do Not attempt to light appliance.
2. Extinguish any open flame.
3. Disconnect from fuel supply.

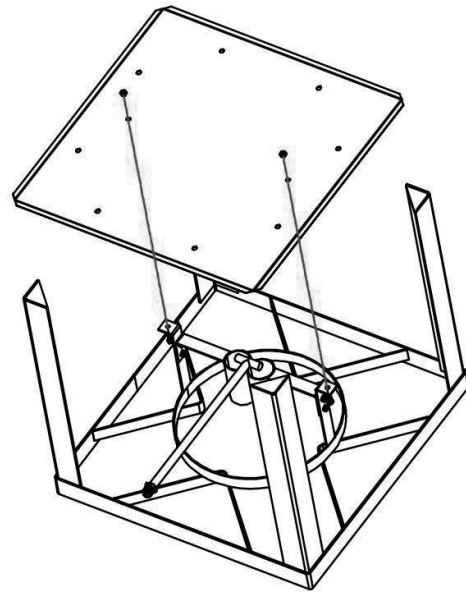
Assembly Instructions

TOOLS NEEDED FOR ASSEMBLY

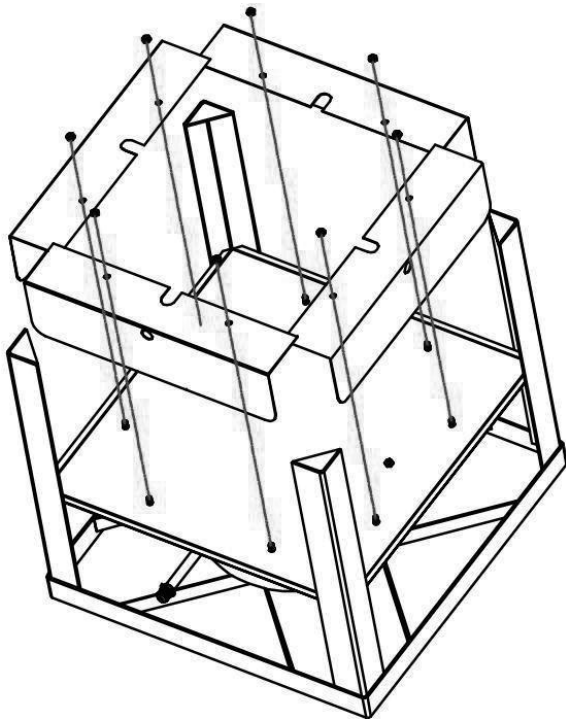
- Adjustable Wrench
- Phillips screwdriver



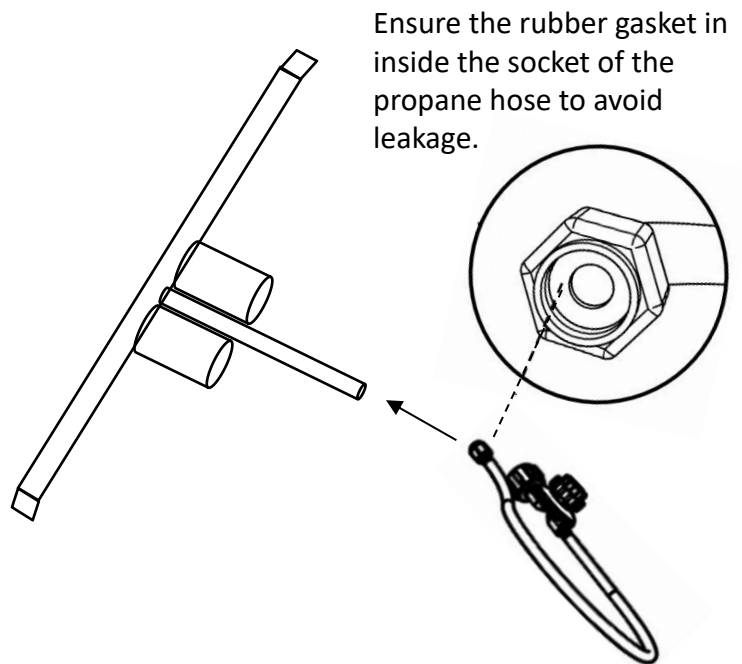
1. Assemble the jet burner to the base with bolts/nuts.



2. Assemble the large heat plate to the jet burner with bolt/nuts.



3. Assemble the (4) small heat plates to the large heat plate with bolts/nuts.



4. Connect the propane hose to the Jet burner as shown.

Instructions

PREPARATION:

1. Place stove on a level, stable surface.
2. Attach propane hose to the brass stove inlet fitting.
3. Make sure propane bulk tank valve is closed.
4. Attach propane hose to outlet of propane tank.
5. Slowly open propane tank valve and check for leaks by applying small amount of liquid soap and looking for bubbles to appear.

LIGHTING INSTRUCTIONS

1. Read instruction before lighting.
2. When you are sure there are no leaks, turn cylinder valve and regulator control valve on hose to the closed position.
3. Have a fireplace match or long-nosed lighter lit and over the burner from SIDE. Keep hands and face away from burner.
4. Slowly open gas supply until burner ignites, keeping hands and face away from burner.
5. Adjust the regulator control valve for desired flame height.
6. When finished using the cooker, turn off gas cylinder valve first. It will take a few seconds for the fire to go out and for the propane gas to bleed from the hose and regulator assembly. After the fire is completely out, turn regulator control valve to the OFF position.
7. To re-light, repeat steps 1-6. Always use CAUTION as cooker will be hot.
8. If ignition does not occur in 5 seconds, turn the burner control(s) off, wait 5 minutes, and repeat the lighting procedure.

STORAGE

1. DO NOT leave propane tank attached to stove during storage or transport.
2. Wipe the burners, steel cooking grate, and propane hose before storing.
3. It is suggested to store stove and hose in a nylon storage bag to keep it clean.

CAUTION

DO NOT attempt to connect your camp stove to a natural gas supply. Use only with propane, hose and regulator supplied with the stove and an approved bulk propane tank.

Instructions

The warranty period of the product is 365 days from the date of purchase. If the product has any problem, please feel free to reach out to us and we will work out solutions for you ASAP. And please include the order number in the email when you contact us so that we can get the order and product info and help you resolve the issue faster.

If you have any questions, please contact us at support@rovsun.com

