

CONTENT

- 1. Return & Warranty 1
- 2. Specification 2
- 3. Identify Parts 3
- 4. Assembly Steps 4
- 5. FAQs 8

SPECIFICATION

Applicable Model



OVERALL SIZE:

32.3"W x 22.4"D x 29.9"H
82cm x 57cm x 76cm

FEATURES:

Hot & Cold Faucet
Removable Draining Board
Extra Storage Shelf

LOAD-CAPACITY:

110LBS / 50KG



Estimated Time for Assembly

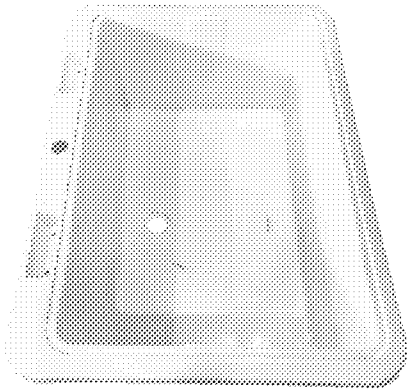
30 mins

Caution:

1. This product is designed for home use and not intended for commercial use.
2. This product contains small components. Please ensure that they are kept away from small children.
3. Be careful when using power tools to assemble your furniture. Power tools may strip or damage the parts.

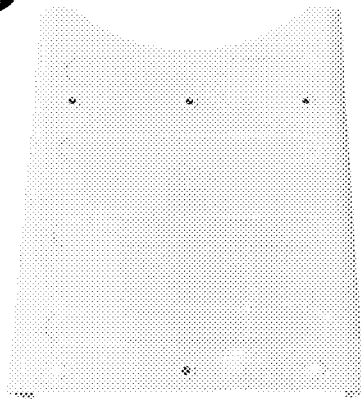
IDENTIFY PARTS

1



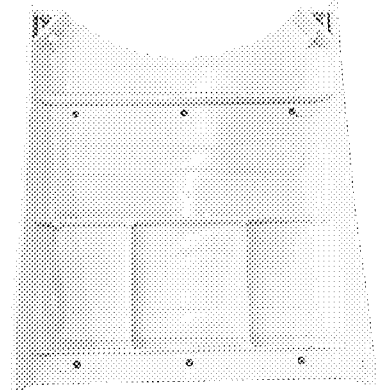
Soap Sink x1

2



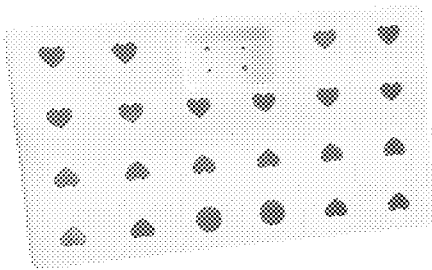
Reinforce Left Leg x1

3



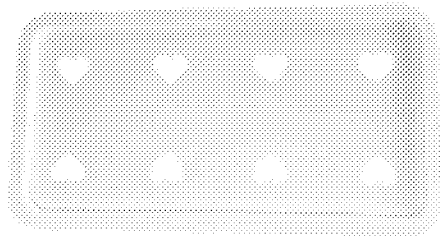
Reinforce Right Leg x1

4



Storage Shelf x1

5



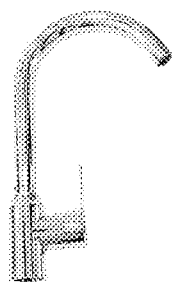
Removable Draining Board x1

6



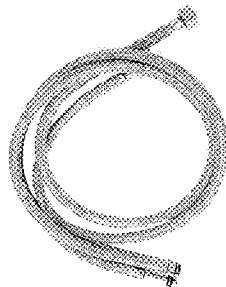
Outlet Pipe x1

7



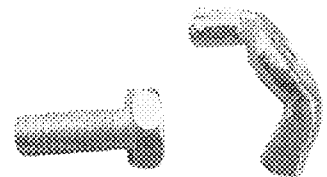
Faucet x1

8



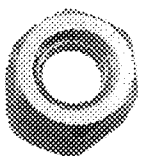
Hot & Cold Hose x1

9



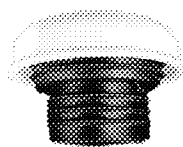
Butterfly Nut, Screw x24

10



Hex Nut x4

11



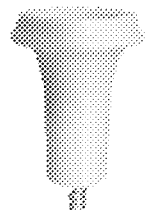
Sealing Plug x1

12



Faucet Joint x1

13

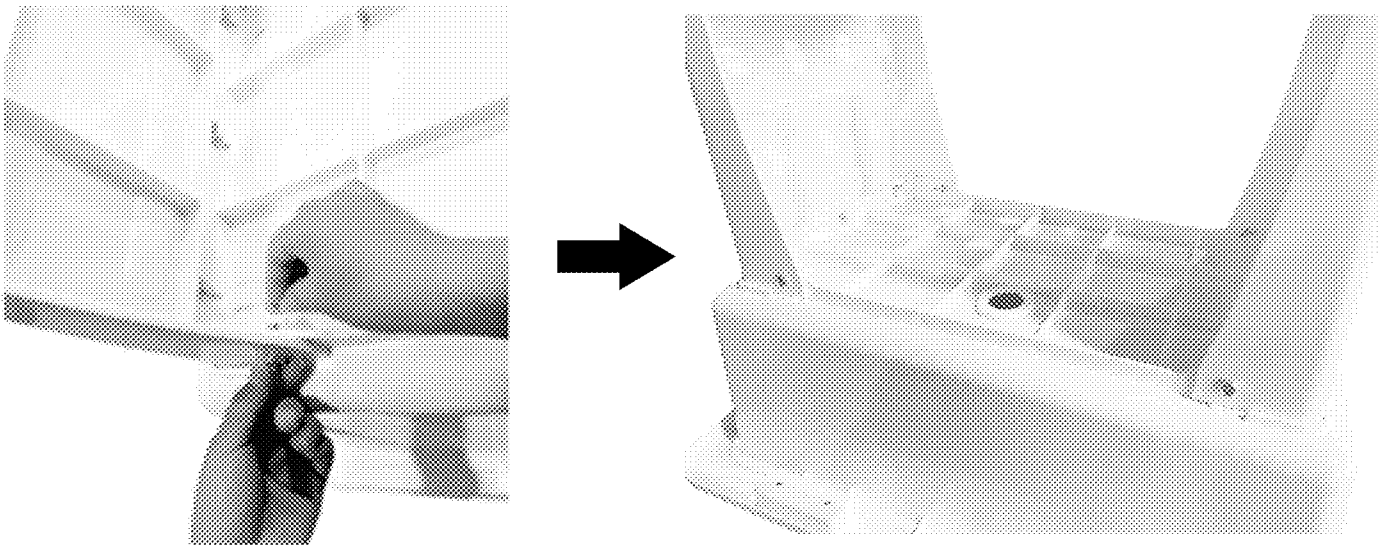


Adjustable Foot x4

ASSEMBLY STEPS

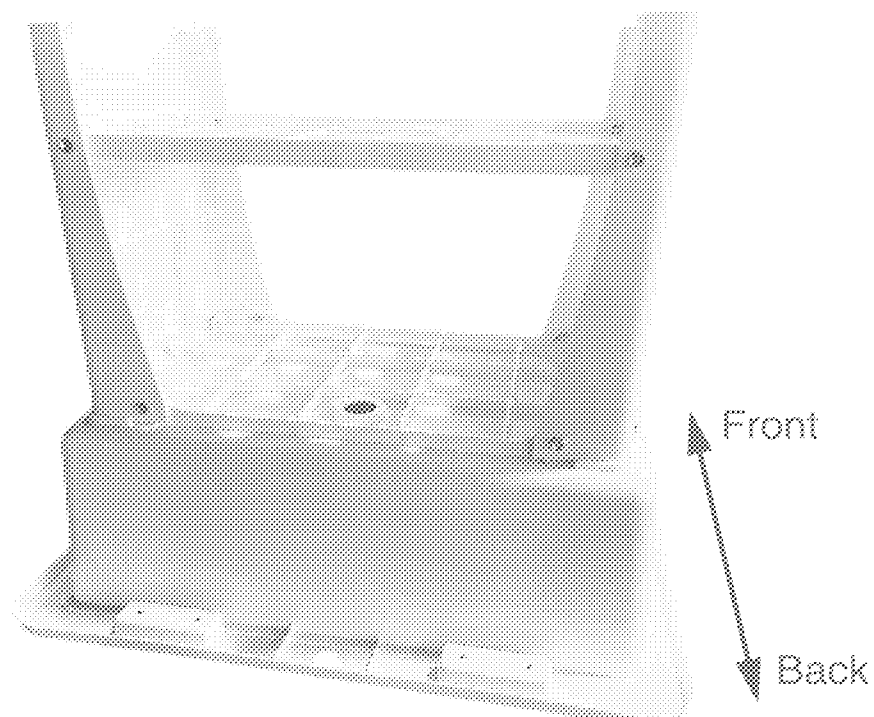
STEP 1

Put the bottom of the water tank body upward, place the two leg parts in the corresponding gap, and fix them with butterfly nuts and screws



STEP 2

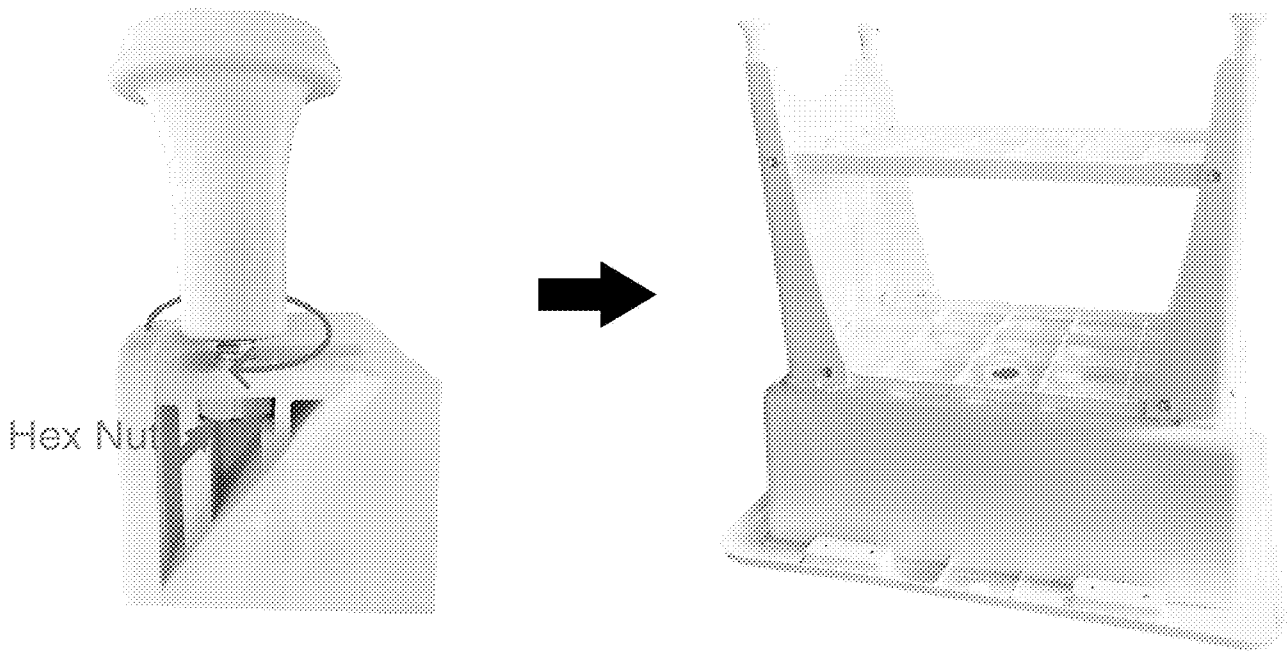
Put the storage shelf into the groove corresponding to the two legs at the same way. Note that the edge of the shelf near the circular hole is back



ASSEMBLY STEPS

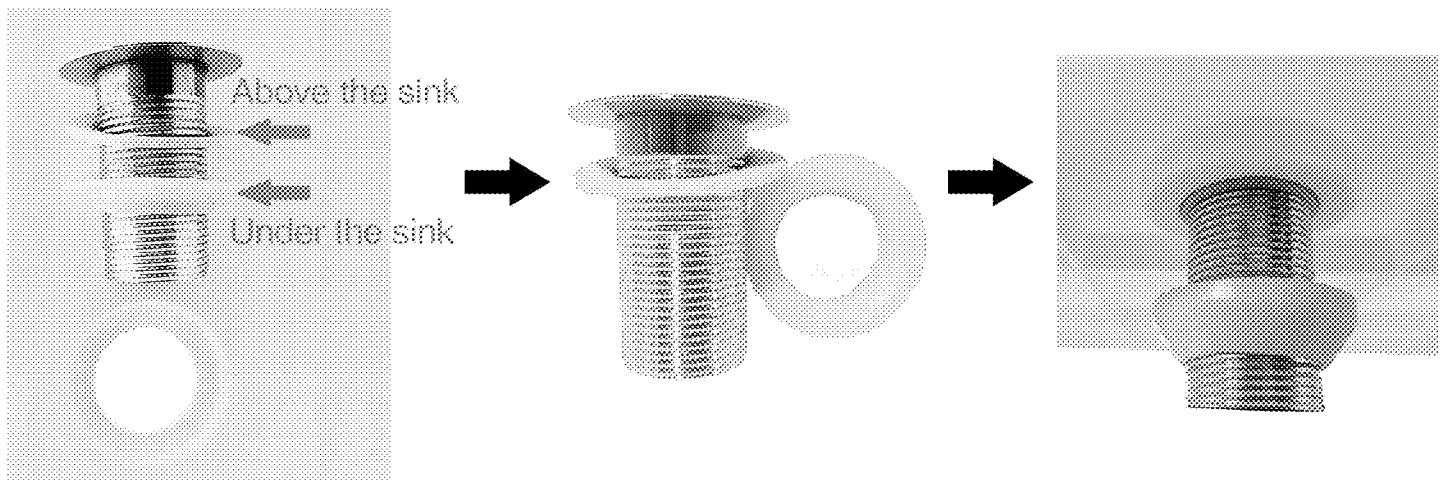
STEP 3

Insert the hex nuts into the fixing groove, and then fix the adjustable feet on the left and right legs



STEP 4

Take out the water outlet pipe as shown in the figure and put it into the corresponding recess of the sink. Fix the other part of the water outlet pipe on the back of the sink



ASSEMBLY STEPS

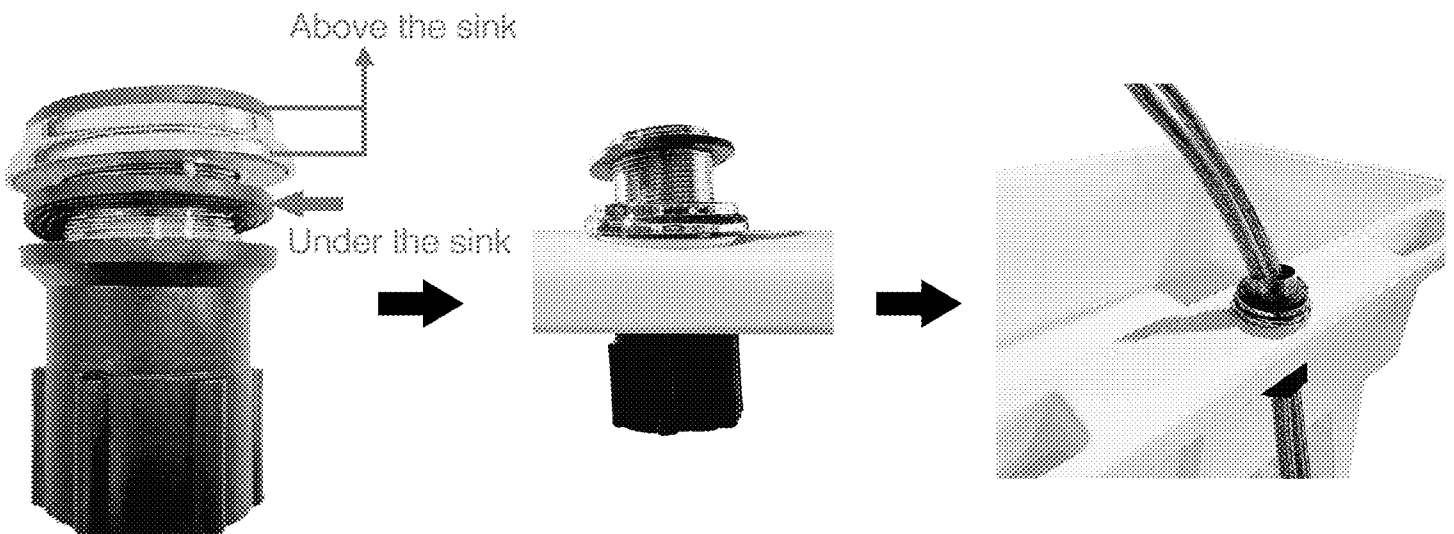
STEP 5

Insert the other end of the outlet pipe into the sealing plug, and through the round hole in the storage shelf



STEP 6

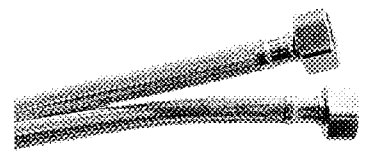
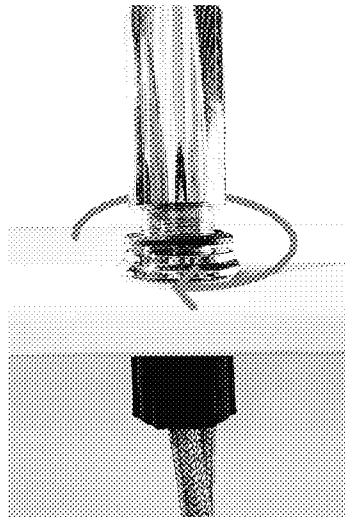
Put the faucet joint into the faucet hole in the sink firstly, and then pass the Hot & Cold Hose through the faucet joint



ASSEMBLY STEPS

STEP 7

Screw the top of the hot & cold hose into the bottom of the faucet firstly, and then screw the faucet joint into the faucet. Finally, fix the other end of the cold & hot hose to your water supply tap to complete the installation



Well done! Enjoy it!

