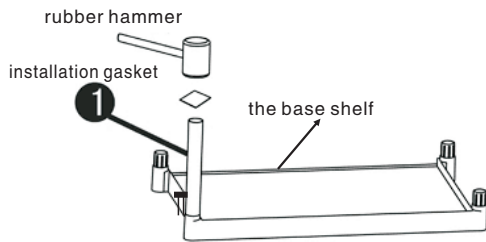
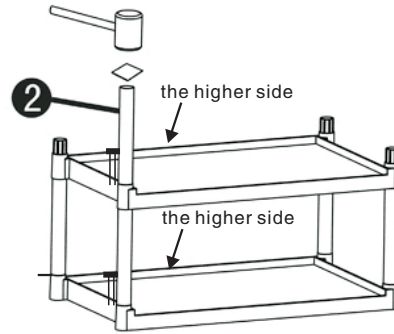


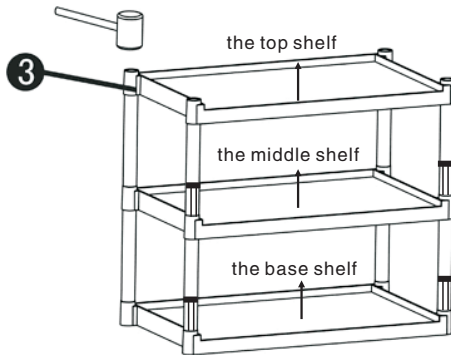
# Janitorial Utility Cart Installation Instructions



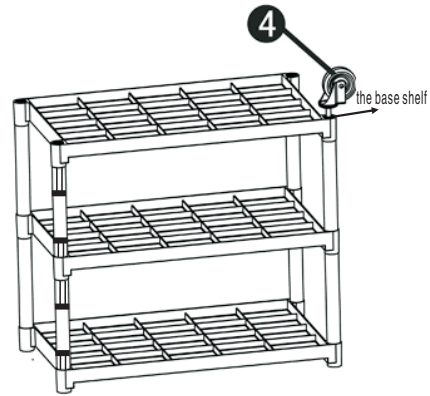
Step 1, Locate the base shelf, use rubber hammer and installation gasket to knock the aluminum tube into the slot of the four corners of the shelf, as shown in the figure 1, until the pipe calibration line is level with the slot plane.



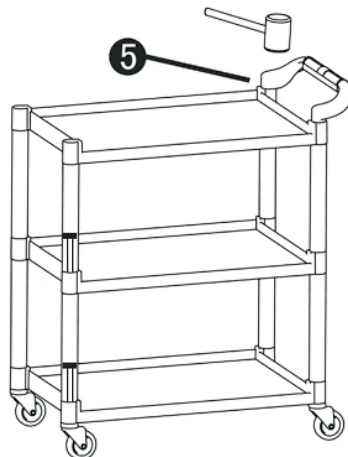
Step 2, Repeat steps 1 to complete the installation of the middle shelf.



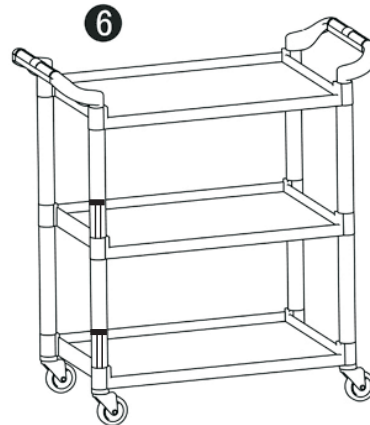
Step 3, Repeat steps 1 to complete the installation of the top shelf.



Step 4, Put the cart upside down, Insert the casters into the holes as shown in the figure 4.



Step 5, Place the cart upright, and install the handles.



Step 6, installation is complete.

**Note:**The shelves have a higher edge on one side, please ensure shelves are all going the same direction when installing.

**Thank you for purchasing our products.**