

ROVSUN

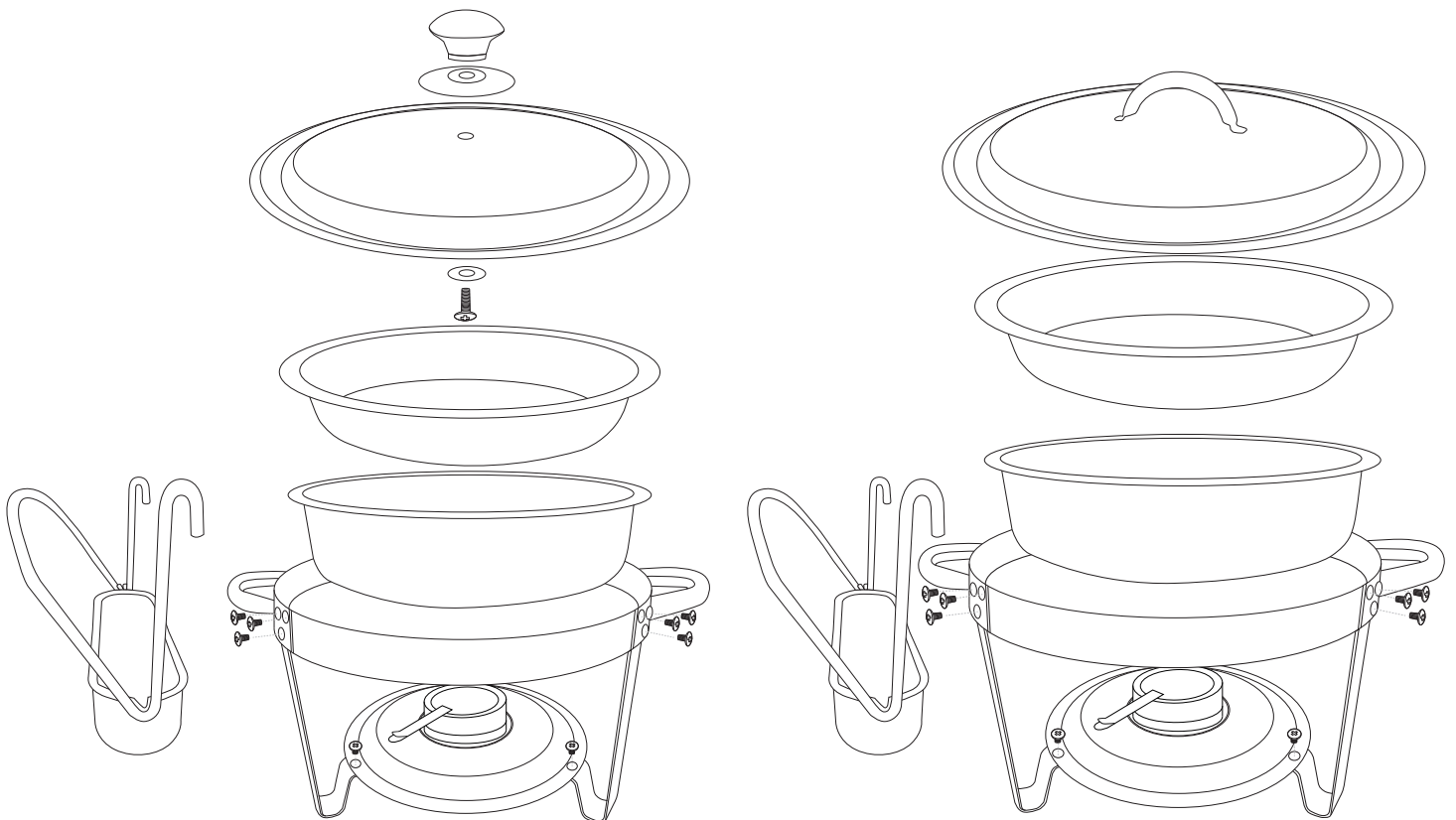
If you have any problem, please feel free to contact us.support@rovsun.com,
We will solve the problem for you after confirmation.

Round chafing dish USER MANUAL

Overview of parts

G47000285 / G47000286

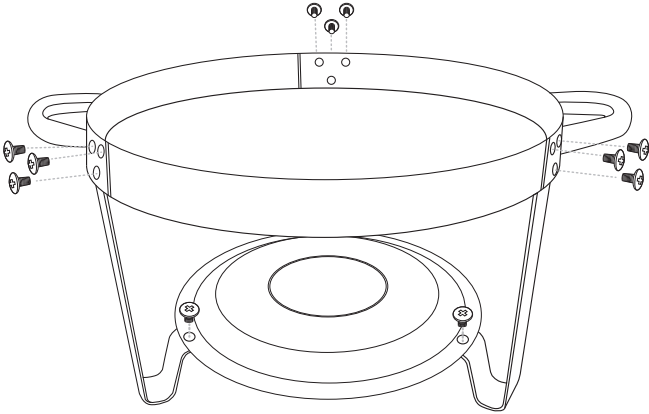
G47000291 / G27000248



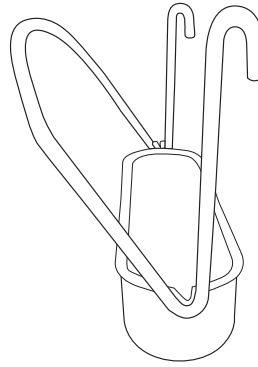
1. 1 x Lid
2. 1 x food pan
3. 1 x water pan
4. 1 x fuel burner
5. 14 x screw (2 x backup)
6. 1 x frame (3 x legs, 1 x circle, 1 x round plate)
7. 1 x lid rack with small pan

Instruction

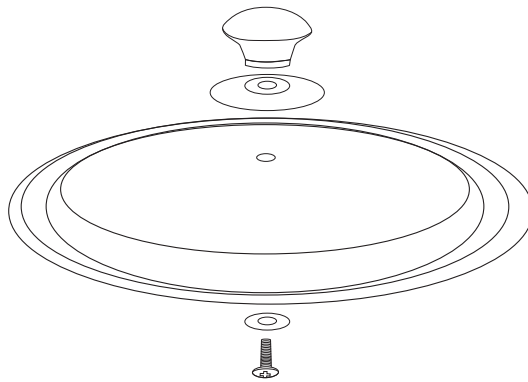
1. Install the frame



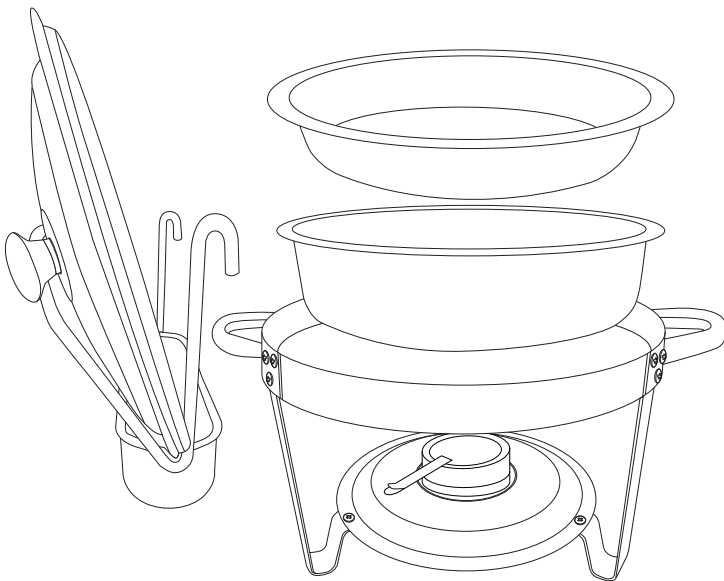
2. Put the small pan on lid rack



3. Install the handle with screw on glass cover



4. Put the lid rack, water pan, on the frame. Pour water into water pan.



5. Light chafing fuel.

6. Place food pan and add food

MADE IN CHINA