

# CONTENT

1. Return & Warrantly	1
2. Before Starting	2
3. Components	3
4. Assembly Steps	4
5. FAQs	8

# BEFORE STARTING

## Before Using Product



- Read each step carefully before starting. It is very important that each step is performed in the correct order. If these steps are not followed in sequence, assembly difficulties will occur.



- Make sure all parts are included. Most board parts are labeled or stamped on the raw edge.



- Recommended # of people needed for assembly: 1 (however it is always better to have an extra hand).  
Estimated assembly time is 40-60mins.



- Work in a spacious area and near where the unit will be used, preferably on a carpet, or use a piece of the cardboard packaging to protect your floor and product.



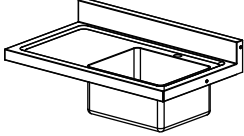
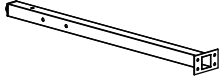

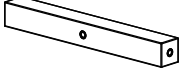
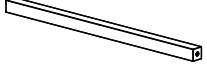
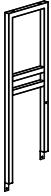
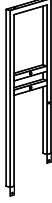
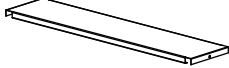
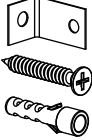
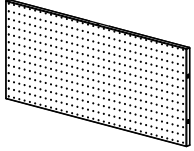
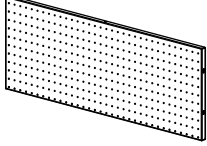

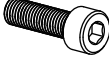
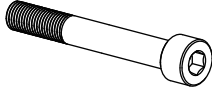
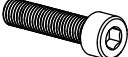
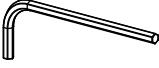
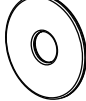
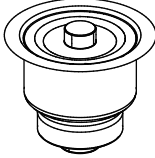
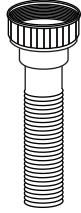
- For a smooth assembly process, we suggest you keep a lite tightness for all the screws during assembly. After the whole product is assembled, firmly tighten all the screws.



## WARNING :

- Do not allow children to climb on unit
- Serious or fatal crushing injuries can occur from furniture tip-over. To prevent this furniture from tipping over, it must be permanently fixed to the wall. Fixing devices for the wall are not included since different wall materials require different types of fixing devices. Use fixing devices suitable for the walls in your home. For advice on suitable fixing systems, contact your local specialized dealer
- Avoid sharp objects or corrosive chemicals to prevent damage to the product
- During assembly, keep parts and packaging materials away from children and pets as there could be potential injury and choking hazards

# Components

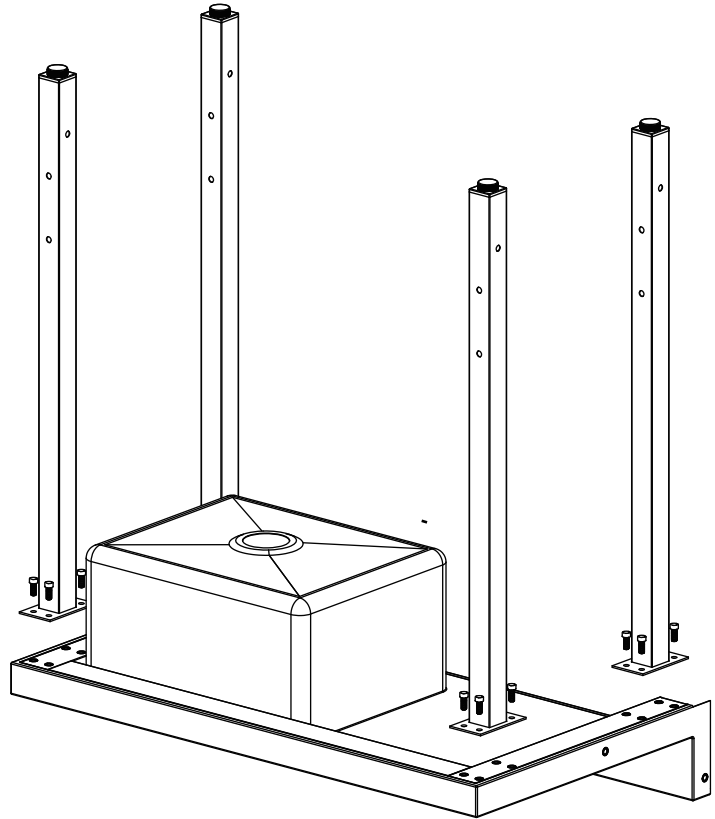
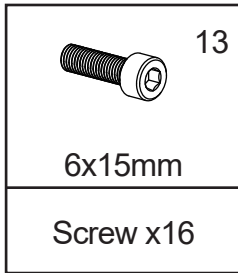
1 	2 	3 	4 	5 
Sink x1	Leg x4	Bottom Shelf x1	Short Square Tube x2	Long Square Tube x1
6 	7 	8 	9 	10 
Left Bracket x1	Right Bracket x1	Shelf x2	Wall Mounting Bracket x2	Big Perforated Board
11 	12 	13  6x15mm	14  6x60mm	15  6x35mm
Small Perforated Board	Hook x8	Screw x27	Screw x6	Screw x8
16 	17 	18 	19 	
6mm Allen key x1	Gasket x6	Drain x1	Downpipe x1	

Take your time!  
You will like it!

# ASSEMBLY STEPS

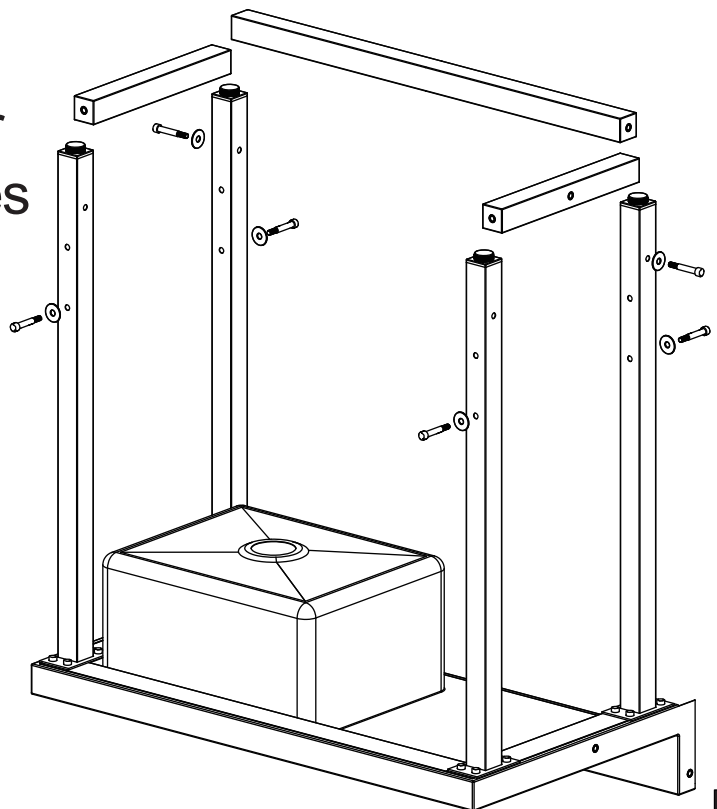
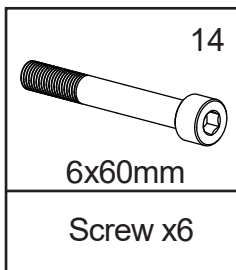
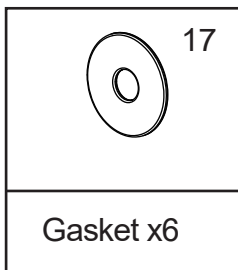
## STEP 1

Install the 4 legs.



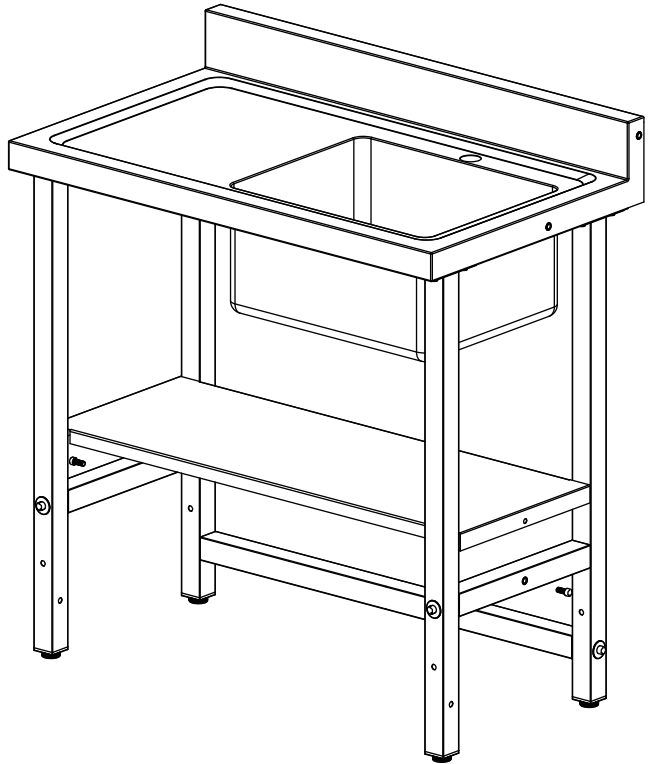
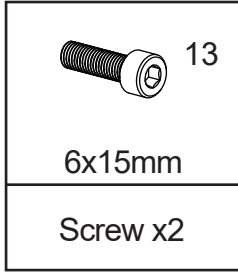
## STEP 2

Install 3 square tubes  
Tips: two height options for  
the short square tubes



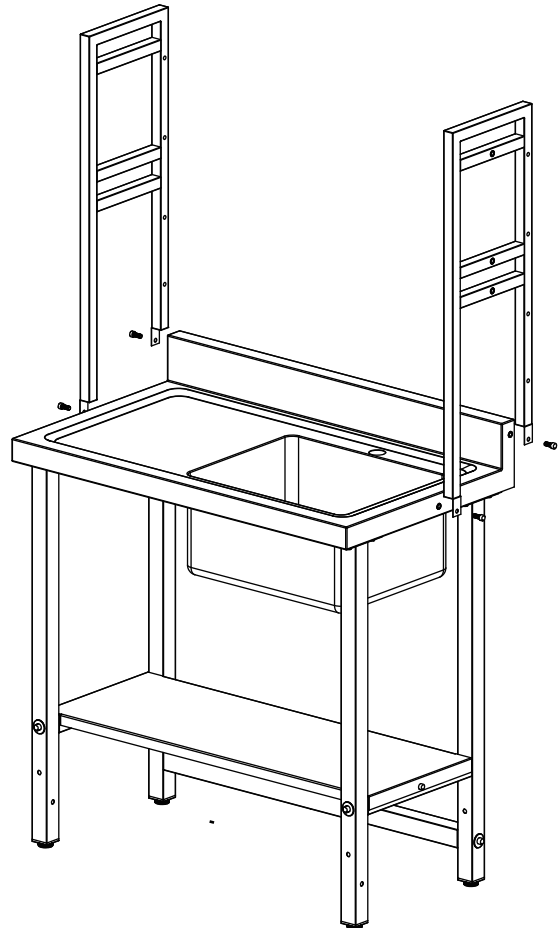
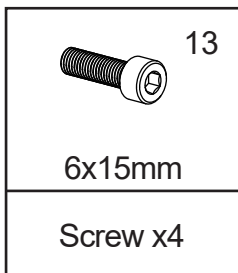
### STEP 3

Install bottom shelf.



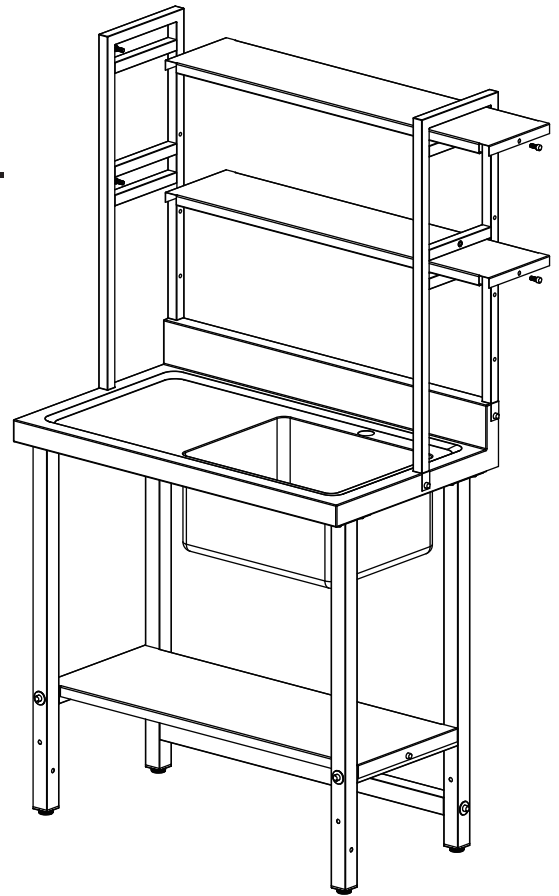
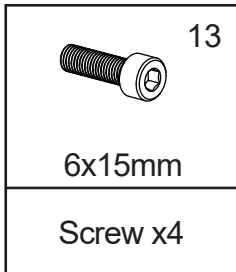
### STEP 4

Install the side brackets.



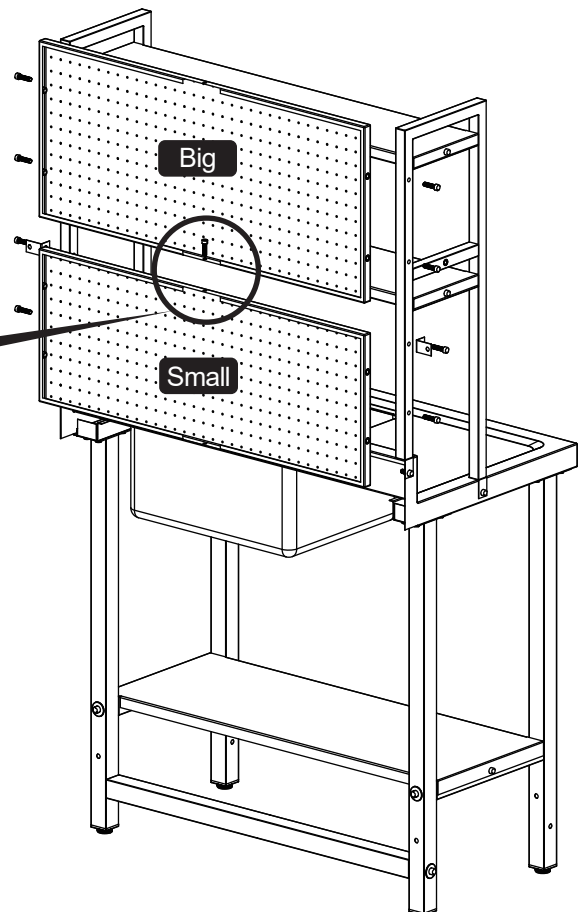
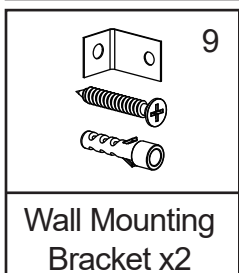
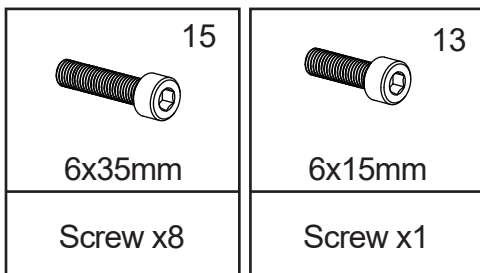
## STEP 5

Install the middle and top shelves.



## STEP 6

Install the perforated boards and the wall mounting brackets



## STEP 7

Install the drain and downpipe.

