

CONTENT

- 1. Return & Warrantly 1
- 2. Before Starting 2
- 3. Components 3
- 4. Assembly Steps 4
- 5. FAQs 8

BEFORE STARTING

Before Using Product



- Read each step carefully before starting. It is very important that each step is performed in the correct order. If these steps are not followed in sequence, assembly difficulties will occur.



- Make sure all parts are included. Most board parts are labeled or stamped on the raw edge.



- Recommended # of people needed for assembly: 1 (however it is always better to have an extra hand).
Estimated assembly time is 40-60mins.



- Work in a spacious area and near where the unit will be used, preferably on a carpet, or use a piece of the cardboard packaging to protect your floor and product.



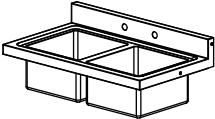
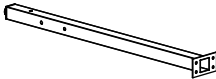
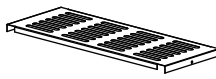
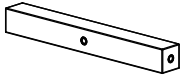
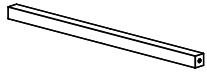
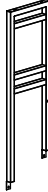


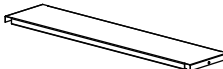
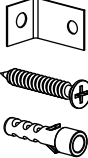
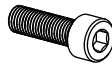
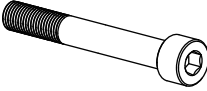
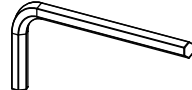

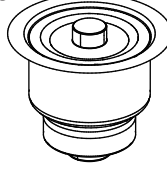
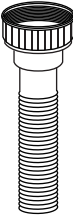

- For a smooth assembly process, we suggest you keep a lite tightness for all the screws during assembly. After the whole product is assembled, firmly tighten all the screws.



WARNING :

- Do not allow children to climb on unit
- Serious or fatal crushing injuries can occur from furniture tip-over. To prevent this furniture from tipping over, it must be permanently fixed to the wall. Fixing devices for the wall are not included since different wall materials require different types of fixing devices. Use fixing devices suitable for the walls in your home. For advice on suitable fixing systems, contact your local specialized dealer
- Avoid sharp objects or corrosive chemicals to prevent damage to the product
- During assembly, keep parts and packaging materials away from children and pets as there could be potential injury and choking hazards

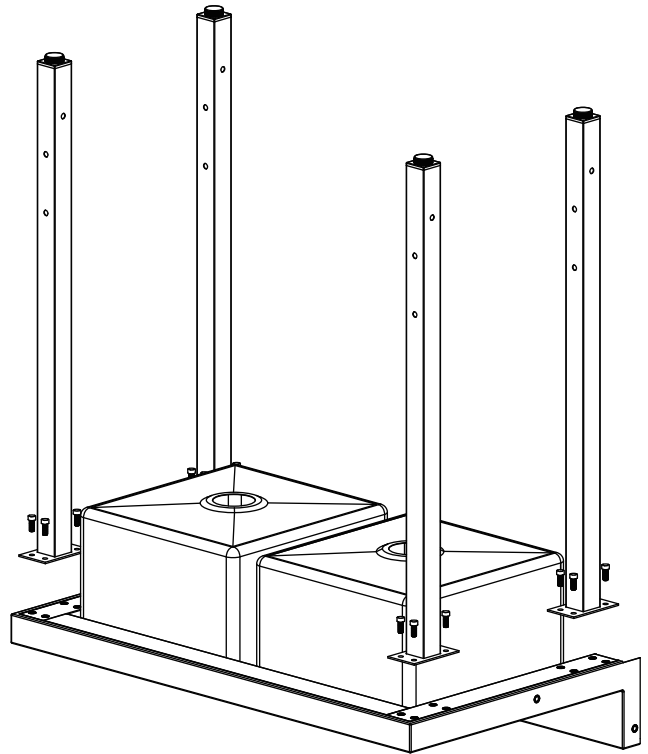
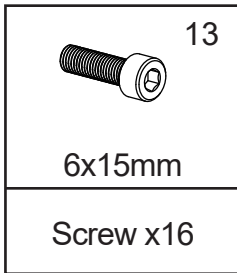
Components

1	2	3	4	5
				
Sink x1	Leg x4	Bottom Shelf x1	Short Square Tube x2	Long Square Tube x1
6	7	8	9	10
				
Left Bracket x1	Right Bracket x1	Top Shelf x1	Middle Shelf x1	Wall Mounting Bracket x2
11	12	13	14	15
				
Middle Cross Bar x1	Hook x4	6x15mm Screw x28	8x60mm Screw x6	6x35mm Screw x2
16	17	18	19	20
				
6mm Allen key x1	8mm Allen key x1	Gasket x6	Drain x2	Downpipe x2
21	<p>Take your time! You will like it!</p>			
				
Top Hook x2 Screw x2				

ASSEMBLY STEPS

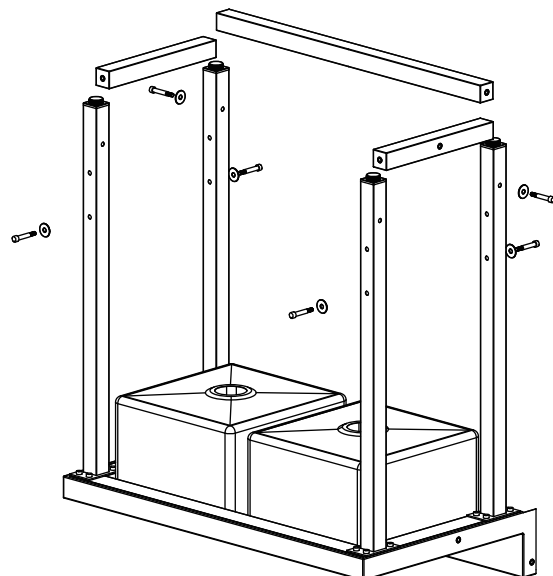
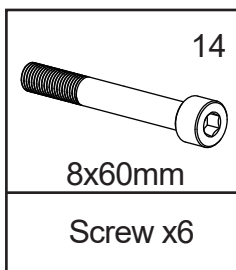
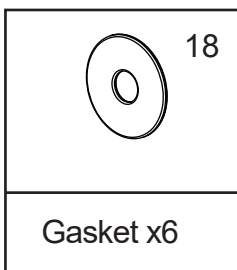
STEP 1

Install the 4 legs.



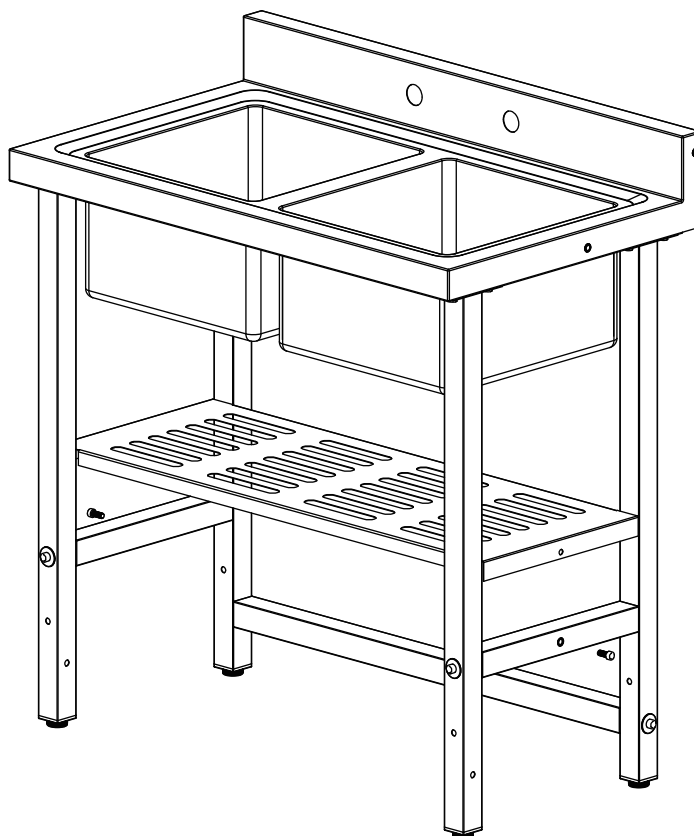
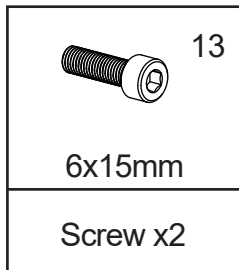
STEP 2

Install 3 square tubes
Tips: two height options for
the short square tubes



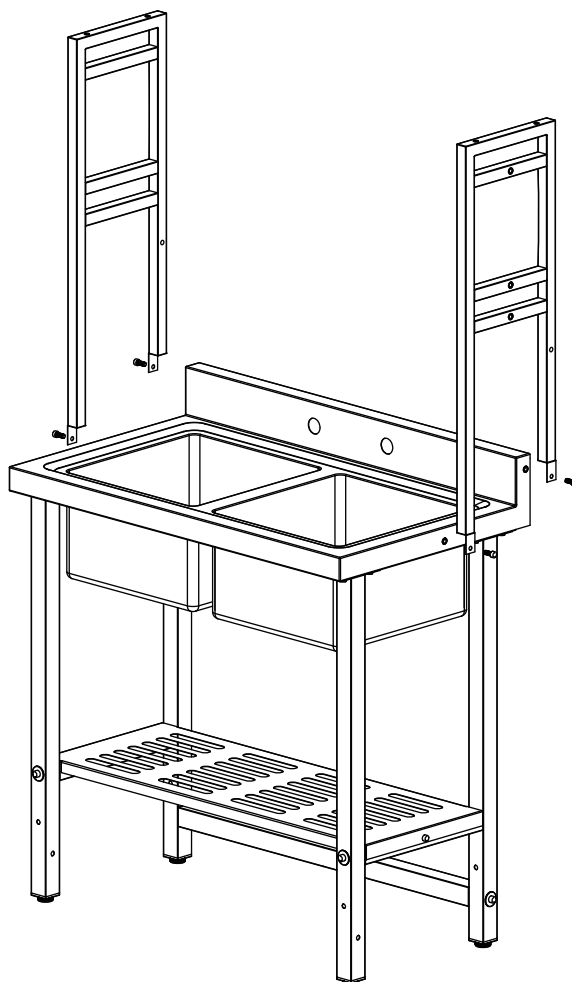
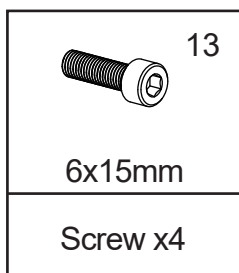
STEP 3

Install bottom shelf.



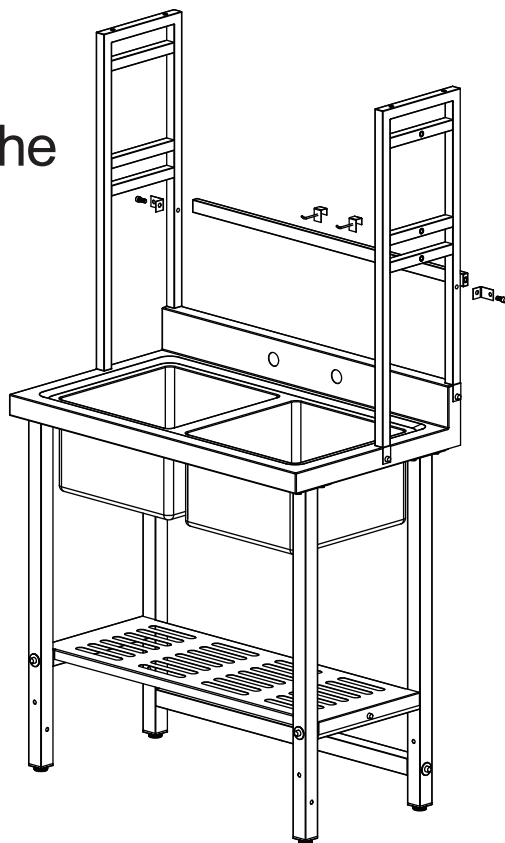
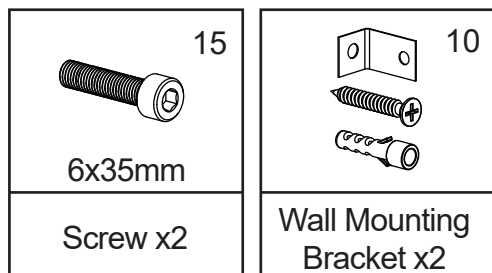
STEP 4

Install the side brackets.



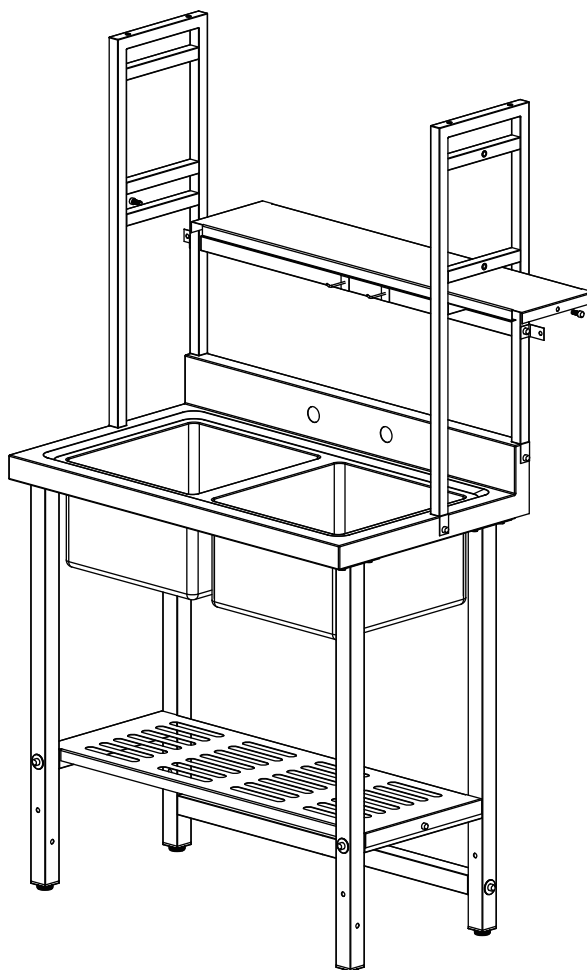
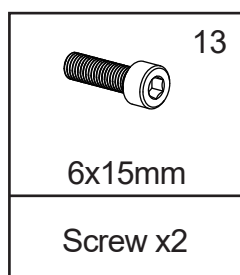
STEP 5

Install the middle cross bar and the wall mounting bracket from the same holes and place hooks.



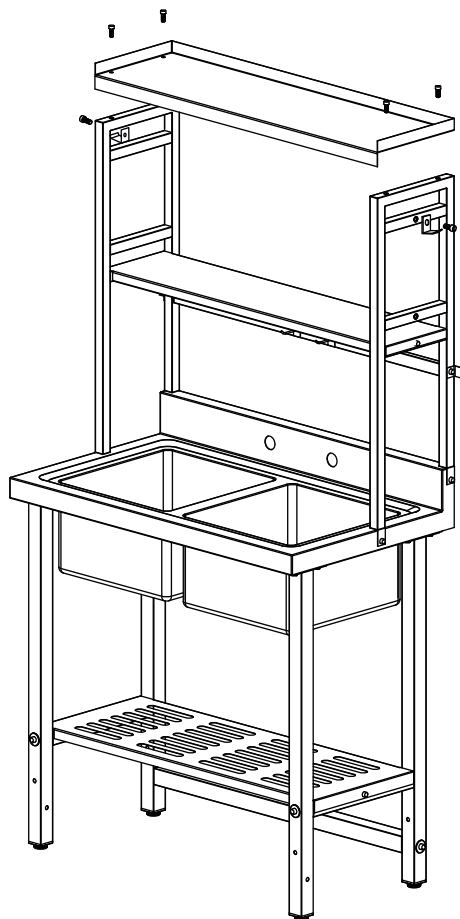
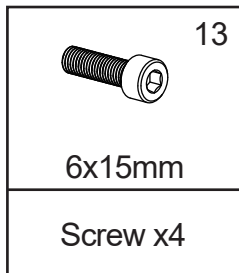
STEP 6

Install the middle shelf.

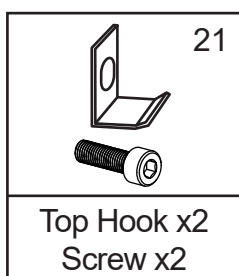


STEP 7

Install the top shelf.



Install the top hooks.



STEP 8

Install the drain and downpipe.

