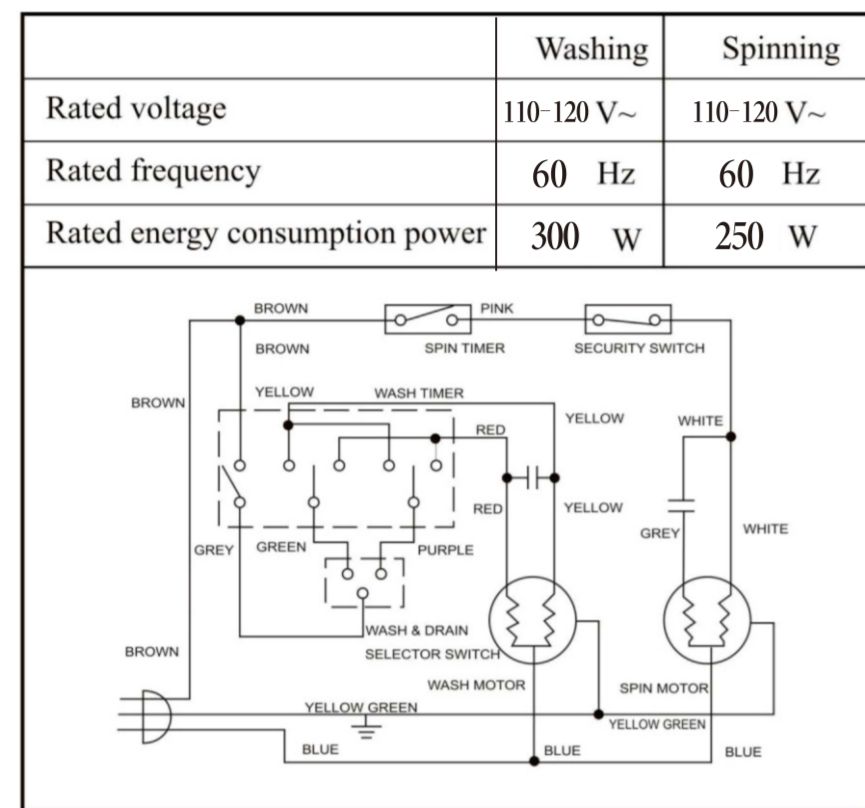


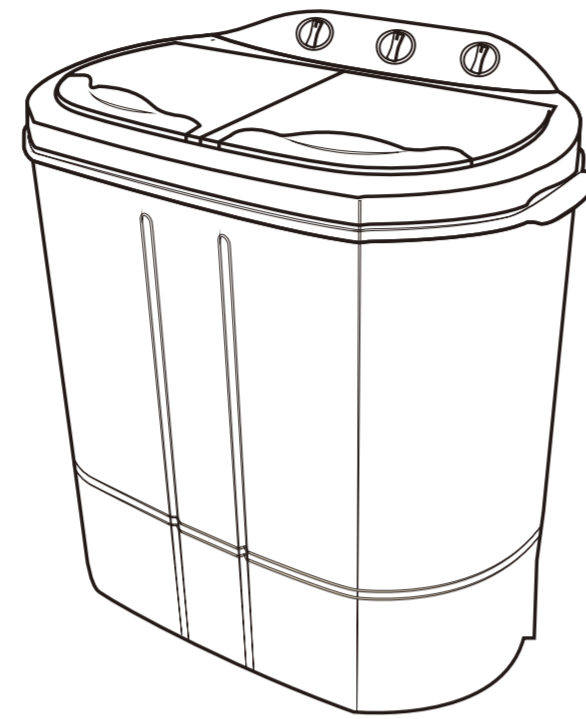
### Electrical Principle



Made in China

## ROVSUN Twin Tub Washing Machine Instruction Manual

MODEL: XPB30-RS3  
SKU: G27000202



Thanks for your purchase. Any questions please don't hesitate to contact us. We will handle all your problem ASAP. Your feedback is vital to us! And we will always try to do better. For more details, please contact us by email via support@rovsun.com. (Write your seller's Order # on the subject of the email, so that we can and your order and better assist your issue) Or call us at (1)855-882-2333.



### CONTENTS:

- Introduction
- Technology Parameter and Specifications
- Structure and Parts
- Washing Instructions
- Attention Points
- Maintenance
- Troubleshooting
- Electrical Principle

### Introduction

Thank you for purchasing this Semi Auto Washing Machine. The design of this product has adopted the special patent technology of cabinet integration. The entire body casing is made of plastic and this ensures that your semi auto washing machines will never be rust eaten. The washer is relatively lighter and space saving as compared to other general twin-tub washing machines

Through the integration of new technology, this washer with large wave pulsator and new water flow, will not only produce less twisting of the clothing but also better cleaning and washing effect. The functions of water inlet, sprinkling, spin-dry and water flow are also made available to save time, labor and water usage.

We trust that you will find your purchase of this beautifully designed and dignified-looking semi auto washing machine to your satisfaction.

### Technology parameter and specifications

Water capacity		Input power		Power source		Size l*w*h	Weight
high	low	wash	dry	voltage	hertz	560*380*620(mm)	11kg
18L	12L	300W	250W	110-120V	60HZ		

### Troubleshooting

Problem	Reason	Solution
The pulsator is too slow	Power cut or switch off	Switch on the power
	Transmission belt left off	Assemble the transmission belt
	Belt pulley has become loose	Tighten the belt
	Pulsator is blocked	Remove the block
The pulsator does not rotate	Belt is loose	Tighten the belt or renew it
	The clothes in the spin dry tub loosened	Tighten the belt and the screw
Abnormal noise and vibration	The clothes in the spin dry tub is unbalanced	Replace the clothes in the tub
	There is something jammed between the pulsator and the wash tub	Remove the jammed object(s).
Water leaks from the wash tub	Wash tub was not connected tightly to the hose	Reconnect and tighten the hose
Spin-dry basket does not rotate	The slight switch is in loose contact	Adjust the contactor of the switch
	The fixed screw of spin dry basket or shaft coupling is loose	Tighten the screw
	The shaft of spin dry basket is twined by the textile	Remove the textile
The spin tub does not drain	Brake dragline is loose	Tighten the dragline
	Something had dropped into the space between spin tub and spin dry basket	Remove the object

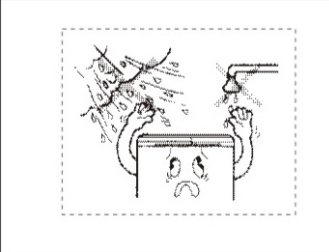
Attention: When the problem can not be resolved, please contact the Service Center.

### Maintenance

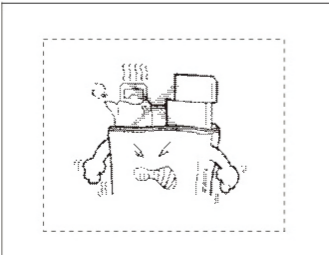
After use, pull out the plug to prevent accidents.



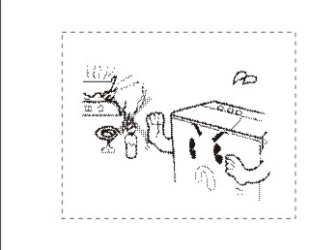
When cleaning the washing machine use a soft cloth, this will prevent scratching of the surface of the cabinet.



Do not put the washing machine outdoors or in damp areas such as the bathroom.

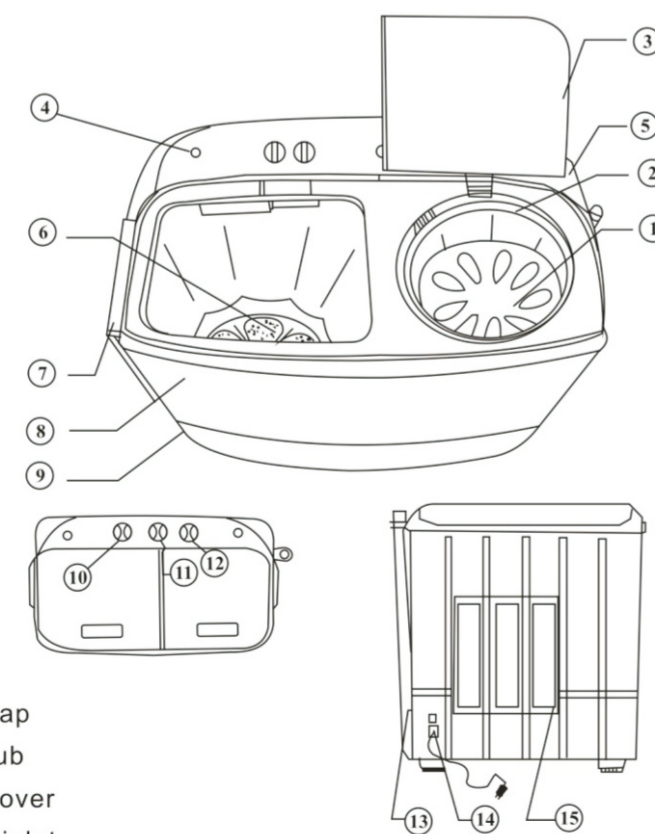


Do not put heavy objects on top of the washing machine.



Do not place the washing machine near to heat-generating items such as gas cookers.

### Structure and parts of product



- |                |                                  |                |
|----------------|----------------------------------|----------------|
| 1. spin cap    | 9. Bottom                        | 13. drain hose |
| 2. spin tub    | 10. wash timer switch            | 14. power wire |
| 3. spin cover  | 11. wash & drain selector switch | 15. back cover |
| 4. water inlet | 12. spin timer switch            |                |

### Washing Instructions

#### Preparation

- The machine should be placed on the flat ground
- The plug seat should have safety ground connection.
- Lay down the drain hose.
- Put the water inlet hose to connect the water tap.
- Adjust the water level based on the type of clothing material and its weight.
- Turn on the power.

#### Washing

- Set the Select Switch to "Soft" or "Standard" position
- Set the "wash timer" and place the clothes into the tub, adjust the water level to the proper position and put in the proper amount of detergent into the wash tub.
- Set the "wash timer" and washing machine will start to wash.
- After wash, set the Select Switch to the "Drain" position to start draining off water.

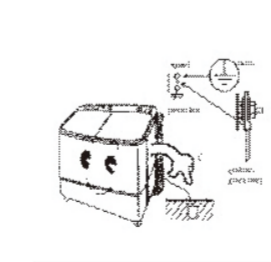
#### Spinning

- According to the "spin timer" process, spinning the clothes for 1min-5min, repeat once or twice.

#### Rinsing

- After spinning, the spin tub will stop. Open the spin cover and from the spin tub transfer the clothes to the wash tub to prepare for rinsing.
- Repeat the washing process but do not add any detergent.

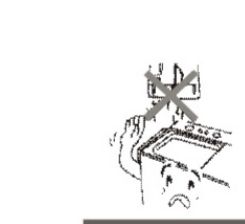
#### Attention Points



For your own safety, ensure that the ground connection is correct.



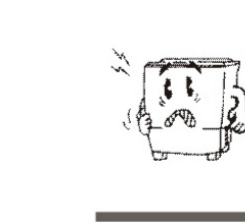
Never put your hands into the spin tub whilst it is working.



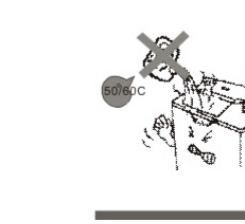
Never wash textiles which contain volatile materials to avoid machine damage or water blockage due to stains.



The timer should always be turned clock wise



When abnormal sounds/movements occur during operation, stop the washing machine as soon as possible and check. (Please refer to troubleshooting, Page7.)



When washing, the water temperature should be below 60°C, Otherwise, the plastic components may be deformed.