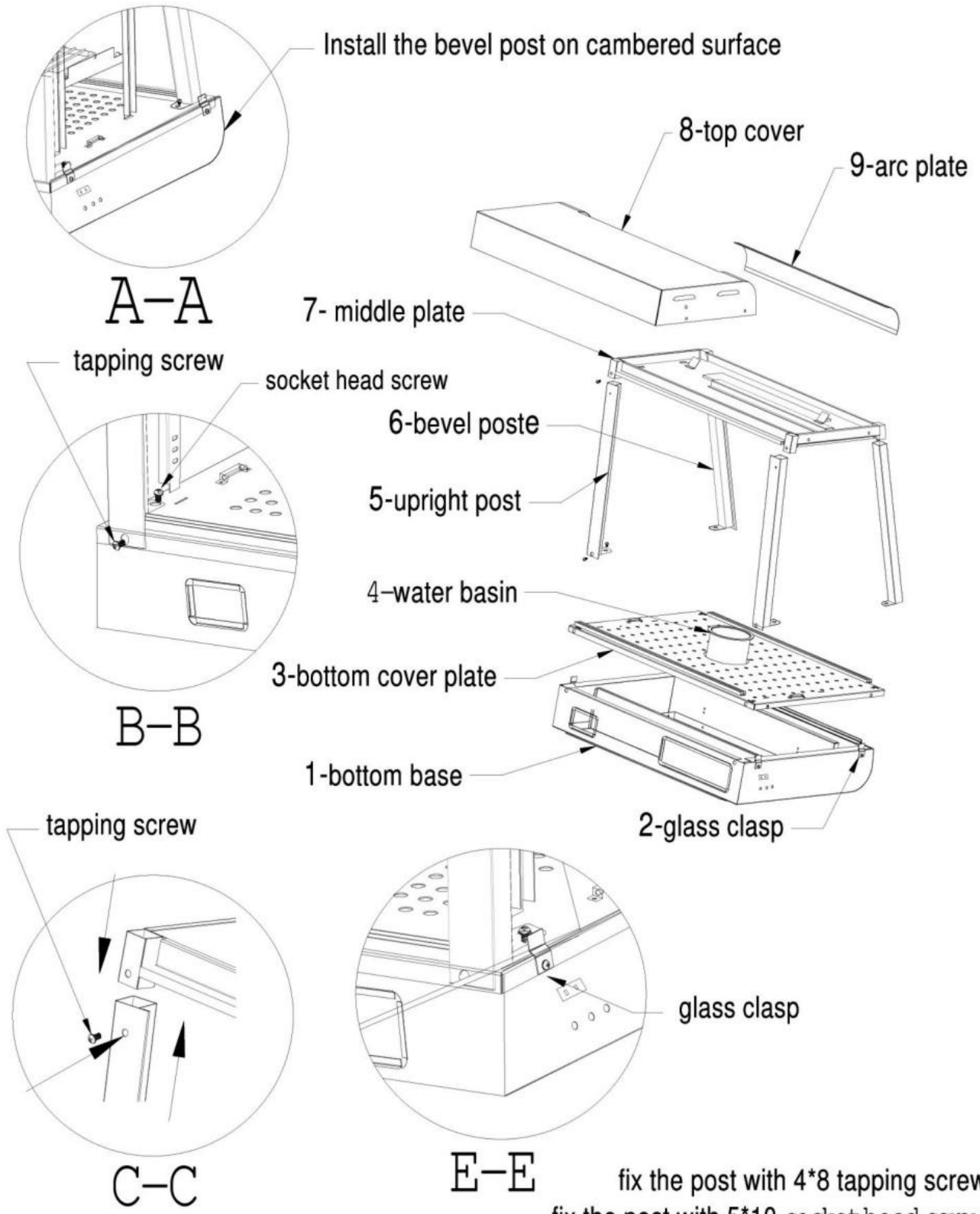
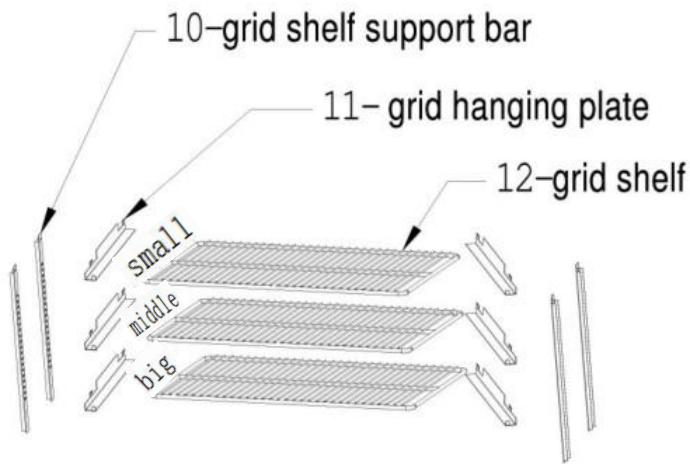


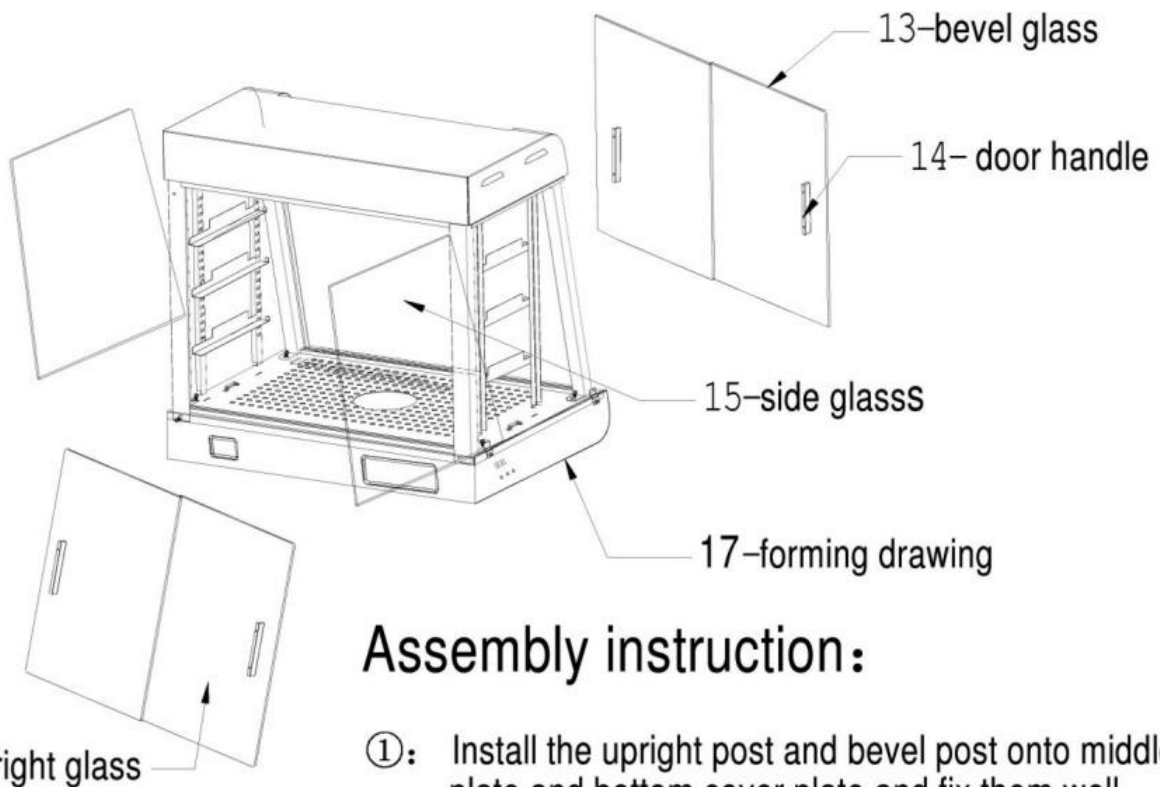
series installation schematic



fix the post with 4*8 tapping screw
 fix the post with 5*10 socket head screw
 fix the door handle with 4*10 gasket screw



D-D



Assembly instruction:

- ①: Install the upright post and bevel post onto middle plate and bottom cover plate and fix them well (See picture A-A,B-B,C-C)
- ②: Assemble the grid shelf with support bars and hanging plates(See picture D-D)
- ③: Install the side glass, twist the glass clasp, unscrew the screw, put glass inside and lock with screw tightly. (See picture E-E)
- ④: Install the door handle, then install the upright glass door and bevel glass from up to down, inside to outside. (Notice: bevel glass is taller than upright glass)