

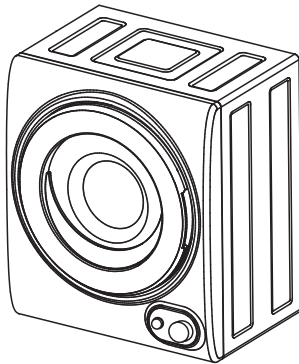
101131470008

# ROVSUN

## Clothes Dryer

### INSTRUCTION MANUAL

MODEL:G46000096



Rated Input:850W  
Made in China

借(通)用登记

输出

校对

电脑编号

底图总号

签字

日期

标记	处数	更改文件号	签字	日期
设计			工艺	
制图			批准	
审核			日期	

版本: 20220616

江门市金环电器有限公司

ROVSUN G46000096 说明书

图样	标记	重要度	比例
S		A	1:1
第 1 张		共 1 张	

技术要求

1. 材质: 105g双面铜版纸;
2. 说明书规格: 136×193mm;
3. 黑色印刷, 印刷字迹清晰明了;
4. 零件应符合RoHS2.0标准要求。

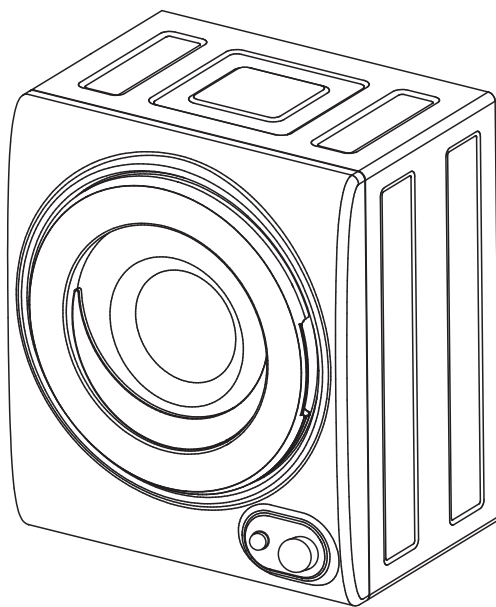
101131470008

# ROVSUN

## Clothes Dryer

### INSTRUCTION MANUAL

**MODEL:G46000096**



Rated Input:850W

Made in China

# Important Safeguards

**When using electrical appliances, in order to reduce the risk of fire, electric shock, and/or injury to persons, basic safety precautions should always be followed, including:**

## *For Your Safety*

**Read all instructions carefully, even if you are quite familiar with the appliance.**

- This appliance is not intended for use by persons (including children) with reduced physical, sensory or mental capabilities, or lack of experience and knowledge, unless they have been given supervision or instruction concerning use of the appliance by a person responsible for their safety.
- Do not allow children to play on or in the appliance. Close supervision of children is necessary when the appliance is used near children.
- **INDOOR USE ONLY** – this appliance is not intended for outdoor use.
- Do not place naked flame sources, such as candles, on the appliance.
- Do not locate the appliance or cord near heat sources such as radiators, heaters, air ducts or direct sunlight.
- Do not block any of the ventilation openings. Ensure that vents are not covered by newspapers, tablecloths, curtains, etc.
- Do not run the cord under floor coverings. Instead, arrange the cord away from traffic areas where it will not become a trip hazard.
- To disconnect the appliance, turn the appliance off, switch off the power outlet and remove the plug from the power outlet.
- Do not misuse the cord. Never carry the appliance by the cord or pull to disconnect it from the outlet. Instead, grasp the plug and pull to disconnect.
- Do not operate the appliance if it has a damaged cord or plug; after the appliance malfunctions; or has been dropped or damaged in any way. Consult the manufacturer.
- Do not attempt to repair, disassemble or modify this appliance. The warranty becomes void if not serviced or repaired by a qualified person.
- Do not reach into the appliance if the drum is moving.
- Do not place items that have been soiled with flammable liquids inside the dryer without washing them with detergent thoroughly before hand.
- Do not excessively bend, stretch, twist or bind the power cord or place heavy objects on it.
- This appliance is only to be serviced by a qualified person. There are no user-serviceable parts inside.
- Do not install in a tight fitting cabinet.
- Do not overload the tumble dryer.
- Do not dry articles that have been previously cleaned in, washed in, soaked in, or spotted with gasoline, dry-cleaning solvents, or other flammable or explosive substances, as they give off vapours that could ignite or explode.
- Before the appliance is removed from service or discarded, remove the door to the drying compartment.
- Do not install or store this appliance where it will be exposed to the weather.
- Do not tamper with controls.
- Do not repair or replace any part of the appliance or attempt any servicing unless specifically recommended in the user-maintenance instructions or in published user-repair instructions that you understand and have the skills to carry out.
- Do not use fabric softeners or products to eliminate static unless recommended by the manufacturer of the fabric softener or product.
- Do not use heat to dry articles containing foam rubber or similarly textured rubber-like materials.
- Keep area around the exhaust opening and adjacent surrounding areas free from the accumulation of lint, dust, and dirt.
- The interior of the appliance and exhaust duct should be cleaned periodically by qualified service personnel.
- Do not place items exposed to cooking oils in your dryer. Items contaminated with cooking oils may contribute to a chemical reaction that could cause a load to catch fire.
- Ensure foreign objects do not find their way into the tub of the tumble dryer.
- Clean lint screen before or after each load.



- Oil-affected items can ignite spontaneously, especially when exposed to heat sources such as in a tumble dryer. The items become warm, causing an oxidation reaction in the oil. Oxidation creates heat. If the heat cannot escape, the items can become hot enough to catch fire. Piling, stacking or storing oil-affected items can prevent heat from escaping and so create a fire hazard.

- If it is unavoidable that fabrics that contain vegetable or cooking oil or have been contaminated by hair care products be placed in a tumble dryer they should first be washed in hot water with extra detergent - this will reduce, but not eliminate, the hazard.
- Do not dry unwashed items in the tumble dryer.
- Items that have been soiled with substances such as cooking oil, acetone, alcohol, petrol, kerosene, spot removers, turpentine, waxes and wax removers should be washed in hot water with an extra amount of detergent before being dried in the tumble dryer.
- Fabric softeners, or similar products, should be used as specified by the fabric softener instructions.
- The final part of a tumble dryer cycle occurs without heat (cool down cycle) to ensure that the items are left at a temperature that ensures that the items will not be damaged.
- **WARNING:** Never stop a tumble dryer before the end of the drying cycle unless all items quickly removed and spread out so that the heat is dissipated.



**This dryer can not be used upside down**

## WARNING

### -Risk of Fire

Clothes dryer installation must be performed by a qualified installer.

Install clothes dryer according to the manufacturers instructions and local codes.

Do not install a clothes dryer with flexible plastic venting materials. If flexible metal (foil type) duct is installed, it must be of a specific type identified by the appliance manufacturer as suitable for use with clothes dryers. Flexible venting materials are known to collapse, be easily crushed, and trap lint. These conditions will obstruct clothes dryer airflow and increase the risk of fire.

To reduce the risk of severe injury or death, follow all Installation Instructions.

Connect To Individual Branch Circuit.

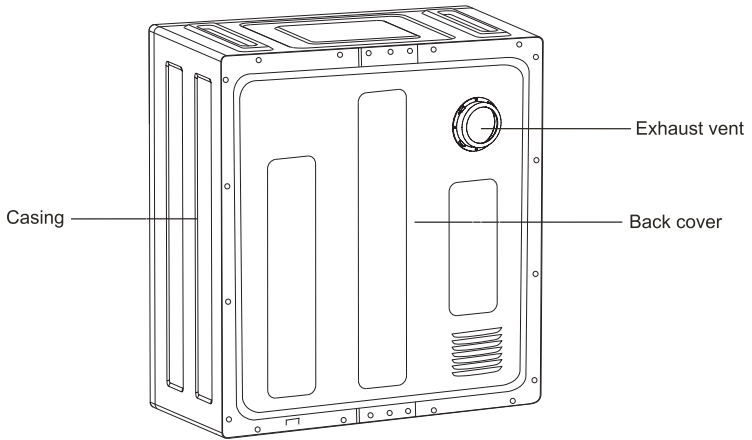
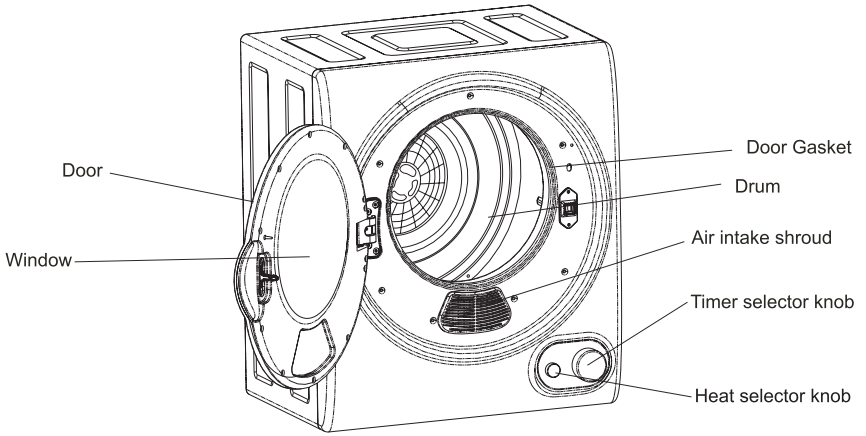
This appliance must be grounded. In the event of malfunction or breakdown, grounding will reduce the risk of electric shock by providing a path of least resistance for electric current. This appliance is equipped with a cord having an equipment-grounding conductor and grounded in accordance with all local codes and ordinances.

## WARNING

- Improper connection of the equipment-grounding conductor can result in a risk of electric shock. Check with a qualified electrician or service representative or personnel if you are in doubt as to whether the appliance is properly grounded. Do not modify the plug provided with the appliance: if it will not fit the outlet, have a proper outlet installed by a qualified electrician.

It must be placed on firm horizontal ground. Do not place the dryer on carpet as this will block the intake. There should be at least 10cm between the dryer and the walls.

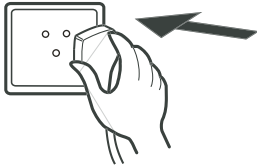
# Name of Components



# Operating your dryer

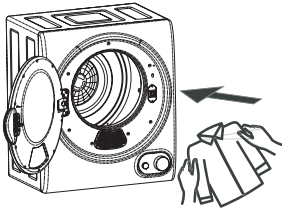
## Electrical Requirements

The unit is required to be plugged into a three pin socket that is reliably grounded. The power supply must be 120 V. Plug the power cord into the socket.



## Loading the dryer

It is recommended that items are placed into the dryer one at a time. This ensures they are not tangled which results in uneven drying. When closing the dryer door prior to starting the unit ensure that items are not jammed in the door.



## Tips before drying

Prior to loading the dryer check that the items do not have the following the symbols anywhere on them. If they do, do not tumble dry these items.



Dry flat



Dry in the shade



Do not tumble dry

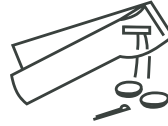


Hang to dry



Drip dry

- Check the items to be dried do not have combustible materials or foreign objects within them ie: lighters, hair pins, coins.



- Turn items with zippers inside out and fasten buckles.



- Dryer heat may permanently set stains, ensure you check prior to drying that stains are removed.
- Separate dark and light colored items as you would do when washing.
- For best results load the dryer with similar fabrics. Place small delicate items in a mesh bag and do not overload the dryer.
- The maximum mass is 5.5 lbs of dry textile material for the dryer and do not overload. The tumble dryer is intended only for drying textile material washed in water.

## Drying time reference table

Drying Capacity	Dry time	
	High	Low
Approx. 1.1lbs	Approx. 60min	Approx. 100min
Approx. 3.3lbs	Approx. 120min	Approx. 150min
Approx. 5.5lbs	Approx. 200min	-

Drying times can be affected by many factors, such as material, bulkiness, how full the dryer is etc. The above list is a guide only.

# Control Panel Functions

## Heat Selector button

Select ' High ' for items that are particularly bulky or large quantities.

Select ' Low ' for delicate items such as Silk, nylon, linen etc.



 Low  
 High

Heat Selector Knob

## Drying Program Selector

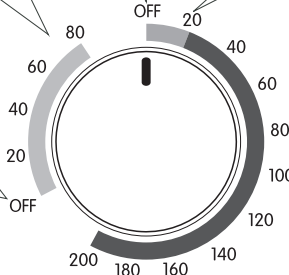
There are five drying combinations available: Cool, Anti-wrinkle, Warm, Hot and Air dry.

**Air Dry:** This function runs with cool air, primarily to air items that require freshening i.e.: clothes that have been stored for a long period of time.

**Off:** When the 'Drying Timer' dial is in the 'Off' position no power is supplied to the unit. As soon as the dial is turned clockwise to the desired program the dryer will start.

**Cool:** This function is generally used to cool the items that have just been dried. This helps to prevent creasing. Instead of the motor pushing heat into the drum of the dryer it will generate cool air.

**Off:** When the 'Drying Timer' dial is in the 'Off' position no power is supplied to the unit. As soon as the dial is turned clockwise to the desired program the dryer will start.



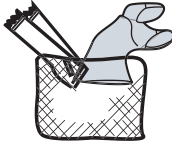
**Warm:**  
**Anti-wrinkle function:** This is used for items that are difficult to iron i.e.: cotton shirts and linen. Using the heat selector knob choose 'Soft'. Set the drying timer knob between 30 – 60 minutes depending on the amount of items in the dryer. Once the timer stops (including the Cool program) the items will still contain moisture, making the ironing process easier.

**Warm drying function:**  
This function will dry and cool items and in most cases leave items wrinkle free (depending on material). Select the 'Strong' heat option. Set the timer between 60-120 minutes.

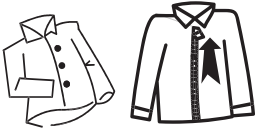
**Hot:** For drying large quantities or bulky items (Dryer drum is more than 1/2 full). Select the 'Strong' heat option and set the timer for more than 120 minutes.

# Operation Precautions

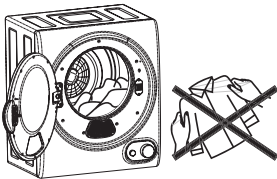
Delicate items should be placed into a nylon net bag prior to drying. It is not recommended to dry under wire bras in this unit.



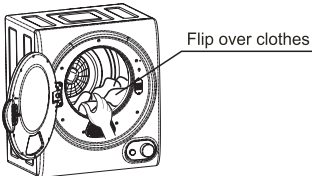
Ensure that foreign objects do not find their way into the dryer. All pockets should be emptied, buttons, buckles and zips fastened. This will also help reduce impact noise when the items hit against the turning drum.



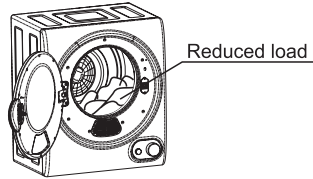
Do not add items into the dryer whilst it is in operation.



If drying large items such as a blanket, it is recommended that from time to time you open the dryer door, shake the item, place the item back in the dryer and close the door. This will ensure even drying.



To ensure you get the most out of the Anti-wrinkle function do not overload the dryer and remove the dried items from the dryer immediately and hang on coat hangers. Iron the items if desired.



To minimize the risk of fire in a tumble dryer, the following should be observed:

- Items that have been spotted or soaked with vegetable or cooking oil constitute a fire hazard and should not be placed in a tumble dryer.

Oil-affected items can ignite spontaneously, especially when exposed to heat sources such as in a tumble dryer. The items become warm, causing an oxidation reaction in the oil. Oxidation creates heat. If the heat cannot escape, the items can become hot enough to catch fire. Piling, stacking or storing oil-affected items can prevent heat from escaping and so create a fire hazard.



If it is unavoidable that fabrics that contain vegetable or cooking oil or have been contaminated by hair care products be placed in a tumble dryer they should first be washed in hot water with extra detergent this will reduce, but not eliminate, the hazard.

The 'cool down' cycle of tumble dryers should be used to reduce the temperature of the items. They should not be removed from the tumble dryer or piled or slacked while hot.

Items that have been previously cleaned in, washed in, soaked in or spotted with petrol/gasoline, dry-cleaning solvents or other flammable or explosive substances should not be placed in a tumble dryer.

Highly flammable substances commonly used in domestic environments include acetone, denatured alcohol, petrol/gasoline, kerosene, spot removers(some brands), turpentine, waxes and wax removers.

- Items containing foam rubber (also known as latex foam) or similarly textured rubber, like materials should not be dried in a tumble dryer on a heat setting.

Foam rubber materials can, when heated, produce fire by spontaneous combustion.

- Fabric softeners or similar products should not be used in a tumble dryer to eliminate the effects of static electricity unless this practice is specifically recommended by the manufacturer of the fabric softener or product.
- Undergarments that contain metal reinforcements should not be placed in a tumble dryer.

Damage to the tumble dryer can result if metal reinforcements come loose during drying. When available a drying rack could be used for such items.

- Plastic articles such as shower caps or babies' waterproof napkin covers should not be placed in a tumble dryer.
- Rubber-backed articles, clothes fitted with foam rubber pads, pillows, galoshes and rubber-coated tennis shoes should not be placed in a tumble dryer.

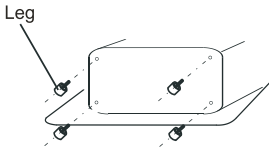
# Installation Instructions

## This dryer can not be used upside down Where to place your dryer

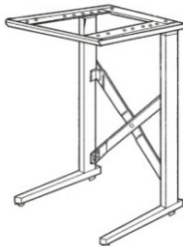
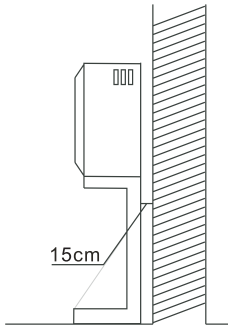
Place the dryer in a dry well ventilated area. It should be positioned away from heat and direct sunlight.

If the dryer is not wall mounted, it must be placed on firm horizontal ground. Do not place the dryer on carpet as this will block the intake. There should be at least 15cm between the dryer and the walls.

The dryer comes with fixed legs that need to be assembled to ensure stability.



If the dryer is rack mounted. A secure bracket is required to ensure stability and prevent vibration. At least 15cm between the dryer and walls is required (The bracket is not included).



Bracket

# Wall Mounting Instructions

- Determine dryer position on wall and mark required bracket position. This dryer is not suitable to be directly placed on top of a washing machine.

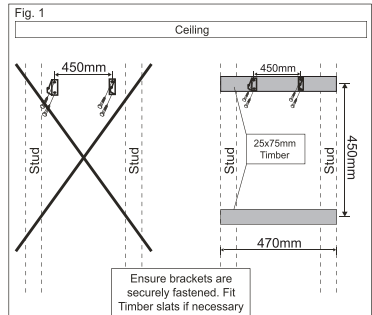
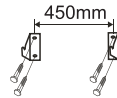
\* A minimum 50mm is needed between the top of the dryer and the ceiling for ease of installation.

\* If mounting above a washing machine, allow sufficient room to open the lid of the washer.

Tools Required		
Tools & parts required for plaster/ wooden wall	Drill & 3mm Bit	1
	Philips Head screw Driver	1
	Wood Screws, $\Phi 12 \times 50$ mm Timber screws	4
	Helper to lift dryer onto wall	1

Wall Mounting Kit Includes			
Description	Hanging brackets		2
	Plastic spacers		2
	Exhaust connector		1
	Exhaust pipe		1
	12mm Long Screws		4
	25mm Long Screws		4

- Fix the wall hanging brackets (2 supplied) to the wall securely (eg. into the stud.) Fit a timber slat between the studs to mount the brackets onto if the stud position is too wide.



3. To install the hanging hook to timber , start at Fig 2.
4. Align hanging hooks and fasten screws tightly.
5. Please adjust the exhaust connector direction, then, match the exhaust connector onto the connector. Please refer to Fig 3.
6. Turn the exhaust connector clockwise, until it insert into the connector's groove.
7. Using 4 × 12mm screws (provided) to fix the 2 spacers as per Fig4.
8. With assistance, mount dryer on wall bracket. See Fig. 5.

Fig. 2

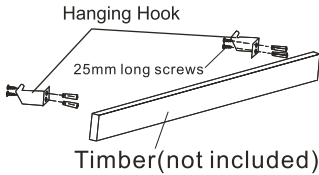


Fig. 5

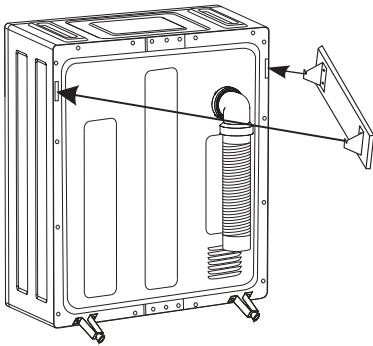


Fig 3

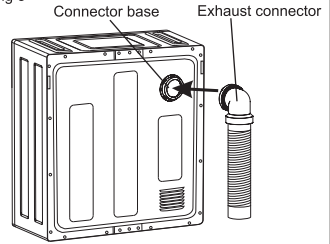
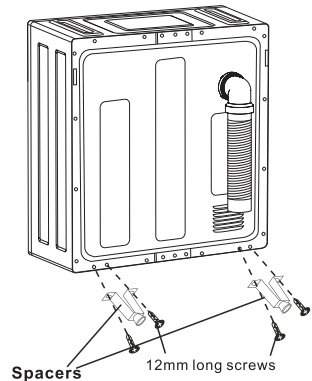


Fig. 4



The appliance shall not be exhausted into a chimney, a wall, a ceiling, an attic, a crawl space, or a concealed space of a building.

Only rigid or flexible metal duct shall be used for exhausting.

In Canada, that only those foil-type flexible ducts, if any, specifically identified for use with the appliance by the manufacturer shall be used. In the United States, that only those foil-type flexible ducts, if any, specifically identified for use with the appliance by the manufacturer and that comply with the outline for Clothes Dryer Transition Duct, Subject 2158A, shall be used.

In Canada, that the exhaust duct shall be 102 mm in diameter. In the United States, the required exhaust duct diameter.

That the total length of flexible metal duct shall not exceed 2.4 m.

That the duct shall not assembled with screws or other fastening means that extend into the duct and catch lint.

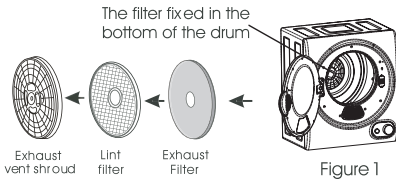
# Maintenance

## Cleaning the Lint Filter

Please unplug the power cord prior to any cleaning. The lint filter must be in place whenever drying. It must be cleaned before each use.

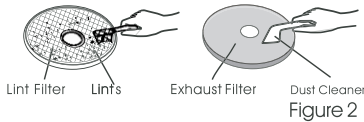
### 1. Removing the filters

Remove by pulling outwards with fingers, inserted into the four holes around the exhaust vent shroud. The filter is in 3 parts: Exhaust vent shroud, lint filter and exhaust filter (as shown in figure 1)



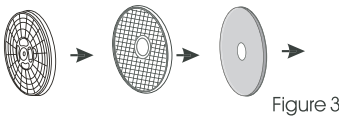
### 2. Cleaning the filter

Separate "exhaust vent shroud", "lint filter" and "exhaust filter". Clean the lint on the lint filter and exhaust filter with a soft brush or vacuum cleaner. Do not damage the filters (as shown in figure 2)



### 3. Re-installing the filter

After cleaning, assemble in the sequence of "exhaust filter - lint filter- exhaust vent shroud", align the recesses in the center with the projection in the center of the drum. Make sure that it is firmly inserted (as shown in figure 3).

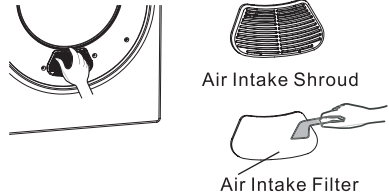


Note: The filter fixed in the bottom of the drum should also be cleaned with a soft brush.

## Cleaning of the Air Intake Filter

The filter should be cleaned once a month.

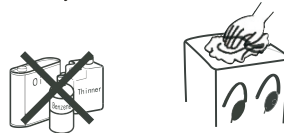
Remove by pulling outwards holding the upper and lower ends of the air intake shroud. Remove the filter inside the shroud and clean it with a soft brush. Reassemble and install as before.



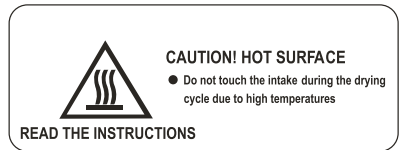
Slightly push upwards with your thumb until the latch hook disconnects, then remove.

## Cleaning the interior & exterior of the Dryer

Do not wash directly with water. Do not use thinner, gasoline or alcohol. Do not use any type of spray cleaner when cleaning the interior. If dryer drum becomes stained, clean the drum with a damp cloth. Remove any residue before drying the next load. Clean cabinet with mild soap and water. Do not use harsh or abrasive cleaners, this could damage the dryer.



**WARNING: Regularly clean the lint trap**



# Troubleshooting

Review the following pages before calling for service.

Problem	Possible Cause	What to do
Timer knob does not turn	<ul style="list-style-type: none"> <li>• Is the power cord inserted firmly?</li> </ul>	<ul style="list-style-type: none"> <li>• Insert the power cord firmly</li> </ul>
Drum does not turn	<ul style="list-style-type: none"> <li>• Is the door closed?</li> <li>• Is the power cord inserted?</li> <li>• Does the receptacle have power?</li> </ul>	<ul style="list-style-type: none"> <li>• Close the door.</li> <li>• Insert the power cord firmly.</li> <li>• Check the power cord receptacle.</li> </ul>
Hot air is not blowing out	<ul style="list-style-type: none"> <li>• Is the timer incorrectly set on cold air?</li> </ul>	<ul style="list-style-type: none"> <li>• Set the timer to hot air.</li> </ul>
The laundry is not thoroughly dried	<ul style="list-style-type: none"> <li>• Are the front and back filters clogged?</li> <li>• Is there too much laundry in the dryer?</li> <li>• Have items been added whilst the dryer is in operation?</li> <li>• Has the laundry become twisted whilst drying?</li> <li>• Has the dryer been placed in a small and badly ventilated area?</li> <li>• Have you set the dryer to Anti-Wrinkle?</li> </ul>	<ul style="list-style-type: none"> <li>• Clean the filter.</li> <li>• Reduce the amount in the dryer.</li> <li>• Re-dry the items again</li> <li>• Untwist the items and re-dry.</li> <li>• Place the dryer in a well-vented area.</li> <li>• Try using 'Warm' or 'Hot' setting instead</li> </ul>
Dryer does not start	<ul style="list-style-type: none"> <li>• Is there a power failure?</li> <li>• Is the power cord inserted firmly?</li> <li>• Is the door closed?</li> <li>• Is the timer in the OFF position?</li> </ul>	<ul style="list-style-type: none"> <li>• Try again when there is power</li> <li>• Insert the power cord firmly</li> <li>• Close the door</li> <li>• Set the dry time</li> </ul>

**Drying Capacity: 5.5lbs (2.5kg)**

**Power Source: 120V/60Hz**

**Rated Input: 850W**

**Dimension(W×D×H):  
19.5×16.1×23.8 inches (495×410×605 mm)**

**Net Weight: 37.5lbs (17kg)**

**NOTE: Consistent with our continuing product development policy, improvements may have been made which render the contents of this package slightly different to that shown.**