

SERVICE CART

Owner's Manual

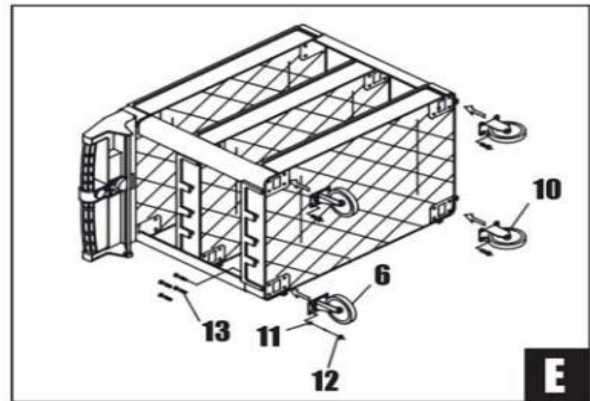
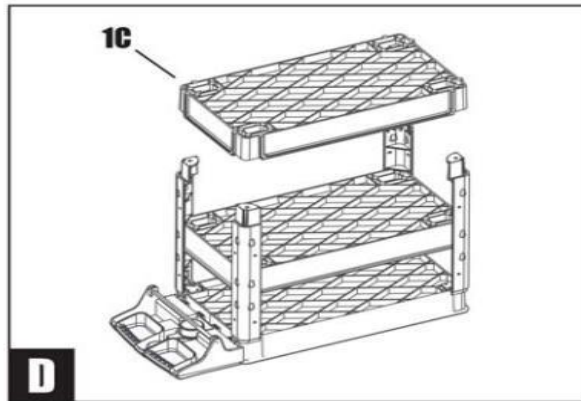
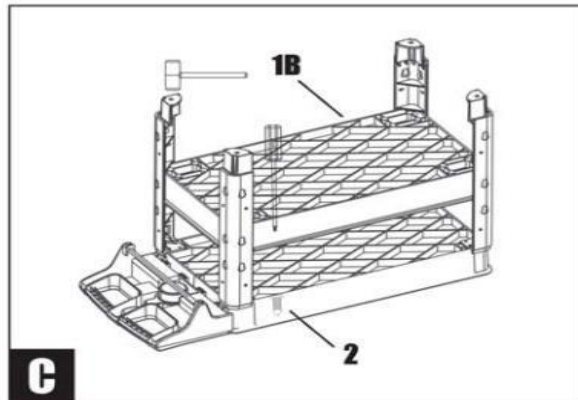
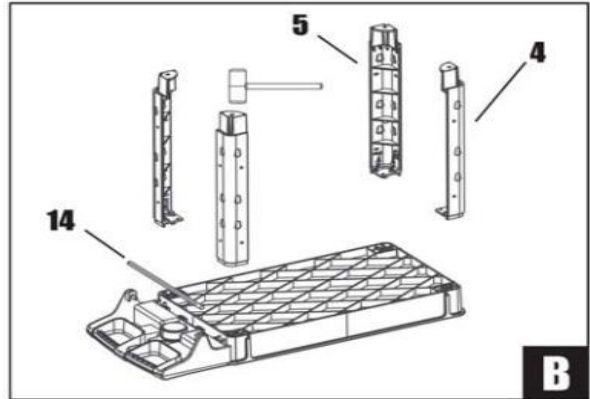
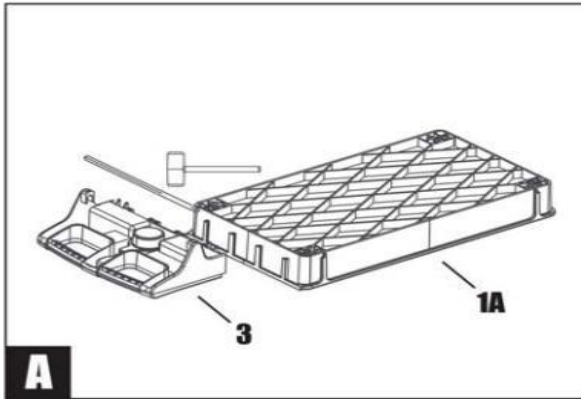


⚠ WARNING: Read carefully and understand all ASSEMBLY AND OPERATION INSTRUCTIONS before operating. Failure to follow the safety rules and other basic safety precautions may result in serious personal injury.

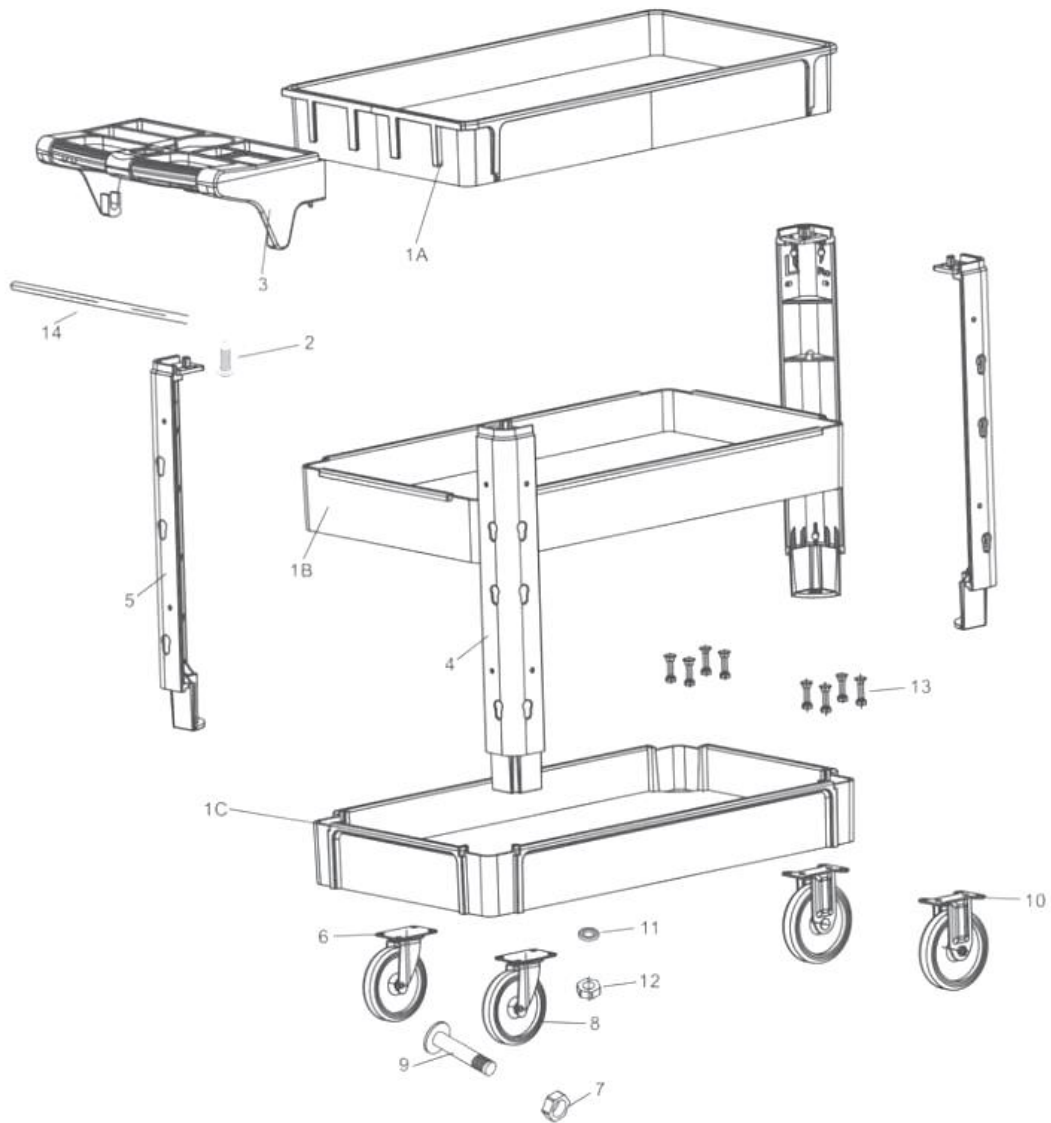
Assembly Instructions

3-Shelf Utility Carts

1. Place one Tray (1A) upside down on the work surface. Locate the Handle (3). Turn it upside down with the cup holder toward the Tray (1A) and the hand holes on the outside. Using a rubber mallet, tap the Handle (5) down into the grooves on the Tray (1A). See Figure A.
2. Locate the two Beams (4). Place one on the Tray (1A) corner nearest the Handle (3), and place one on the diagonal corner located on the outside of the Tray (1A), as in the assembly diagram. Make certain that the end with the screw holes is facing upward. Using a rubber mallet, tap the Beams (4) down into the Tray (1A). Note: Position the Beams so that the flange in each matches the space in the Tray (1A). See Figure B.
3. Locate the two Beams (5). Place one on the Tray (1A) corner nearest the Handle (3), and place one on the diagonal corner located on the outside of the Tray (1A), as in the assembly diagram. Make certain that the end with the screw holes is facing upward. Using a rubber mallet, tap the Beams (5) down into the Tray (1A). See Figure B.
4. Inserts Screws (2) down through each Beam (4) and each Beam (5) into the Tray (1A). See Figures B & C.
5. Locate the second Tray (1B) and turn it upside down. Set the second Tray (1B) onto the Beams (4 & 5), in the middle of the Beams. Secure the Tray into the brackets on the Beams. See Figure C.
6. Locate the third Tray (1C) and turn it upside down. Set the third Tray (1C) onto the Beams (4 & 5) making certain that both Trays (1C) are facing the same way. See Figure D.
7. Turn the cart upside down. Attach two Casters (8) with the Swivel Caster Brackets (6) using a Nut (7) and Screw (9), if necessary. Thread the Screw (13) through the Tray (1C) and into the Casters (8). Attach one Split Washer (11) and one Nut (12) for each hole. See Figure E.
8. Attach another two Casters (8) with the Fixed Caster Brackets (10) using a Nut (7) and Screw (9), if necessary. Thread a Screw (13) through the Tray (1C) and into the Casters (8). Attach one Split Washer (11) and one Nut (12) for each hole. See Figure E.
9. Turn the cart upright. Make certain that all hardware is tight. Make certain the Fixed Casters and Swivel Casters roll properly.



Parts Diagram



Parts List

Reference	Part Number	Part Description	Quantity	Remark
1	1	Tray	3	
2	2	Screw	12	
3	3	Handle	1	
4	4	Beam	2	
5	5	Beam	2	
6	6	Bracket of Swivel Caster	2	
7	7	Nut	4	
8	8	Caster	4	
9	9	Screw	4	
10	10	Bracket of Fixed Caster	2	
11	11	Split Washer M8	16	
12	12	Nut	16	
13	13	Screw	16	
14	14	Rod	1	