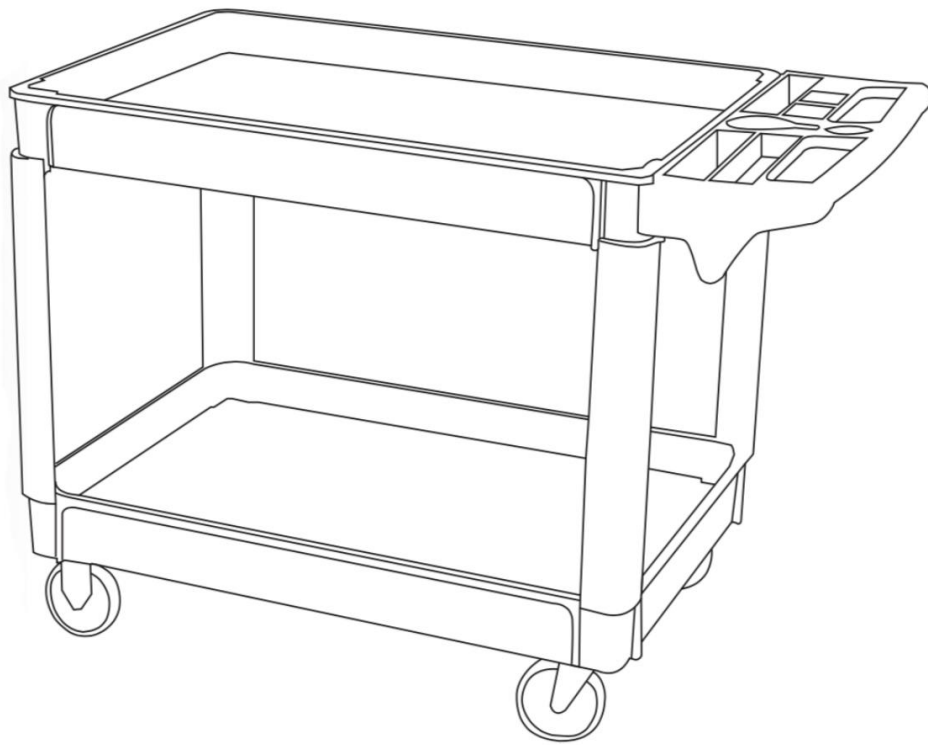
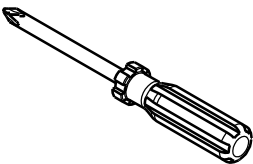
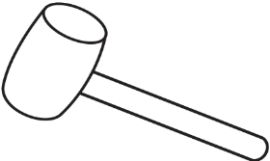


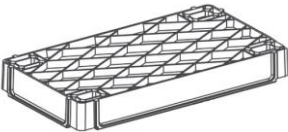
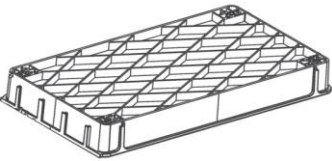
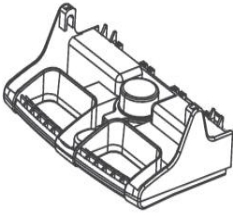
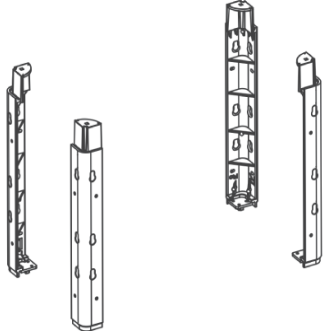
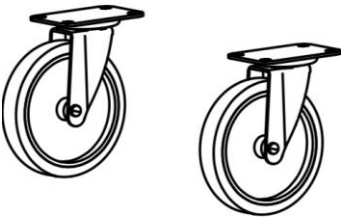

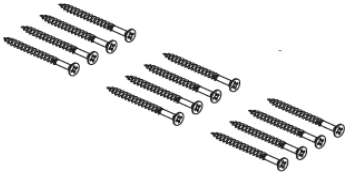
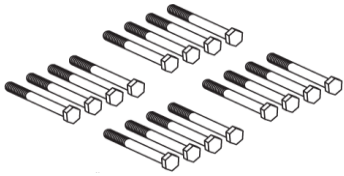

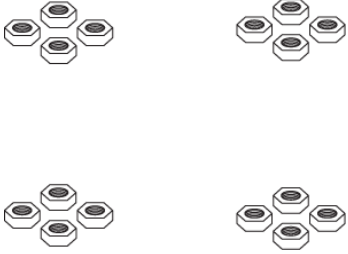

Assembly Instructions



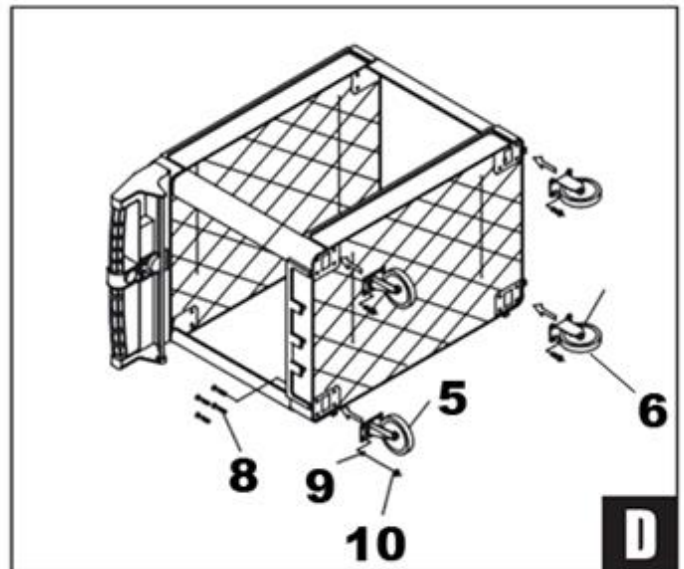
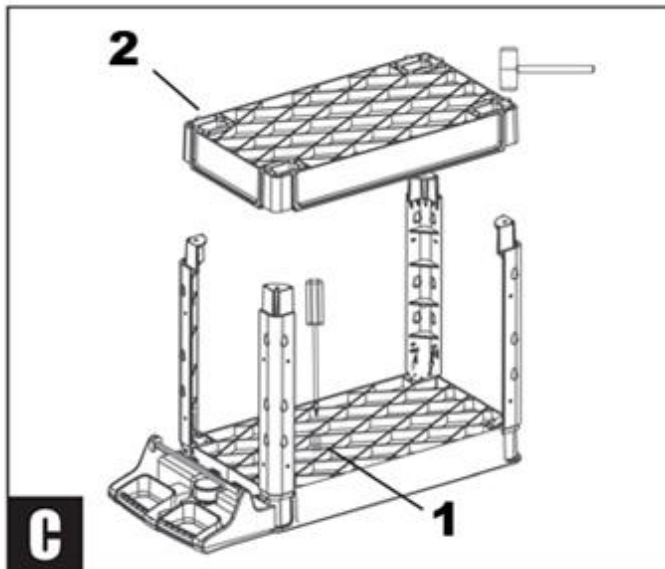
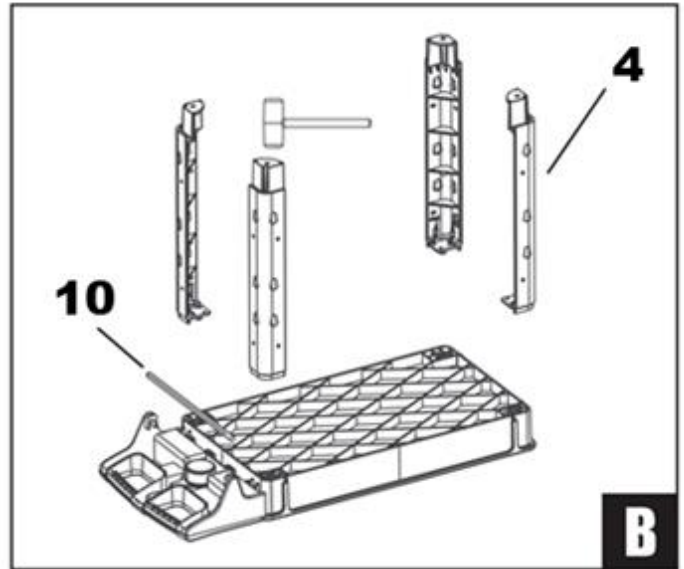
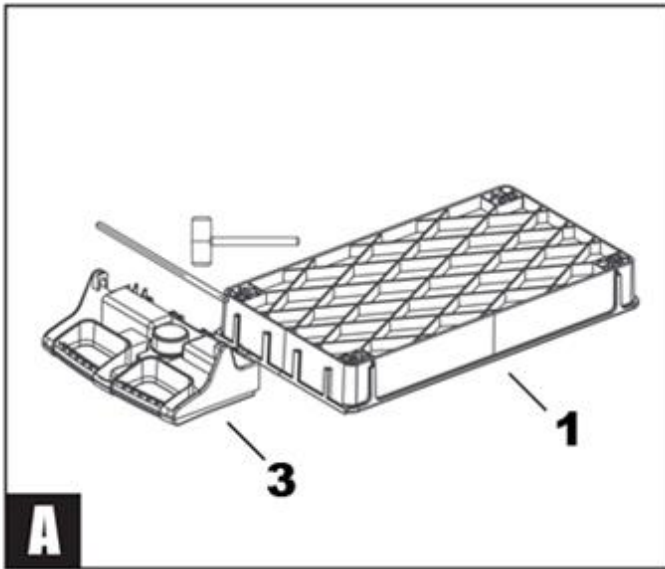
Tools required for installation

Phillips Screwdriver	Rubber mallet		
			

Parts List

1 - Bottom tray	2 - Top tray	3 - Handle tray	4 - Side columns
			
5 - Swivel wheel	6 - Fixed wheel	7 - M6 Screw	8 - M8 Bolts
			
9 - Spring washer	10 - 8mm Nut	11 - Towel bar	
			

Instructions



Exploded Cart Diagram

