

Troubleshooting

Review the following pages before calling for service.

Problem	Possible Cause	What to do
Program knob does not turn	<ul style="list-style-type: none"> Is the power cord inserted firmly? 	<ul style="list-style-type: none"> Insert the power cord firmly
Drum does not turn	<ul style="list-style-type: none"> Is the door closed? Is the power cord inserted? Does the receptacle have power? 	<ul style="list-style-type: none"> Close the door. Insert the power cord firmly. Check the power cord receptacle.
Hot air is not blowing out	<ul style="list-style-type: none"> Is the Program knob in correctly set on cold air? 	<ul style="list-style-type: none"> Set the Program knob correctly
The laundry is not thoroughly dried	<ul style="list-style-type: none"> Are the front and back filters clogged? Is there too much laundry in the dryer? Have items been added whilst the dryer is in operation? Has the laundry become twisted whilst drying? Has the dryer been placed in a small and badly ventilated area? 	<ul style="list-style-type: none"> Clean the filter. Reduce the amount in the dryer. Re-dry the items again. Untwist the items and re-dry. Place the dryer in a well-vented area.
Dryer does not start	<ul style="list-style-type: none"> Is there a power failure? Is the power cord inserted firmly? Is the door closed? Is the Program knob in the OFF position? 	<ul style="list-style-type: none"> Try again when there is power Insert the power cord firmly Close the door Set the dry program

Specifications

Model:	GDZ55-08E	Drying Capacity:	12 lbs
Voltage/Frequency:	110V~/60Hz	Rated Input:	1500W
Net Weight:	57 lbs	Dimensions:	23x19x26 inch

Made in China

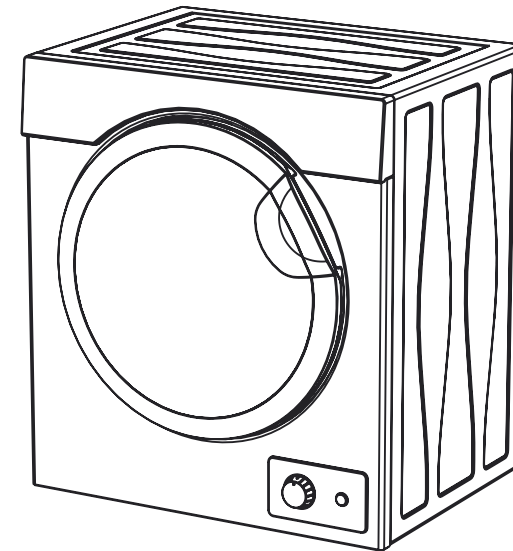
NOTE: Consistent with our continuing product development policy, improvements may have been made which render the contents of this package slightly different to that shown.

ROVSUN



Before using your tumble dryer, please read this manual carefully and keep it for future reference.

12 lbs Tumble Dryer
GDZ55-08E



Instruction Manual



CAUTION: HOT SURFACE!



CAUTION: RISK OF FIRE!

Important Safeguards

When using electrical appliances, in order to reduce the risk of fire, electric shock, and/or injury to persons, basic safety precautions should always be followed, including:

For Your Safety

Read all instructions carefully, even if you are quite familiar with the appliance.

- This appliance is not intended for use by persons (including children) with reduced physical, sensory or mental capabilities, or lack of experience and knowledge, unless they have been given supervision or instruction concerning use of the appliance by a person responsible for their safety.
- Young children should be supervised to ensure that they do not play with the appliance.
- INDOOR USE ONLY – this appliance is not intended for outdoor use.
- Do not place naked flame sources, such as candles, on the appliance.
- Do not locate the appliance or cord near heat sources such as radiators, heaters, air ducts or direct sunlight.
- Do not block any of the ventilation openings. Ensure that vents are not covered by newspapers, tablecloths, curtains, etc.
- Do not run the cord under floor coverings. Instead, arrange the cord away from traffic areas where it will not become a trip hazard.
- To disconnect the appliance, turn the appliance off, switch off the power outlet and remove the plug from the power outlet.
- Do not misuse the cord. Never carry the appliance by the cord or pull to disconnect it from the outlet. Instead, grasp the plug and pull to disconnect.
- Do not operate the appliance if it has a damaged cord or plug; after the appliance malfunctions; or has been dropped or damaged in any way. Consult the manufacturer.
- Do not attempt to repair, disassemble or modify this appliance. The warranty becomes void if not serviced or repaired by a qualified person.
- Do not place items that have been soiled with flammable liquids inside the dryer without washing them with detergent thoroughly before
- Do not excessively bend, stretch, twist or bind the power cord or place heavy objects on it.
- This appliance is only to be serviced by a qualified person. There are no user-serviceable parts inside.
- Do not use an extension cord with this appliance.
- Do not install in a tight fitting cabinet.
- Do not overload the tumble dryer.
- Ensure foreign objects do not find their way into the tub of the tumble dryer.
- The door window may be hot after a long drying cycle. Please ensure children are kept away from the machine.
- If the tumble dryer is not wall mounted, place in a flat, firm, dry and drafty place. Use the adjustable front legs to assist in leveling the dryer if need be. Do not place it on any soft material such as foam or plastic.
- Do not use flammable or combustible materials such as gas, petrol, alcohol or lacquer in the tumble dryer.
- After turning off the power supply to the tumble dryer, wait at least 2 minutes before turning it back on again.
- Please remove the transport packaging at the rear of the tumble dryer, prior to use.
- If the supply cord is damaged, it must be replaced by the manufacturer, its service agent or similarly qualified persons in order to avoid a hazard.

CAUTION: If this appliance is supplied from a cord extension set or an electrical portable outlet device, the cord extension set or electrical portable outlet device must be positioned so that it is not subject to splashing or ingress of moisture.



Oil-affected items can ignite spontaneously, especially when exposed to heat sources such as in a tumble dryer. The items become warm, causing an oxidation reaction in the oil. Oxidation creates heat. If the heat cannot escape, the items can become hot enough to catch fire. Piling, stacking or storing oil-affected items can prevent heat from escaping and so create a fire hazard.

1. If it is unavoidable that fabrics that contain vegetable or cooking oil or have been contaminated by hair care products be placed in a tumble dryer they should first be washed in hot water with extra detergent – this will reduce, but not eliminate, the hazard.
2. Do not dry unwashed items in the tumble dryer.
3. Items that have been soiled with substances such as cooking oil, acetone, alcohol, petrol, kerosene, spot removers, turpentine, waxes and wax removers should be washed in hot water with an extra amount of detergent before being dried in the tumble dryer.
4. Fabric softeners, or similar products, should be used as specified by the fabric softener instructions.
5. The final part of a tumble dryer cycle occurs without heat (cool down cycle) to ensure that the items are left at a temperature that ensures that the items will not be damaged.
6. **WARNING:** Never stop a tumble dryer before the end of the drying cycle unless all items quickly removed and spread out so that the heat is dissipated.

Correct Disposal of this product:



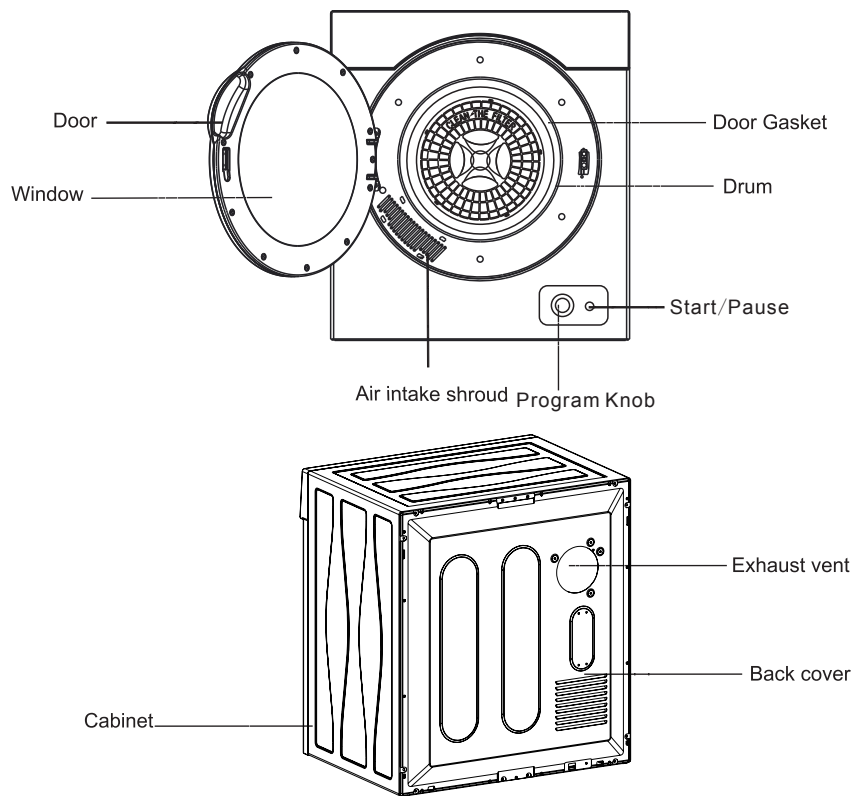
This marking indicates that this product should not be disposed with other household wastes throughout the EU. To prevent possible harm to the environment or human health from uncontrolled waste disposal, recycle it responsibly to promote the sustainable reuse of material resources. To return your used device, please use the return and collection systems or contact the retailer where the product was purchased. They can take this product for environmental safe recycling.

- **this appliance can be used by children aged from 8 years and above and persons with reduced physical, sensory or mental capabilities or lack of experience and knowledge if they have been given supervision or instruction concerning use of the appliance in a safe way and understand the hazards involved**
- **children shall not play with the appliance**
- **cleaning and user maintenance shall not be made by children without supervision**
- **Children of less than 3 years should be kept away unless continuously supervised**

Save These Instructions

- that the tumble dryer is not to be used if industrial chemicals have been used for cleaning
 - that the lint trap has to be cleaned frequently
 - that lint must not be allowed to accumulate around the tumble dryer
 - that adequate ventilation has to be provided to avoid the back flow of gases into the room from appliances burning other fuels, including open fires
 - items such as foam rubber (latex foam), shower caps, rubber backed articles and clothes or pillows fitted with foam rubber pads should not be dried in the tumble dryer
- WARNING:** The appliance must not be supplied through an external switching device, such as a timer, or connected to a circuit that is regularly switched on and off by a utility
- that the appliance must not be installed behind a lockable door, a sliding door or a door with a hinge on the opposite side to that of the tumble dryer, in such a way that a full opening of the tumble dryer door is restricted.

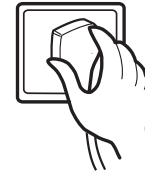
Name of Components



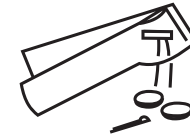
Operating your dryer

Electrical Requirements

The unit is required to be plugged into a three pin socket that is reliably grounded. The power supply must be 240V. Plug the power cord into the socket.



- Check the items to be dried do not have combustible materials or foreign objects within them ie: lighters, hair pins, coins.

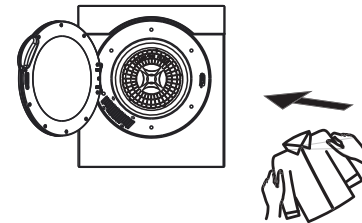


- Turn items with zippers inside out and fasten buckles.



Loading the dryer

It is recommended that items are placed into the dryer one at a time. This ensures they are not tangled which results in uneven drying. When closing the dryer door prior to starting the unit ensure that items are not jammed in the door.



- Dryer heat may permanently set stains, ensure you check prior to drying that stains are removed.
- Separate dark and light colored items as you would do when washing.
- For best results load the dryer with similar fabrics. Place small delicate items in a mesh bag and do not overload the dryer.
- The maximum mass is 4.0 kilogrammes of dry textile material for the dryer and do not overload. The tumble dryer is intended only for drying textile material washed in water.

Tips before drying

Prior to loading the dryer check that the items do not have the following the symbols anywhere on them. If they do, do not tumble dry these items.



Dry flat



Dry in the shade



Do not tumble dry

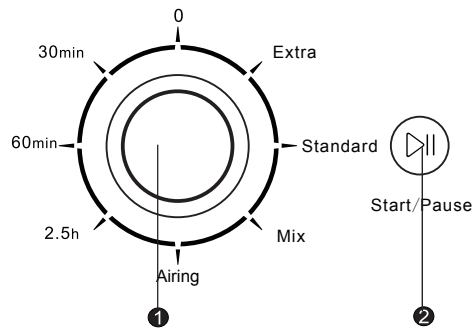


Hang to dry



Drip dry

Control Panel Functions



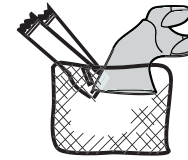
- ❶ PROGRAM (Extra, Standard, Mix, Airing, 2.5h, 60 min, 30min)
- ❷ START / PAUSE

- 1) Decide on a program according to the texture and capacity of the clothes. Select the "PROGRAM knob" to the desired program.
- 2) Push "START/PAUSE" button, this will start the program. If you wish to pause the program to add more clothes push the "START/PAUSE" button again. Be careful when opening dryer door, hot steam can release. To continue program, make sure the door is closed then push the "START/PAUSE" button once again. When the dryer is in pause mode it is possible to change or restart programs.

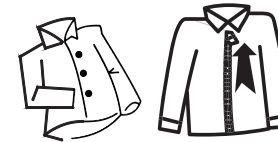
Program	Max volume of dry clothings	Clothings type	Max dry time
Extra	9~12 lbs	cotton weaving clothes, jeans and bedsheets	170min
Standard	9~12 lbs	Cotton clothes, jeans	140min
Mix	< 9 lbs	Cotton clothes, synthetic	110min
Airing	< 7 lbs	Some clothes not suitable for drying, such as silk clothing, polyster and fiber	90min
2.5h	< 12 lbs	Cotton clothes	150min
60min	7~8 lbs	Quick-drying Clothes	70min
30min	< 7 lbs	Warm clothes	30min

Operation Precautions

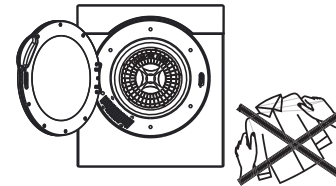
Delicate items should be placed into a nylon net bag prior to drying. It is not recommended to dry under wire bras in this unit.



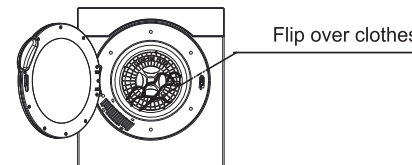
Ensure that foreign objects do not find their way into the dryer. All pockets should be emptied, buttons, buckles and zips fastened. This will also help reduce impact noise when the items hit against the turning drum.



Do not add items into the dryer whilst it is in operation.



If drying large items such as a blanket, it is recommended that from time to time you open the dryer door, shake the item, place the item back in the dryer and close the door. This will ensure even drying.



Remove all objects from pockets such as lighters and matches.

If any of the below labels are on an items that you are going to place in the dryer, stop, do not, as the dryer may damage the item.



Dry flat



Dry in the shade



Do not tumble dry

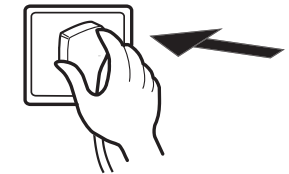


Hang to dry

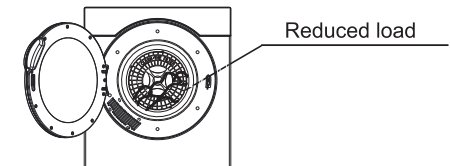


Drip dry

Electrical Requirements: A three pin socket must be used. (reliably grounded)



To ensure you get the most out of the Anti-wrinkle function do not overload the dryer and remove the dried items from the dryer immediately and hang on coat hangers. Iron the items if desired.



To minimize the risk of fire in a tumble dryer, the following should be observed:

- Items that have been spotted or soaked with vegetable or cooking oil constitute a fire hazard and should not be placed in a tumble dryer.

Oil-affected items can ignite spontaneously, especially when exposed to heat sources such as in a tumble dryer. The items become warm, causing an oxidation reaction in the oil. Oxidation creates heat. If the heat cannot escape, the items can become hot enough to catch fire. Piling, stacking or storing oil-affected items can prevent heat from escaping and so create a fire hazard.

Ensure that the fan is switched off from the supply mains before removing the guard.

If it is unavoidable that fabrics that contain vegetable or cooking oil or have been contaminated by hair care products be placed in a tumble dryer they should first be washed in hot water with extra detergent - this will reduce, but not eliminate, the hazard.

The 'cool down' cycle of tumble dryers should be used to reduce the temperature of the items. They should not be removed from the tumble dryer or piled or stacked while hot.

Items that have been previously cleaned in, washed in, soaked in or spotted with petrol/gasoline, dry-cleaning solvents or other flammable or explosive substances should not be placed in a tumble dryer.

Highly flammable substances commonly used in domestic environments include acetone, denatured alcohol, petrol/gasoline, kerosene, spot removers (some brands), turpentine, waxes and wax removers.

- Items containing foam rubber (also known as latex foam) or similarly textured rubber like materials should not be dried in a tumble dryer on a heat setting.

Foam rubber materials can, when heated, produce fire by spontaneous combustion.

- Fabric softeners or similar products should not be used in a tumble dryer to eliminate the effects of static electricity unless this practice is specifically recommended by the manufacturer of the fabric softener or product.
- Undergarments that contain metal reinforcements should not be placed in a tumble dryer.

Damage to the tumble dryer can result if metal reinforcements come loose during drying. When available a drying rack could be used for such items.

- Plastic articles such as shower caps or babies' waterproof napkin covers should not be placed in a tumble dryer.
- Rubber-backed articles, clothes fitted with foam rubber pads, pillows, galoshes and rubber-coated tennis shoes should not be placed in a tumble dryer.

Operating guide

- In standby state, confirm the normal state is ok
- Open the door and put clothes in drum, the clothes weight should not exceed rated drying capacity for appropriate
- Close the door and check if these clothes to be pinned by door
- Select program, according to actual need to choose the drying time / program
- Push start/pause button and dryer start working
- Dryer stop work after one or two minutes, take out the dried clothes

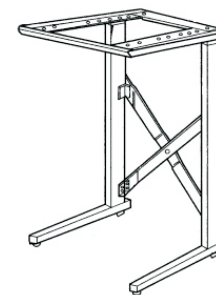
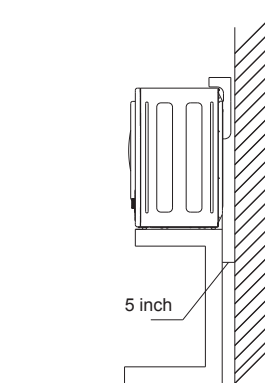
Installation Instructions

This dryer can not be used upside down Where to place your dryer

Place the dryer in a dry well ventilated area. It should be positioned away from heat and direct sunlight.

If the dryer is not wall mounted, it must be placed on firm horizontal ground. Do not place the dryer on carpet as this will block the intake. There should be at least 5 inch between the dryer and the walls.

If the dryer is rack mounted. A secure bracket is required to ensure stability and prevent vibration. At least 5 inch between the dryer and walls is required (The bracket is not included).



Bracket

Wall Mounting Instructions

1. Determine dryer position on wall and mark required bracket position. This dryer is not suitable to be directly placed on top of a washing machine.

* A minimum 50mm is needed between the top of the dryer and the ceiling for ease of installation.

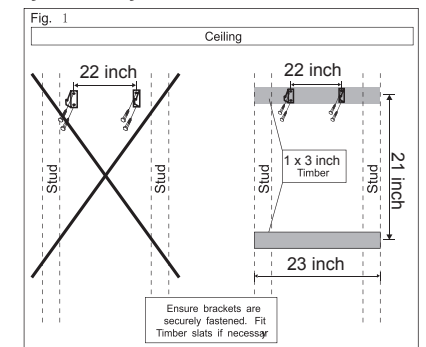
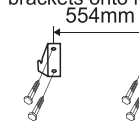
* If mounting above a washing machine, allow sufficient room to open the lid of the washer.

Tools required		
Tools & parts required for Plaster/ wooden wall	Drill & 3mm Bit	1
	Phillips Head Screw Driver	1
	Wood Screws, ϕ 12 x 50mm Timber Screws	4
	Helper to lift dryer onto wall	1

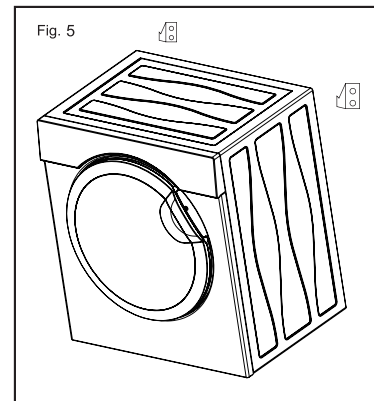
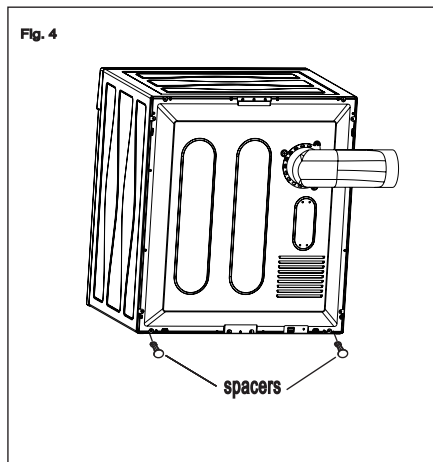
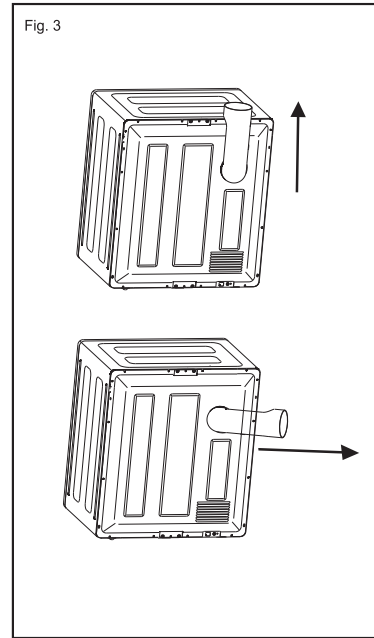
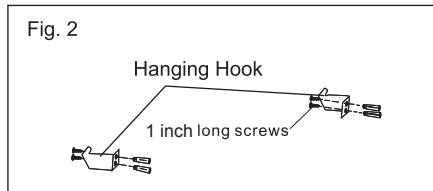
Note: Optional for Wall Mounted Kits with Extra Cost.

Wall Mounting Kit Includes		
Description	Hanging brackets	2
	Plastic Spacers	2
	Exhaust connector	1
	55mm Long Screws	4

2. Fix the wall hanging brackets (2 supplied) to the wall securely (eg. into the stud.) Fit a timber slat between the studs to mount the brackets onto if the stud position is too wide.



- To install the hanging hook to wall, start at Fig 2.
- Align hanging hooks and fasten screws tightly.
- Install exhaust pipe: Adjust the direction of the exhaust outlet(1) as shown in Fig. 3.
- Fix the 2 spacers as per Fig4.
- With assistance, mount dryer on wall. See Fig. 5.



Note: All accessories Optional with Extra Cost.

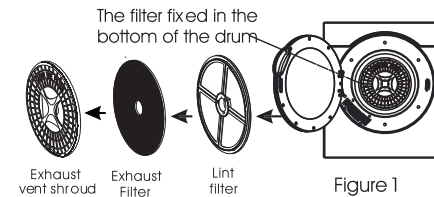
Maintenance

Cleaning the Lint Filter

Please unplug the power cord prior to any cleaning. The lint filter must be in place whenever drying. It must be cleaned before each use.

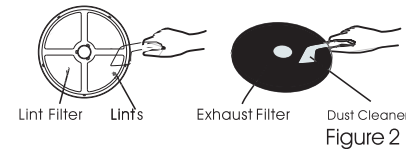
1. Removing the filters

Remove by pulling outwards with fingers, inserted into the four holes around the exhaust vent shroud. The filter is in 3 parts: Exhaust vent shroud, lint filter and exhaust filter (as shown in figure1)



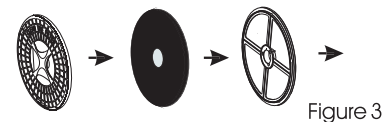
2. Cleaning the filter

Separate "exhaust vent shroud", "lint filter" and "exhaust filter". Clean the lint on the lint filter and exhaust filter with a soft brush or vacuum cleaner. Do not damage the filters (as shown in figure 2)



3. Re-installing the filter

After cleaning, assemble in the sequence of "exhaust filter - lint filter - exhaust vent shroud", align the recesses in the center with the projection in the center of the drum. Make sure that it is firmly inserted (as shown in figure 3).



Note: The filter fixed in the bottom of the drum should also be cleaned with a soft brush.

Cleaning of the Air Intake Filter

The filter should be cleaned once a month.

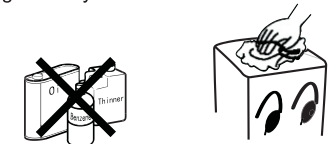
Remove by pulling outwards holding the upper and lower ends of the air intake shroud. Remove the filter inside the shroud and clean it with a soft brush. Reassemble and install as before.



Slightly push upwards with your thumb until the latch hook disconnects, then remove.

Cleaning the interior & exterior of the Dryer

Do not wash directly with water. Do not use thinner, gasoline or alcohol. Do not use any type of spray cleaner when cleaning the interior. If dryer drum becomes stained, clean the drum with a damp cloth. Remove any residue before drying the next load. Clean cabinet with mild soap and water. Do not use harsh or abrasive cleaners, this could damage the dryer.



WARNING: Regularly clean the lint trap

