

ROVSUN

Model: TG-OB

OPERATING INSTRUCTIONS



FOR PROPANE OR LPG USE ONLY

DO NOT USE WITH BUTANE

OUTDOOR USE ONLY

**OPERATES ON DISPOSABLE 1 LB
PROPANE CYLINDER (NOT INCLUDED)**

Please note product shown may differ slightly
from that received in the box

Read this instruction first before the use of the gas grill and please also retain it for future reference.

This instruction manual contains important information necessary for the proper assembly and safe use of the appliance.

Read and follow all warnings and instructions before assembling and using the appliance.

Follow all warnings and instructions when using the appliance.

Keep this manual for future reference.

 **WARNING**

If you smell gas:

1. Shut off gas to the appliance.
2. Extinguish any open flame.
3. Open lid.
4. If the odor continues, keep away from the appliance and immediately call your gas supplier or local fire department.

Failure to follow these instructions could result in fire or explosion, which could cause property damage, personal injury or death

 **WARNING**


1. Never operate this appliance unattended.
2. Never operate this appliance within 10 ft (3 m) of any structure, combustible material or other gas cylinder.
3. Never operate this appliance within 25 ft (7.5 m) of any flammable liquid.
4. If a fire should occur, keep away from the appliance and immediately call your fire department. Do not attempt to extinguish an oil or grease fire with water.

Failure to follow these instructions could result in fire, explosion or burn hazard, which could cause property damage, personal injury or death

 **SAFETY INFORMATION**

Please read the following instructions carefully before attempting to assemble, operate or install the product. Failure to follow these instructions may result in serious bodily injury and/or property damage.

LP- gas supply cylinder to be used must be constructed and marked in accordance with the specifications for LP-gas cylinders of the U.S Department of Transportation (DOT) or the National Standard of Canada, CAN-B339, Cylinders, Spheres and Tubes for the Transportation of Dangerous Goods

1. The installation must conform with local codes or, in the absence of local codes, with the National Fuel Gas Code, ANSI Z223.1/NFPA 54, Storage and Handling of Liquefied Petroleum Gases, ANSI/NFPA 58; or Natural Gas and Propane Installation Code, CSA B149.1; Propane Storage and Handling, CSA B149.2.
 2. Table top grill is for outdoor use only. Grill should be operated in a well-ventilated space. Never operate in an enclosed space, garage or building. Your grill is not intended to be installed in or on recreational vehicles and /or boats .
 3. Do not install or use grill within 36" (10ft recommended) of combustible materials from back and sides of grill. Grill shall not be located under overhead surfaces (closed carport, garage, porch, patio) that can catch fire.
- 
4. Never attempt to attach this grill to the self-contained LP gas system of a camper trailer or motor home.
 5. It is the responsibility of the assembler/owner to assemble, install and maintain gas grill. Do not let children and pets operate or play near your table top grill. Failure to follow these instructions could result in serious personal injury and/ or property damage.
 6. Remove lid before lighting grill. When grill is not in use, turn off control knob on regulator.
 7. Carefully follow instructions in this manual for proper assembly and leak testing of your grill. Do not use grill until leak checked. If leak is detected at any time, it must be stopped and corrected before using grill further.
 8. Appliance area should be kept clear and free from combustible materials, gasoline, bottled gas in any form and other flammable vapors and liquids. Do not obstruct flow of combustion and ventilation air.
 9. Ensure proper bottle position prior to lighting your grill. Bottle should be vertical.
 10. Never try to light grill with lid closed! Buildup of gases is very dangerous and could cause an explosion.
 11. Keep any electrical cord of fuel supply hose away from any heated surfaces.
 12. Propane is a flammable gas and improper handling may result in explosion and/or fire and serious accident or injury.
 13. This appliance will be hot during and after use. Use insulated oven mitts or gloves for protection from hot surfaces or splatter from cooking liquids.
 14. Do not leave your grill unattended while in operation.
 15. Do not use while under the influence of drugs or alcohol.
 16. Do not store any spare LP (propane) cylinder, full or empty, under or near your grill.
 17. Appliance is not intended for commercial use or rental.
 18. The cylinder must be disconnected when the appliance is not in use.
 19. (a) Do not store a spare LP-gas cylinder under or near this appliance;
(b) Never fill the cylinder beyond 80 percent full; and
(c) If the instructions in "-b12(a)" and "-b12(b)" are not followed exactly, a fire causing death or serious injury may occur.

NATURAL HAZARD • SPIDERS

FACT: Sometimes spiders and other small insects climb into the burner tube. The spiders spin webs, build nests and lay eggs. The webs or nests can be very small, but they are very strong and can block the flow of gas. Clean burner prior to use after storing, at the beginning of grilling season or after a period of one month not being used



SAFETY INFORMATION

The Fuel System

Gas grills are used safely by millions of people when following simple safety precautions.

The items in the fuel system are designed for operation with this grill. They must not be replaced with any other brand. (See parts list for replacement items.)

GAS BURNER: The gas burner is constructed of tubular stainless steel and should not require maintenance other than inspection for insects/nests inside the air intake slots.

BURNER VALVE/REGULATOR: The burner control is actually a regulator/valve assembly. The regulator attaches directly to the end of the burner, which extends out of the right end of the grill by, a 1-pound propane cylinder threads into the regulator. **Only a factory supplied gas valve/regulator must be used.** (See parts list for replacement items.)

LP GAS REGULATOR CAUTION

The gas pressure regulator provided with this appliance must be used. This regulator is equipped with the required orifice and is set for the required outlet pressure for this appliance. This combination of orifice size and pressure regulation specifications provides the cooking performance intended by ROVSUN Table Top Grill. Substitution of regulator by any other device or any other manufacturer is dangerous and could result in serious injury.

LP GAS REGULATOR

The gas pressure regulator is shipped loose and must be installed prior to operating your grill. This is a “slip-fit”~ requiring no tools. See assembly instructions on page 6 for proper installation. The regulator may be removed from the grill after use. Turn the regulator control knob to the “OFF” position; disconnect the LP cylinder and allow the grill to cool for at least 30 minutes prior to removing regulator.

Care should be taken to store the regulator in a clean, secure location when the grill is not in use. The threaded cylinder connection area should be kept clean and free of dust, dirt, sand or any foreign materials. Clean both the regulator and LP cylinder threaded areas prior to connecting cylinder to regulator.

PROPANE FUEL: Warning - propane is a flammable gas. Improper handling may result in an explosion and/or fire and serious accident or injury. Your grill is designed to operate with propane (LP) gas only and is equipped with the proper orifice for propane gas. **Caution:** Do not connect this grill with any gas supply other than propane. Propane gas is heavier than air and settles in lower areas. Make certain adequate ventilation is available when using your grill. The gas cylinder may be stored outside in a well-ventilated area out of the reach of children when the grill is not in use.

LP GAS CYLINDER: This grill is designed and intended to be used with a disposable propane cylinder with a nominal fuel weight of 1 lb. Such a cylinder is approximately 4” in diameter and 7” long. The ROVSUN Table Top Grill does not include an LP gas cylinder. This must be purchased separately and be found at most hardware stores. The cylinder used must be constructed in accordance with the specifications for LP cylinders of the U.S. Department of Transportation (DOT) DOT-39 NRC232/290 MIIIO.

SAFETY INFORMATION

The LP gas cylinder shall be used only outdoors in a well-ventilated space and not in a building, garage, or any other enclosed area. The ROVSUN Table Top Grill may be stored indoor if the LP gas cylinder is removed and stored outdoor. The LP gas cylinder (not included) is threaded for connection directly to the gas regulator supplied with this appliance. Care should be taken when threading the cylinder to the regulator to engage threads correctly to achieve the proper and intended connection. When disconnecting or connecting the gas cylinder, be careful that the regulator does not strike the grill, the ground, or any other surfaces. Replace the protective cap over the threaded cylinder connection when removed from grill. If any difficulty occurs when connecting or disconnecting the cylinder to the regulator assembly, contact your local gas supplier for assistance.

When re-connecting the LP gas cylinder to the regulator, be sure to hand-tighten until snug. This connection should be inspected for damage and leak tested after each re-connection.

To leak test, make a soap solution of one part liquid detergent and one part water. You will need a spray bottle, brush, or rag to apply the solution to the fitting. Bubbles indicate leaks.

PACKAGE CONTENTS

Part	Description	Quantity
1	Grill	1 set
2	Regulator	1 set



1



2

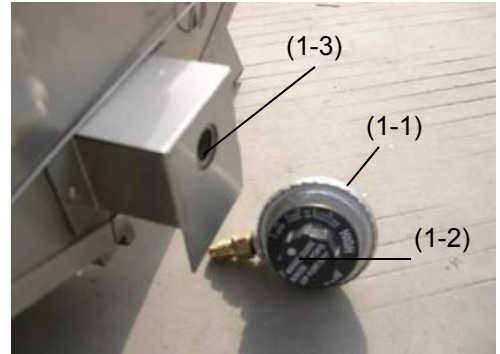
PREPARATION

Before beginning assembly, installation or operation of product, make sure all parts are present. Compare parts with package contents list and diagram above. If any part is missing or damaged, do not attempt to assemble, install or operate the product. Contact customer service for replacement parts.

- The Grill is pre-assembled. The only assembly required is to connect the gas regulator into the grill.
- Estimated Assembly Time: 5-8 minutes
- Tools Required for Assembly: Wrench

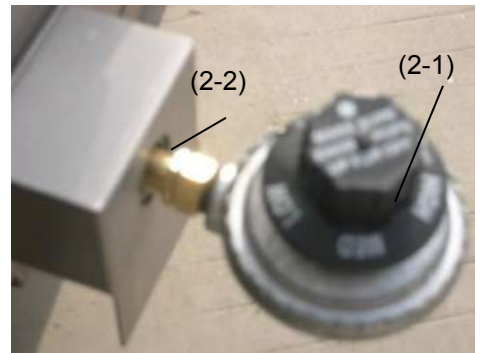
Fig. 1

1. Locate the gas regulator (1-1). Grasp the regulator (1-1) with the knob (1-2) facing directly up. Line up the collar on the regulator (1-1) with the open end of the burner tube (1-3) as shown in fig. 1.



2. Screw the regulator (2-1) into the open end of burner (2-2) as shown in fig. 2.
3. Once the regulator is in as far as it will go, tighten with a wrench. Turn the regulator so that the knob is facing forward.
4. Note: Always make sure the regulator is secured in the fully lockin position before attaching propane cylinder.
5. (3-2)Be sure the gas control knob (3-1) is in the "OFF" position. Check to make sure threaded areas on cylinder and regulator are clean. Screw the propane cylinder (3-2) onto the regulator (3-3) making sure to engage threads correctly to achieve proper connection. To remove the propane cylinder (3-2) unthread the cylinder from the regulator (3-3) as shown in fig.3.

Fig. 2



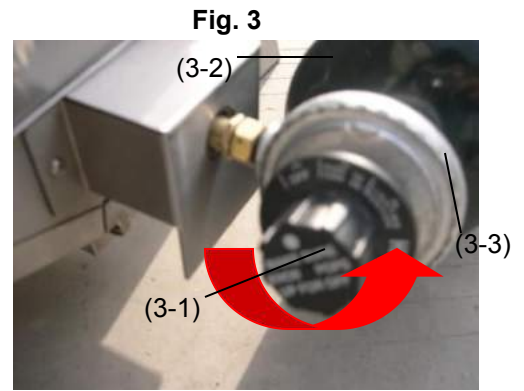
Please make sure the attaching of regulator and burner is proper, or the gas leak may occur.

To verify the proper installation, please follow the procedure below.

GAS LEAK TEST PROCEDURE

Never use a naked flame to check for gas leaks. Always use the following procedure to check for gas leaks.

1. In a small container, mix up a solution of water and detergent or soap. Mix the solution well.
2. Turn the gas supply on.
3. Using a brush or spray bottle apply the solution to the gas line and each joint in the gas line.
4. Bubbling of the solution will indicate that there is a leak present.
5. Re-tighten or re-seal any joints that are leaking.



OPERATION INSTRUCTIONS

BURNER VALVE / REGULATOR

The burner control operates in the following positions indicated by the pointer at the top of the regulator as installed on the grill:

- OFF – This stops the flow of gas to the

burner.

- PUSH TO TURN ON – Push “IN” on the knob to release the knob from the locked “OFF” position.
- HIGH – This position provides the highest gas flow and the hottest cooking temperatures.
- MED – This position provides cooking temperatures between HIGH and LOW.
- LOW – This position provides the lowest cooking temperatures.

COOKING TEMPERATURE SETTINGS

- HIGH – Approximately 450 °F
- MED – Approximately 400 °F
- LOW – Approximately 350 °F

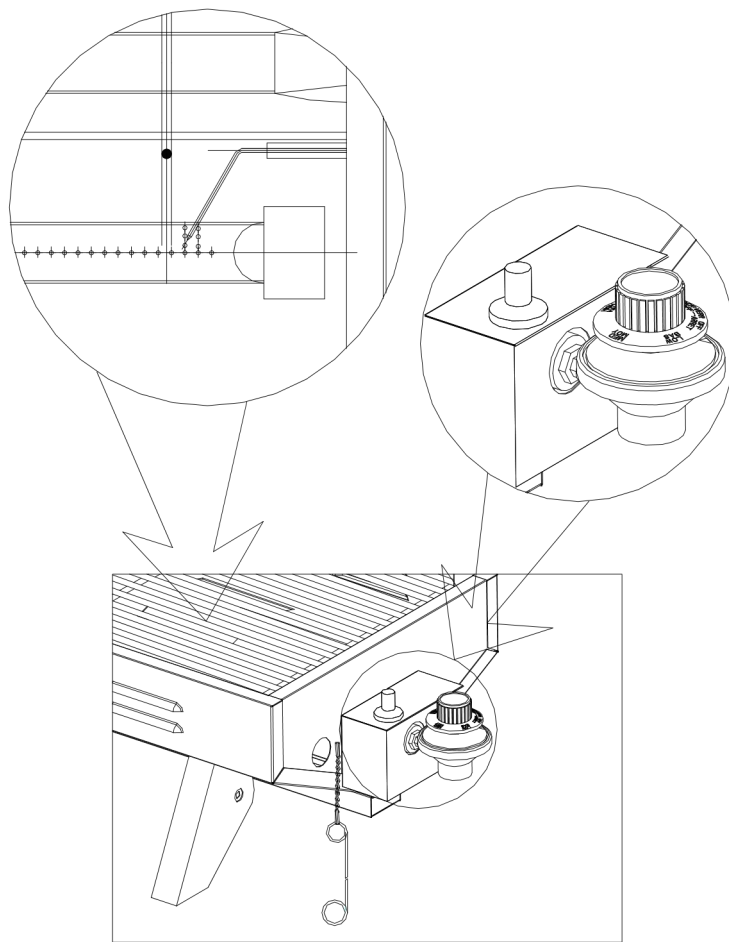
Note: A disposable 1 lb. propane cylinder “NEAR EMPTY” can significantly reduce internal pressure and may affect the regulator’s capability to accurately control gas flow. As the propane cylinder reaches empty, this may cause “hotter-than-normal” cooking temperatures during the final minutes of use.

Note: A disposable 1 lb. propane cylinder will provide approximately 4-6 hours of cooking time with the Grill.

LIGHTING INSTRUCTIONS

1. Make sure the regulator is properly secured into the burner end.
 2. Make sure the propane cylinder is tightly treaded into the regulator (hand tighten only).
 3. Place the legs in up position.
 4. Open lid. Always open lid when lighting.
 5. Press the button for several times and the spark will appear at the end of ignition needle.
 6. Push the gas burner control knob "IN" and turn the control knob counterclockwise to the "lighting Position" while watching burner flame.
 7. If ignition does not occur in 3-5 seconds, turn the control knob "OFF". Wait 5 minutes before attempting to re-light the grill.
- With burner lit, gently close the lid and allow the grill to warm up for 20-30 minutes prior to use.

Note: If the burner should go out for any reason, turn the control knob to the "OFF" position. Wait 5 minutes before attempting to re-light.



OPERATION INSTRUCTIONS

TURNING THE GRILL OFF

1. Open the lid.
2. Turn the regulator control knob to the "OFF" position. **Caution:** Do not attempt to re-light the grill without following all the lighting instructions.
3. Allow the grill body to cool at least 30 minutes before attempting to move or transport.

FLAME CHARACTERISTICS

Flames should be blue and stable with no yellow tips, excessive noise or lifting. Yellow flames indicate insufficient air. Noisy flames or flames that lift away from the burner indicate too much air. Also, check to see if the air shutter or burner ports are blocked by dirt, debris, spider webs, etc.

Typical flame pattern and proper flame height is shown in fig. 5

Fig. 5

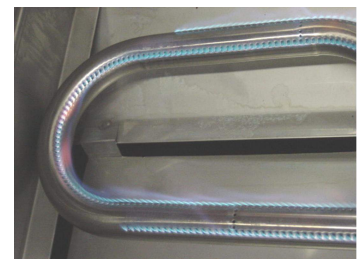
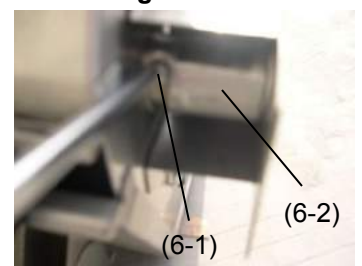


Fig. 6



To adjust for proper flame, use a Philips screwdriver to loosen the screw (6-1) located in the main igniter gas collector (6-2). Turn the screw clockwise to close the air shutter, and counterclockwise to open the air shutter as shown in fig. 6. After adjusting, tighten the screw to affix the air shutter.

USING THE GRILL

1. Find a level surface to grill on.
2. Allow the grill to warm up with the lid closed for 20-30 minutes prior to cooking.
3. The Grill is equipped with an adjustable HIGH/MED/LOW control knob, which allows for complete flexibility in cooking temperatures. HIGH – Approximately 450 °F MED – Approximately 400 °F LOW – Approximately 350 °F
4. You may cook on the grill in any weather. If the temperature is extremely cold or hot, the cooking times will be slightly increased or decreased. Keep the grill out of excessive winds when operating.
5. The cooking times listed below are only suggestions. Cooking times vary depending on thickness of meats and the desired degree of preparation.

GRILLING

- Steak – (T-Bone), thick cut, medium doneness: grill 10 minutes on each side on MED setting.
- Chicken – (Quarters), average size fryer: grill 30 minutes per side on MED setting. Check for doneness.
- Pork – (Ribs/chops): grill 10-20 minutes per side on MED setting. Check for doneness.
- Fish – grill 20-30 minutes on LOW setting.
- Turkey - (Breast): grill 10 minutes per pound or until internal temperature reaches 170 °F on MED setting.

CARE AND MAINTENANCE

There is very little care and maintenance needed. The ROVSUN Table Top Grill is designed and made of materials that will last many years with normal use. Following these instructions will improve the longevity and quality of cooking. To ensure safe operation of your grill, the area of cooking should always be kept free of combustible materials of any type, such as gasoline or other flammable vapors or liquids.

- Outside Grill Parts - This is stainless steel. It can be cleaned easily with warm soapy water or any stainless steel cleaner.
- Cooking Grid and Grease Tray – The cooking grid is made of high quality porcelain coated steel. The cooking grid should be brushed with a steel brush immediately after cooking, while the grill is still warm. The grease tray is also porcelain coated steel and can be cleaned with a flat scraper such as a putty knife. **Caution:** The grease tray must be kept clean and free of heavy buildup for the grill to perform properly and to eliminate flare-ups.
- Firebox - Use warm soapy water to clean this area. Do not allow grease to build up.
- Drain Hole – The drain hole must be kept clear of grease and food particles to allow drippings to drain properly into the grease tray. This must be done to maintain proper operation of your grill.
- General - This grill, like all equipment, will look better and last longer if kept out of the weather when not in use. **Caution:** Do not store propane cylinders in enclosed areas. When using a cover or moving the grill, always wait until the grill has cooled for at least 30 minutes.
- - Not obstructing the flow of combustion and ventilation air.
- - A clogged tube can lead to a fire beneath the appliance.

This unit **must** be kept in an area free from combustible materials, gasoline and other flammable vapors and liquids.

Make sure all openings into the grill body are free of blockages or debris and there are no objects or materials blocking the flow of combustion or ventilation. Make sure the legs are in the up position when using the grill.

Check burner air inlet openings (behind the inlet guard on the right end of the grill body) for insect nests or blockages. Make sure the slots in the burner tube are clear.

When the grill is not in use, turn the control knob to the "OFF" position and remove the propane cylinder from the regulator. Remove the regulator from the burner.

For outdoor use only, if stored indoors, detach propane cylinder and store outdoors. Propane cylinders must be stored out of reach of children.

Important

First-time use: It is important that the grill be lit and allowed to heat up for at least 30 minutes before any food is placed on the cooking grid. It is normal for some smoke to appear during the initial operation of the grill. After initial heating, the grill is ready for use. A cooking spray can be used on the cooking grids to allow easier clean up.

THIS COOKING APPLIANCE IS FOR OUTDOOR USE ONLY AND SHALL NOT BE USED IN A BUILDING, GARAGE OR ANY OTHER ENCLOSED AREA.

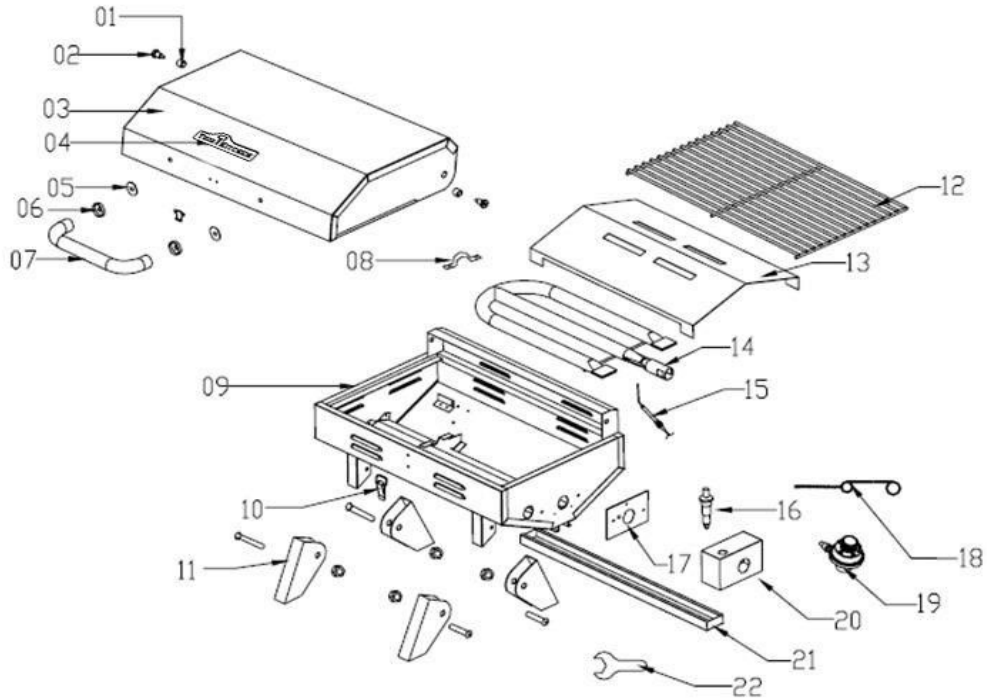
MOVING INSTRUCTIONS

Caution: Never move the grill with burner lit.

Make sure control knob is in the "OFF" position. Disconnect the propane cylinder from the regulator. Remove the regulator from the grill. Be sure the grill has completely cooled for at least 30 minutes. Close the lid and secure the latch. Place the legs in the down position. Use the handle to carry the grill.

Note: It is best to leave the grease tray in place attached to the bottom of the grill-some grease may continue to drip from drain hole during transport.

TG-OB



Part	Description	Part Qty.	Part	Description	Part Qty.
1	Main Lid Screw Cover	2pcs	13	Flame Tamer	1pc
2	Main Lid Screw	2pcs	14	Main Burner	1pc
3	Main Lid	1pc	15	Ignite Needle	1pc
4	Logo	1pc	16	Piezoelectric Igniter	1pc
5	Main Lid Handle Heat Insulating Spacer	2pcs	17	Ignition Bracket Heat Insulating Spacer	1pc
6	Main Lid Handle Seat	2pcs	18	Fire Rod	1pc
7	Main Lid Handle	1pcs	19	Regulator, LP	1pc
8	Main Burner Clamp	1pc	20	Grease Collector Box	1pc
9	Main Burner Bowl Assembly	1pc	21	Firebox Heat Shield	1pc
10	Lock Button	1pc	22	Wrench	1pc

11	Foldable Leg	4pcs			
12	Cooking Grate	1pc			

TROUBLE SHOOTING

! **WARNING** Spiders and insects can nest inside the burners of the grill and disrupt gas flow. This very dangerous condition could cause a fire behind the valve panel, thereby damaging the grill and making it unsafe for operation. Inspect the grill at least twice a year.

When to Look for Spiders

You should inspect the burners at least twice a year or immediately after any of the following conditions occur:

1. The smell of gas in conjunction with burner flames appearing yellow.
2. The grill does not reach temperature.
3. The grill heats unevenly.
4. The burners make popping noises.

BEFORE CALLING FOR SERVICE

Problems	What To Do
Grill will not light.	Check to see if the liquid propane cylinder is empty. Check burner ports for any blockage. Use a soft wire brush to clear plugged ports. Check the gas orifice on the burner for an obstruction. If orifice is blocked, clean with a needle or thin wire. NEVER USE A WOODEN TOOTHPICK.
Bur ner flame is yellow or orange in conjunction with gas odor.	Check for spiders and insects Call customer service at (1) 855-882-2333 Email at support@rovsun.com
Low heat with the control knob on the "HI" setting.	Make sure the grill area is clear of dust. Make sure the burner and orifice are clean. Check for spiders and insects. Is there adequate gas supply available? Is the grill being preheated for 15 minutes?