

# ELECTRIC SAUSAGE STUFFER INSTRUCTION



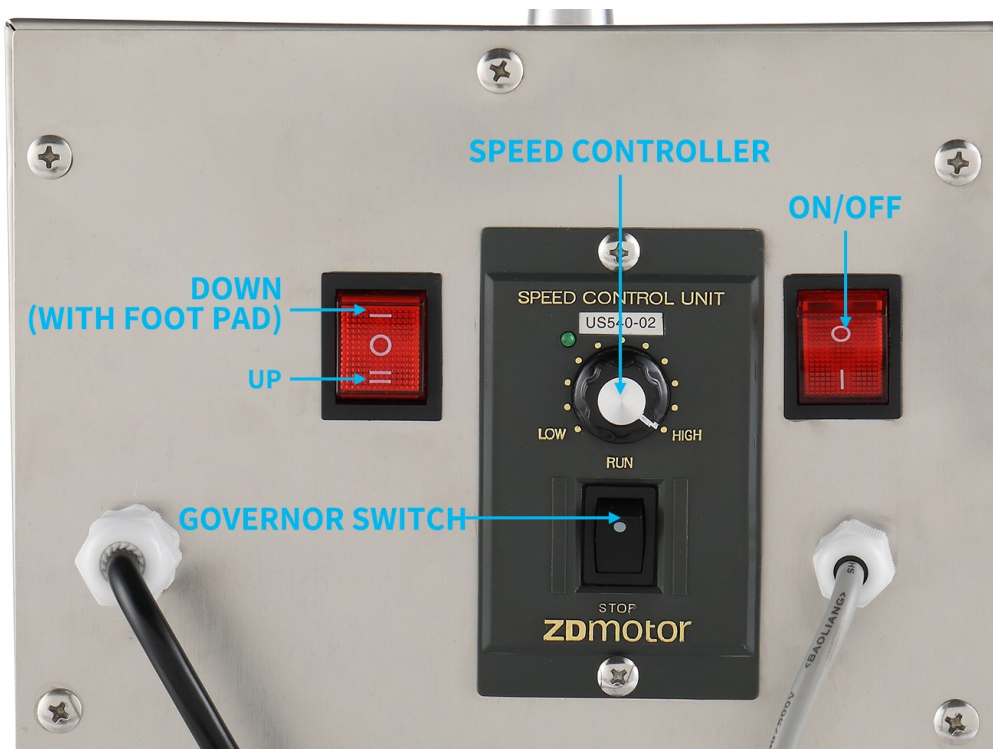
## Important:

When using electrical appliances, basic safety precautions should always be followed as below:

1. Read all instruction before using this appliance.
2. Do not operate this appliance with a damaged cord, plug or malfunctions.
3. To protect against electrical shock, do not immerse foot switch, cord, plug or stuffer in water or other liquids.
4. This appliance is not intended for use by children.
5. Keep fingers and hands clear of all moving parts.
6. Unplug this appliance when not in use or before cleaning.

## Technical specification:

Model	Volume L	Voltage V	Frequency HZ	Power W
ETV10L	10L	110v/220v	50~60HZ	40W
ETV12L	12L	110v/220v	50~60HZ	40W
ETV15L	15L	110v/220v	50~60HZ	40W
ETV20L	20L	110v/220v	50~60HZ	120W
ETV25L	25L	110v/220v	50~60HZ	120W
ETV30L	30L	110v/220v	50~60HZ	120W



### How to use:

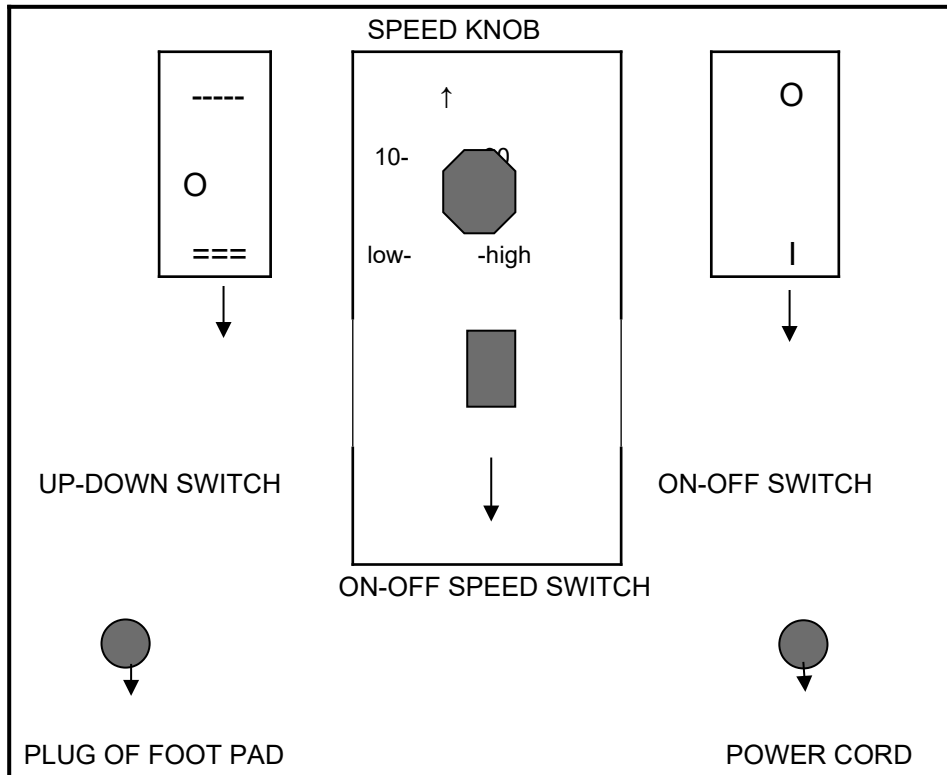
1. Place the foot pad in a dry position.
2. Connect electrical power, and then turn “ O-I “ switch (red) to “I”.
3. Turn SPEED switch (black) to small white spot .
4. Turn OI switch (RED) to “=”. Let the piston move to the top.
5. Tilt the cylinder and place meat in the cylinder.
6. Place the cylinder back on to the frame.
7. Adjust speed switch (knob) on the side of the motorized box to speed **70~80** .
8. Turn OI switch (RED) to “—” and then push the down side of the foot pad, so the piston will start to come down.
9. Use the speed switch (knob) to adjust to appropriate speed 80.
10. While filling the casing, remove your foot from the foot pad and the piston will stop.
11. When the piston moves down on the bottom of the cylinder, the appliance will stop automatically.
12. Repeat above process starting at No. 4 if necessary.

### How to clean:

1. Unplug this machine before cleaning.
2. Remove the cylinder, piston and stuffing tube. Hand wash with soapy

- water and dry thoroughly.
- Clean this appliance with a damp cloth.

**Motorized box diagram:**



**Circuit diagram:**

