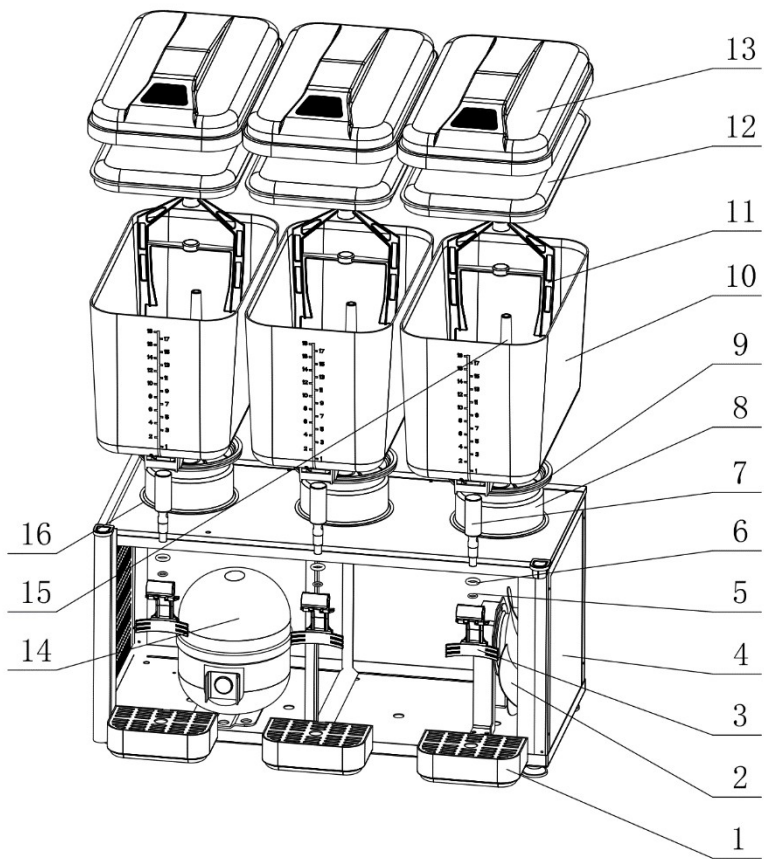


ROVSUN

COLD JUICE DISPENSER USER MANUAL





WARNING
1. This mac

1	Drip tray	9	Bowl gasket
2	Main fan	10	Plastic tank
3	Handle	11	Mixing Blade
4	Condenser	12	Bowl cover lining
5	Steel valve o-ring(small)	13	Bowl cover
6	O-ring	14	Compressor
7	Steel valve	15	Stirrer support
8	Evaporator	16	Evaporator Gasket

Introduction of juice dispenser

- Thanks for choosing and using ROVSUN Brand Juice dispenser machines.
- To ensure that you can use normally and effectively, please pay attention to follows:
1. Before use the machine, please read the instruction first and master the operation methods.
 2. Please use it according to the performance defined on the voltage power and the relative supply power cable.
 3. Please pay attention to the directions for the materials, which will not influence the normal use.
 4. To Protect the customers health, please wash the juice dispenser

Part one: Purposes and Features

The ROVSUN brand cold juice dispenser is manufactured by us based on absorbing the technologies from home and abroad. It can make the various beverages and juice to be delicious liquid cold usually, It is widely used in hotels, restaurants, entertainment venues, schools, fast food chains, etc.

2. This machine should be used only for the purpose for which it was designed. Any other use is inappropriate and, therefore, dangerous. The manufacturer will not be held responsible for any damage caused by improper use.
3. Basic safety rules:
 - a. Do not touch the machine when hands or feet are wet.
 - b. Do not allow the machine to be used by children or untrained persons.
 - c. Do not leave the machine outside.
 - d. Do not pull on the electrical cord when unplugging the machine.

Part two :Main technology parameters

	1 tank	2 tanks	3 tanks
Capacity(L)	18Lx1	18Lx2	18Lx3
Power supply	110V/60Hz		
Power (W)	150	270	325
Cold-beverage Temperature	7~ 12°C (44.6~ 53.6°F)		
Machine size (mm)	450x350x700	460x450x700	710x450x700
Net weight(kg)	22	27	33
Refrigerants	R290		

Part three :Installing Methods and Notices

- (1) TO install it, lease choose the site which flat, fixable and can avoid the direct sunshine in the summer.
- (2) Around the juice dispenser, should have 15cm up room to make the air circulating and make sure the machine can run effectively.
- (3) Before install it please check the supply power whether confirms to the requirements or not. The power supply cable is not too thin .The cross section of cable should be 1.5-2.5mm² , Voltage is between (110- 120V) .To keep the users safety, it must have the reliable grounding. The socket should be mounted on the fixed position with fuse which will keep the machine running safely.

Part four: Using Methods

- 1 .How to use the cold juice dispenser.
 - 1) .To fall the prepared beverage into the tank, the height of the juice to the cover should be more than 70mm, otherwise, the beverage will flow out
 - 2) .The temperature of the beverage filled in should not too high (no exceed 35°C), otherwise it will make a bad refrigeration.

- 3) .When the beverage become to the proper temperature, please make the cup against the push board lightly, the beverage will flow into the cup from the outlet mouth.
- 4) .When the temperature reduces to the certain degree, the refrigerator will stop running because of the influence from the temperature controller. And when temperature increases, it will start work b automatic.
- 5) .It should restart after 5 minutes if it turn off suddenly to stop temporarily, otherwise, it will damage the compressor
- 6) .When work is over, first switch in the “ OFF ” position, then cutoff power supply.

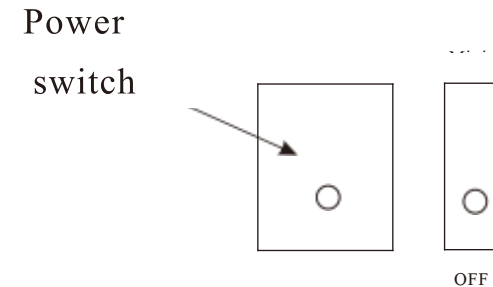


Figure 1

Part five: cleaning

- 1 .In order to make the machine keep clean, health, beautiful, please wash the hoppers every day after work, the cleaning process usually less than 10minutes.
 - 1) .Turn OFF power supply. Draw out all liquid mixture
 - 2) .Open the cover, gently rocking trough the hopper edge and upward to take the hopper down. (part number 10)
 - 3) After machine is cleaned ,please install all the parts back to the machine according to the method of disassembly, pay attention to the gasket installation.(part number 9)