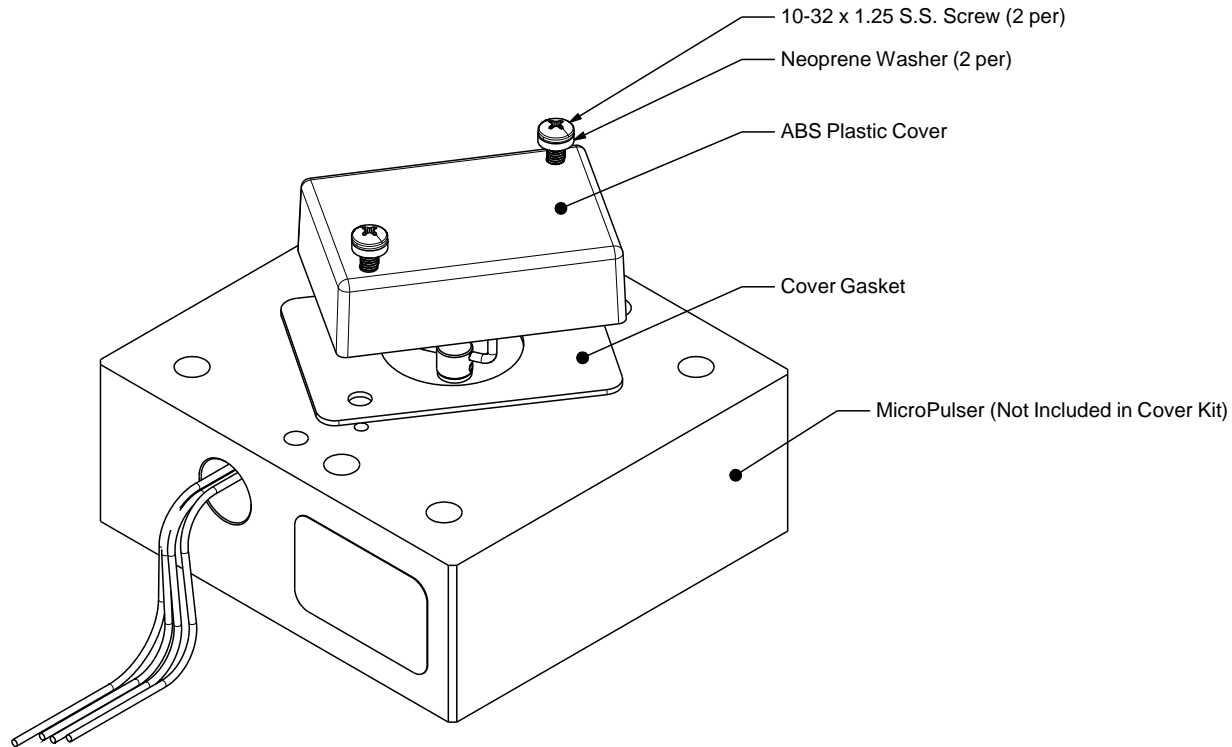



REVISIONS			
REV	DESCRIPTION	DATE	APPROVED



MATERIAL:	THE INFORMATION CONTAINED IN THIS DRAWING IS THE SOLE PROPERTY OF MICROFLEX. ANY REPRODUCTION IN PART OR AS A WHOLE WITHOUT THE WRITTEN PERMISSION OF MICROFLEX IS PROHIBITED. ALL RIGHTS RESERVED.		 <a href="http://www.microflx.com">www.microflx.com</a>	
NOTES:	<b>UNLESS OTHERWISE SPECIFIED:</b> DIMENSIONS ARE IN INCHES TOLERANCES: FRACTIONAL ± 1/64 ANGULAR ± 1/2 TWO PLACE DECIMAL ± .010 THREE PLACE DECIMAL ± .005 RAD OR CHAMF 1/32"	STATUS: <b>RELEASED</b>	<h2>Top Spinner Cover Kit</h2>	
		DRAWN: <b>KC</b>  DATE: <b>10/01/2007</b>		