

**GOURMET LINE**

# TIMBAL

## OWNER'S GUIDE

Do not discard. Contains important information about your product



**TROMEN®**

# SAFETY INFORMATION

**FAILURE TO OBSERVE DANGER NOTICES, WARNINGS AND CAUTIONS CONTAINED IN THIS OWNER'S MANUAL COULD RESULT IN SERIOUS BODILY INJURY, DEATH, OR IN A FIRE OR EXPLOSION CAUSING PROPERTY DAMAGE.**



**Read all safety information contained in this Owner's and Installer's Guide before operating your grill:**



- ⚠ - Do not use it inside the house! This timpani should only be used outdoors. Whether used indoors, gases and fumes will accumulate causing serious bodily injury or death.
- ⚠ - Do not leave babies, children or pets unattended near a hot grill.
- ⚠ - Do not try to move the hot timpani. Wait for it to cool down before moving it.
- ⚠ - Never add lighter fluid or any type of flammable fuel, or charcoal impregnated with it to hot or warm charcoal.
- ⚠ - You must proceed with care when operating your timpani. It will be hot while it is cooking and should never be left unattended while in use.
- ⚠ - Do not remove the ashes until the charcoal is completely burned, it is completely extinguished and the timpani is cold.
- ⚠ - Keep the timpani on a safe or level surface at all times away from combustible materials.
- ⚠ - Do not dispose of hot coals where they could be stepped on or present a fire hazard. Waiting for them to cool down is advisable.
- ⚠ - Using abrasive cleaners on the cooking grates or the drum itself will damage the surface finish.
- ⚠ - The timpani should be thoroughly cleaned regularly.

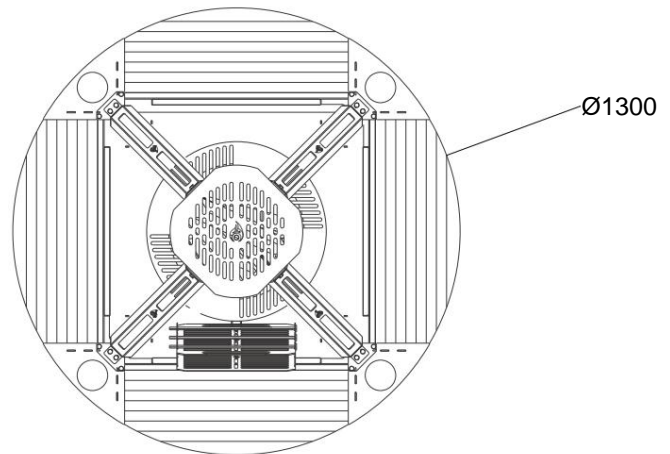
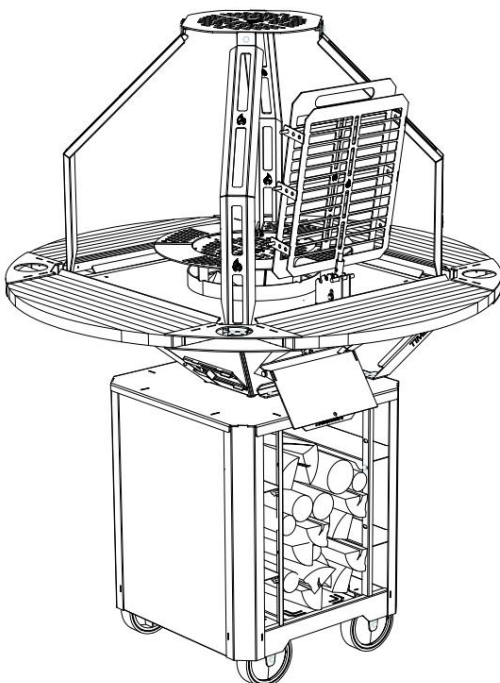
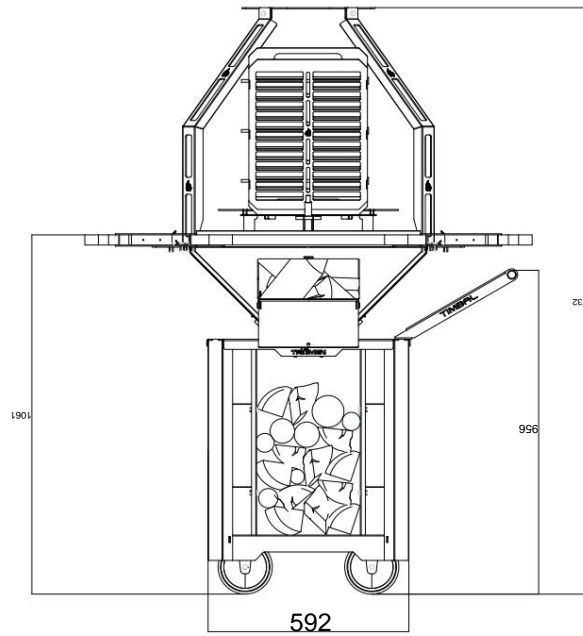
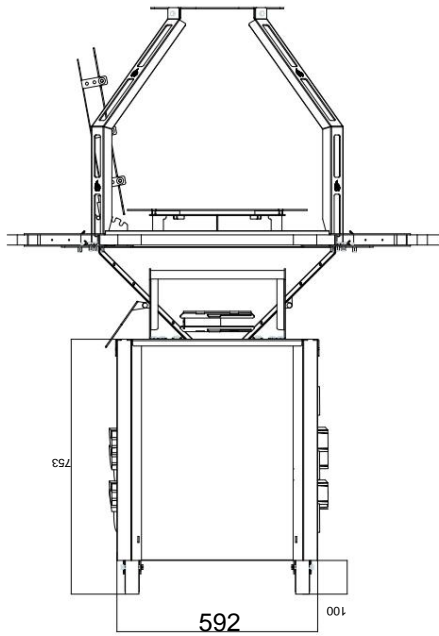
---

## **Safety Tips for Food Handling:**

- ⚠ - Wash your hands well with hot soapy water before starting to prepare any dish and after handling fresh meat, poultry or fish.
- ⚠ - Do not thaw meat, fish or poultry at room temperature or on the kitchen counter. Thaw food in the refrigerator.
- ⚠ - Never put cooked food in the same container as raw food.
- ⚠ - Wash all containers and kitchen utensils that have been in contact with raw meat or fish with water and detergent and rinse them.

# OVERALL DIMENSIONS

When installing and using your **TIMBAL** keep in mind the following dimensions:



\*Dimensions expressed in millimeters.

**NOTE: AN INITIAL FIRE MUST BE CARRIED OUT TO PERFORM A PROPER PROCESS OF CURING IN THE STOVE  
(DO NOT PLACE ANY FOOD WHILE THIS PROCESS IS CARRIED OUT)**

# SETTING UP SEQUENCE

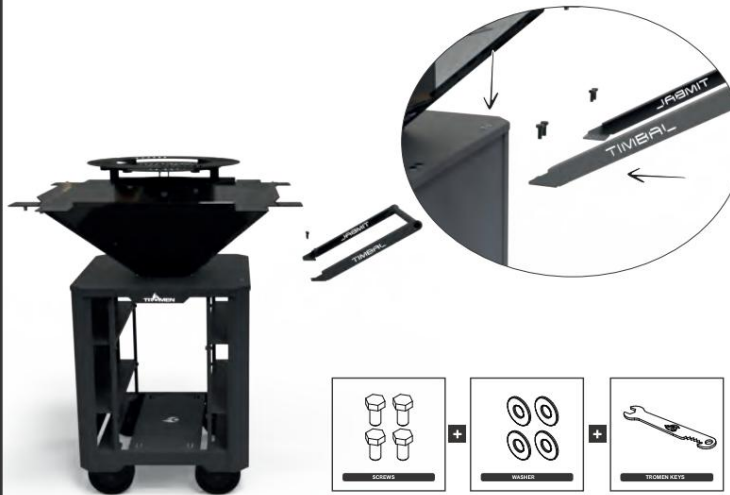
STEP 1: PLACE THE TIMPANI PLATE ON THE STOKER



STEP 2: PLACE THE SHELF IN THE CENTER RING OF THE PLATE, THEN PLACE THE 4 UPPER SHELD SUPPORTS MAKING THEM FIT INTO THE HOLES PROVIDED IN THE SHELF.



STEP 3: FIX THE HANDLE USING THE PROVIDED SCREWS, REMEMBER TO ADJUST THEM WELL TO AVOID PLAY BETWEEN THE PIECES.



STEP 4: FIX THE 4 SIDE SUPPORTS BY MEANS OF THE PROVIDED SCREWS, THEN PERFORM THE SAME PROCEDURE FIXING THE SIDES OF THE CAGE AS WELL AS THE UPPER SUPPORT.



STEP 5: SLIDE THE BOARDS INTO THE SIDE SLOTS FOR USE WITH THE TIMBAN.



STEP 6: IF YOU WANT TO USE THE CROSS, IT MUST BE FIXED ON THE PLATE BY MEANS OF THE PROVIDED SCREWS.



# WARRANTY

**TO VALIDATE THE WARRANTY, YOU MUST REGISTER ELECTRONICALLY THROUGH OUR WEBSITE [www.tromen.com](http://www.tromen.com) WITHIN 10 DAYS AFTER THE PURCHASE OF THE EQUIPMENT. OTHERWISE, IT WILL BE VOID.**

## WARRANTY

TROMEN® hereby guarantees to the BUYER ORIGINAL of this TROMEN® gas grill that it will be free of defects in both materials and manufacturing, as long as it is assembled and operated according to the printed instructions that accompany it, from the date of purchase and according to the following :

**Painted Parts ..... 6 months**

**All other parts: The product is designed to oxidize over time, so the protection (lacquer) that the parts have will be lost when first turned on.**

This limited warranty does not cover paint failures if the equipment is stored outdoors, since said event will prematurely degrade the applied surface finish.

TROMEN® may require proof of date of purchase. **THEREFORE YOU SHOULD KEEP YOUR PURCHASE RECEIPT OR INVOICE AND THE EQUIPMENT REGISTRATION LABEL.**

This guarantee is limited to the replacement or repair of parts that are defective under normal use and service and which, when examined, indicate to the full satisfaction of TROMEN® that they are indeed defective. If TROMEN® confirms the defect and approves the claim, it will replace or repair such part free of charge.

The change of the components or the product will be made through the point of sale where the equipment was purchased, which will coordinate its withdrawal with the client.

In case of requiring field inspections for the products within a period of 60 days from the date of purchase, these will be free of charge for the customer as long as the failure is caused by manufacturing problems; Otherwise all the expenses incurred will be borne by the user.

This limited warranty does not cover failure or operational difficulties due to accident, abuse, misuse, alteration, misuse, vandalism, improper installation, improper maintenance or service, or failure to perform normal maintenance.

and routine. This limited warranty does not cover deterioration or damage due to inclement conditions such as hail, explosion of chemical substances either by direct contact or by the same contained in the atmosphere.

There are no express warranties other than those stated herein and any implied warranties of merchantability and fitness for use are limited in duration to the time covered by this express written Limited Warranty.

TROMEN® is not responsible for any special, indirect, consequential, property damage, personal, etc. or any other incidental damage.

TROMEN® does not authorize any person or company to assume on its behalf any obligation or liability in connection with the sale, installation, use, removal, return or replacement of its equipment, and no such representation shall be binding on TROMEN®.

**REPORT ANY DEFECTS TO:**

**[serviciotecnico@tromen.com](mailto:serviciotecnico@tromen.com)**



**TROMEN®**



The team must perform a curing process for the painted parts.  
When using it for the first time, leave it on for about 15 minutes one time. Then, it will not be necessary to repeat the mentioned action.

**WWW.TROMEN.COM**  
**serviciotecnico@tromen.com**



Do not burn plastics derived from petroleum.



Do not get wet, contact with moisture causes damage to the pieces.



Choose a dry place for storage, protecting it from rain and dust.

### COMPONENTS CHECKLIST

DENOMINATION	AMOUNT	CHECK
TIMBAL BASE	1	✓
TIMBAL STOVE	1	✓
planchet	1	✓
CROSS SUPPORT	1	✓
CROSS	1	✓
CAGE SIDES	4	✓
CAGE SUPPORT SUPPORT	1	✓
BOARD	4	✓
EXTERNAL SIDE SUPPORT	4	✓
BASE SUPPORT	4	✓
WHEEL	4	✓
5/16 SCREW	26	✓
HANDLE GRIP	1	✓
GLOVES (PAIR)	1	✓
TIMBAL HANDLE	1	✓
CHAIN	3	✓
HOOK	6	✓
GRILL	1	✓
GRILL SUPPORT	4	✓
TROMEN KEY	1	✓