

General recommendations



It is possible that when the oven is started for the first time it gives off a smell of burnt paint, this is because the paint cures in use. This process is normal and will not repeat itself in the following starts.

During this final curing process, the surface of the curing should not be touched as this could damage the paint.



Do not burn plastics derived from petroleum.



Do not get wet, in prolonged contact with moisture it may oxidize.



Choose a dry place for storage and shelter from rain and dust. The use of covers does not enable storage outdoors.

WWW.TROMEN.COM

serviciotecnico@tromen.com

COMPONENTS CHECKLIST

DENOMINATION	QUANTITY	CHECK
OVEN BODY	1	
TRAY	1	
GRILL	1	
FIRE BRICKS	30	

DENOMINATION	QUANTITY	CHECK

CHECKED BY:

94-002-008 MNL-HORNO REV: 177

GOURMET LINE

TRH WOOD FIRE OVEN OWNERS GUIDE

Do not discard. Contains important information about your product.



The installation and smoke outlet are essential for the proper functioning of the oven.

TROMEN[®]

WELCOME TO THE GOURMET LINE WORLD

You have acquired a product of the highest quality and design.

No matter the experience of the chef, with the TROMEN® ovens, everyone can transform their meals into gourmet dishes.

The oven joins the segment of grills that do not require prior installation and are suitable for any space in the house. Unlike current ovens, its distinctive and innovative design and its modern style prioritize the space where it is located.

The proper functioning of your wood oven depends largely on a good extraction of combustion fumes.

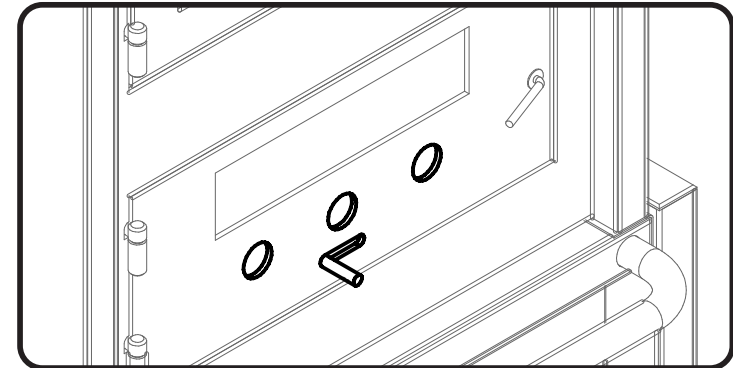
It will also prevent the escape of smoke into the environment or in unwanted sections of the installation duct.

Carefully follow the instructions in this manual for correct installation. Page 12,13 and 14



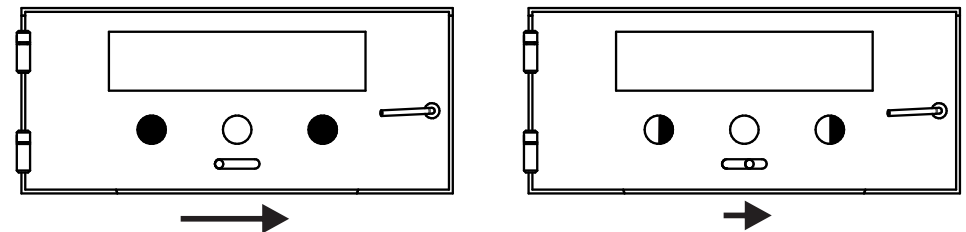
Adjustable air control

Your TROMEN® oven has a variable air intake control, which allows cooking to be adjusted according to the needs and taste of the cook.



Primary Air:

The primary air is the one that is introduced at the base of the flame to contribute especially to the ignition operation of the oven.




By moving the lever, you will cause a larger amount to enter of air to the firebox of your oven. This way you can achieve faster ignition. If you want to keep the

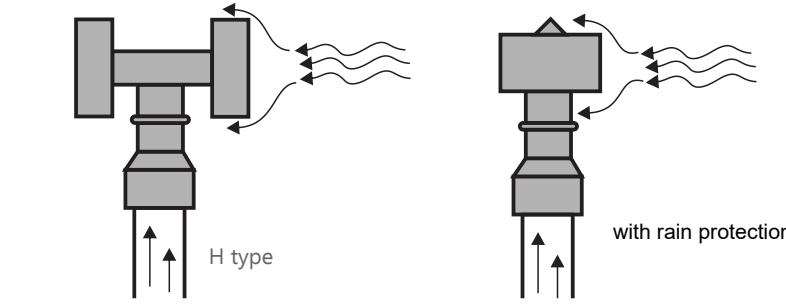



Warning! May be HOT

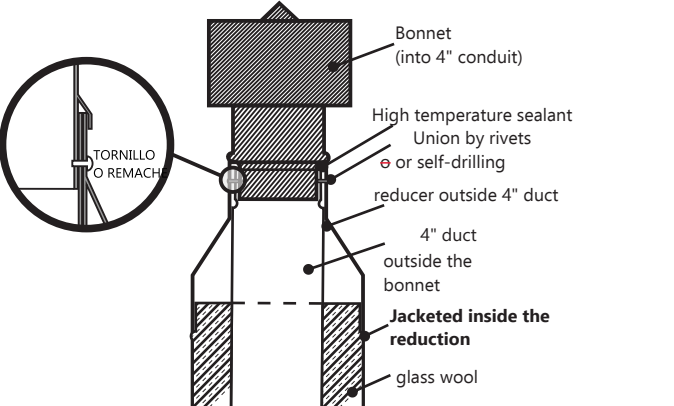
Be careful the front and the doors of the unit are hot when the oven is going.

When installing Tromen® bonnets and accessory spouts, keep the following recommendations in mind


 The installation of the gas outlet ducts must end with an "ARO" cap or an "H" cap.
 The "H" type hats are the most recommended for areas with a lot of wind




 "Common" bonnets do not stop the winds strong sides, they do not let out the combustion gases freely and therefore the heater or oven do not produce a good combustion and can smoke the environment



⚠ The bonnet, reducer and upper end of the conduit must be bolted together. the reduction plays freely with respect to the jacket to allow thermal expansion. This connection must not be screwed.

Labels in diagram:
 - Bonnet (into 4" conduit)
 - High temperature sealant
 - Union by rivets or self-drilling
 - reducer outside 4" duct
 - 4" duct outside the bonnet
 - Jacketed inside the reduction
 - glass wool
 - TORNILLO O REMACH (screw/bolt)

TO VALIDATE THE WARRANTY, YOU MUST REGISTER ELECTRONICALLY THROUGH OUR WEBSITE WWW.TROMEN.COM WITHIN 10 DAYS AFTER THE PURCHASE OF THE EQUIPMENT, OTHERWISE, IT WILL BE VOID.

WARRANTY

TROMEN® hereby warrants to the ORIGINAL PURCHASER of this ANGUS CHICA 2019 BASE that it will be free from defects in both materials and manufacturing, as long as it is assembled and operated in accordance with the accompanying printed instructions, from its date of purchase and according to the following:

- Doors 1 year
- Closing mechanism and handle 1 year
- Air Inlet mechanism 1 year
- All the rest of parts. 6 months

This limited warranty does not cover paint failure if the equipment is stored outdoors, as such an event will prematurely degrade the applied surface finish. TROMEN® may require proof of date of purchase. THEREFORE, YOU SHOULD KEEP YOUR PURCHASE RECEIPT OR INVOICE AND THE EQUIPMENT REGISTRATION LABEL.

This Warranty is limited to the replacement of parts that are defective under normal use and service and which, when examined, indicate, to TROMEN® full satisfaction, that they are indeed defective. If TROMEN® confirms the defect and approves the claim, it will replace the part free of charge.

The change of the components, or the product will be made through the point of sale, where the equipment was purchased, which will coordinate its withdrawal with the client.

In the event that field inspections are required for the products within a period of 60 days from the date of purchase, these are not they will have a cost for the client whenever the failure is caused by manufacturing problems; Otherwise, all expenses incurred will be borne by the user.

This limited warranty does not cover failure or operational difficulties due to accident, abuse, misuse, alteration, misuse, vandalism, improper installation, improper maintenance or service, or failure to perform normal and routine maintenance.

This Limited Warranty does not cover deterioration or damage caused by inclement-type conditions such as hail, hurricanes, earthquakes or floods nor discoloration due to exposure to chemical substances either by direct contact or by the same contained in the atmosphere.

There are no express warranties other than those stated herein, and any implied warranties of merchantability and fitness for use are limited in duration to the coverage time of this express written Limited Warranty.

TROMEN® is not responsible for any special, indirect, consequential, property damage, personal, third party or any other incidental damage.

TROMEN® does not authorize any person or company to assume on its behalf any obligation or liability in connection with the sale, installation, use, removal, return or replacement of its equipment, and no such representation shall be binding on TROMEN®.

REPORT ANY DEFECTS TO:















SERVICIO TECNICO@TROMEN.COM

The following label identifies your new product, remember to keep it for future reference about it.

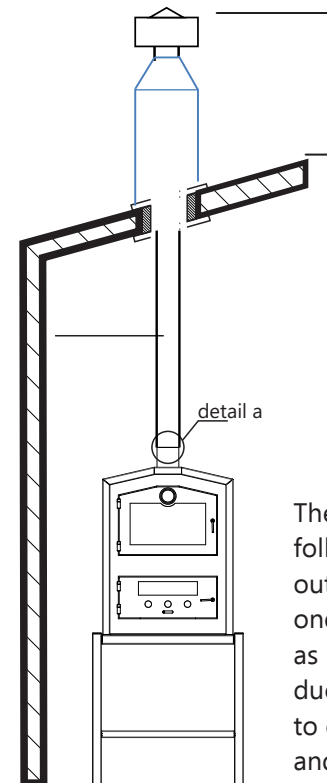
Place the product label here

SAFETY AND USE INFORMATION

FAILURE TO OBSERVE THE DANGERS, WARNINGS AND CAUTIONS CONTAINED IN THIS OWNER'S MANUAL COULD RESULT IN BODILY INJURY OR DEATH, OR A FIRE OR EXPLOSION CAUSING PROPERTY DAMAGE.

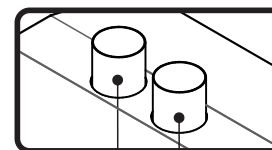
-  Safety symbols will alert you to important information
-  Read all safety information in this Owner's Guide before operating the oven.
-  Do not wet! In contact with moisture, the equipment may rust.
-  Do not use carbon! This oven should only be used with wood. If it is used with coal, its useful life will be reduced, damaging it irreversibly.
-  Always use the oven in well-ventilated places. If used indoors, fumes will accumulate which will cause serious bodily injury or death.
-  Do not leave babies, children, or pets unattended near a hot oven.
-  Do not try to move the hot oven. Wait for the oven to cool down before moving it.
-  Never add lighter fluid or firewood soaked with lighter fluid to hot or warm wood.
-  In case of using lighter fluid, after use, cap the bottle of lighter fluid and place it at a safe distance from the oven.
-  You must proceed with care when operating your oven. It will be hot while it is cooking and should never be left unattended while in use.
-  Do not remove the ashes until the coals are completely burned and out and the oven is cool.
-  Keep the oven on a safe, level surface at all times, away from combustible materials.
-  Do not dispose of hot coals where they could be stepped on or present a fire hazard.
-  Do not dispose of ashes or embers before they are completely extinguished.

When installing **Tromen® TRH ovens**, consider the following recommendations



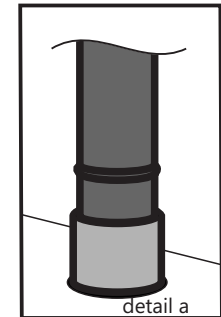
Top hat to the 4 winds at least 60 cm above the top level of the ceiling

The cooking vapor outlet can follow the path of the smoke outlet or end in one meter above the equipment, as needed. Leaving it without a duct can cause vapors and grease to condense on the equipment and cause it to rust prematurely.

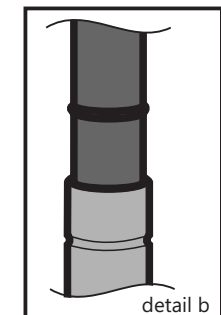


Front: 4" tube, combustion exit

Rear: 4" tube for cooking vapour exit



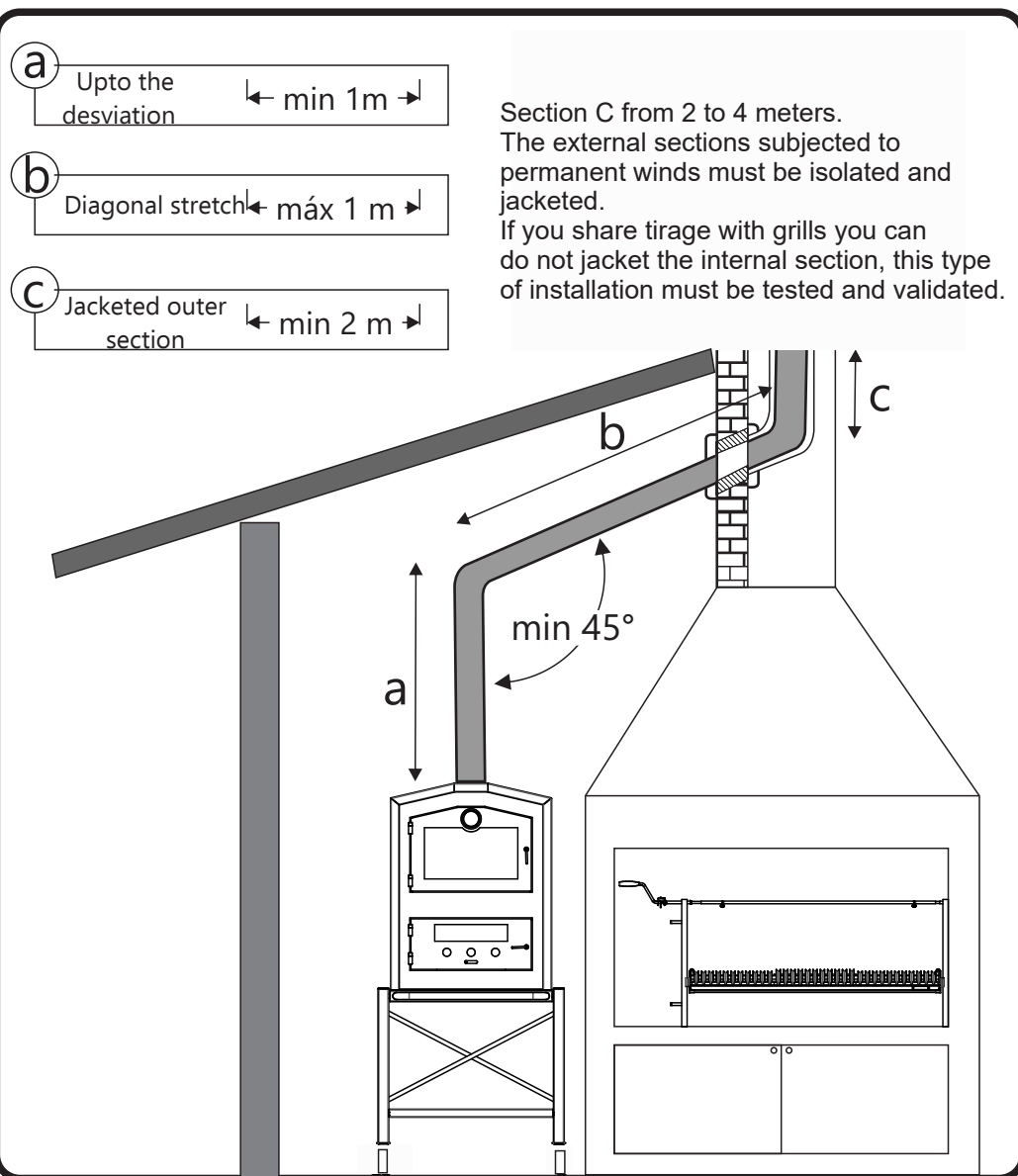
The union between the accessory spout 4" and the combustion pipe; and between the accessory pipe 4" and the steam outlet pipe (depending on the model) of the oven. It is done inside the oven pipe.



The joint between the accessory pipes. It is done by placing the upper one inside the lower one. This prevents resin leaks.

INSTALATION

WHEN INSTALLING THE TROMEN® TRH RANGE OF OVENS IN EXISTING RACKS OR PRE-CAST NICHES, TAKE INTO ACCOUNT THE FOLLOWING DIMENSIONS

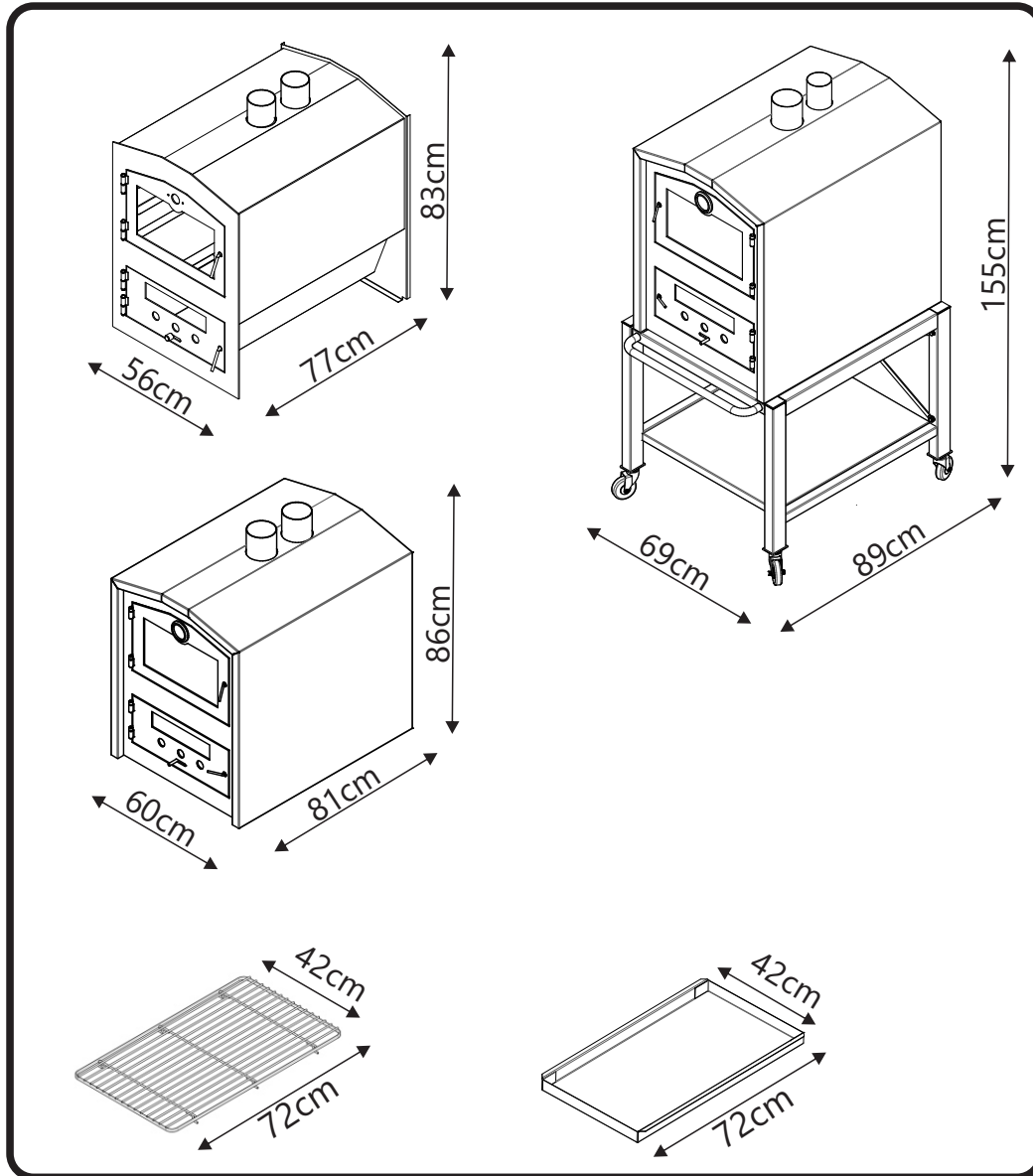


- ⚠ Do not proceed to store the oven until the ashes and embers are completely extinguished.
- ⚠ Using abrasive cleaners on the cooking grates or the oven itself will damage the finish of the surfaces.
- ⚠ The oven should be thoroughly cleaned regularly.
- ⚠ You should never open the door while the fire is high or very hot. Wait for the flame to go down to recharge it.
- ⚠ Open the door and spread the coals to separate the ashes from them, and on these live coals, place the new logs.
- ⚠ During the first minutes adjust the air intake to the maximum, until the flames of the logs diminish considerably and are capable of maintaining a stable and constant combustion. Then adjust the air inlet to the desired position.
- ⚠ To achieve good performance from the equipment, small successive loads of firewood should be made and the amount of heat regulated with the air inlet regulator. in the desired position.
- ⚠ After a long period or prolonged burning, revive the fire by stirring the embers, separate the ashes and add some slats.
- ⚠ The combustion of firewood produces acid that, in contact with humidity, forms creosote, which accumulates in the duct, thus preventing proper operation. To clean said duct, we recommend the application of our chimney sweep powder, which performs self-cleaning while the oven is fully operational. For correct cleaning, apply one dose every twenty days of use.
- ⚠ Collect the loose ashes with the help of a shovel and a rake, place them in a metal container if they are still hot to cool, if possible with a portion of sand at the bottom and place them in a safe place.
- ⚠ When the oven is on it raises high temperatures, try not to touch the oven with your bare hand; wear gloves or some type of protection.

Notes:

CHARACTERISTICS

When installing Tromen® TRH ovens, consider the following dimensions



TROMEN®

