

GOURMET LINE

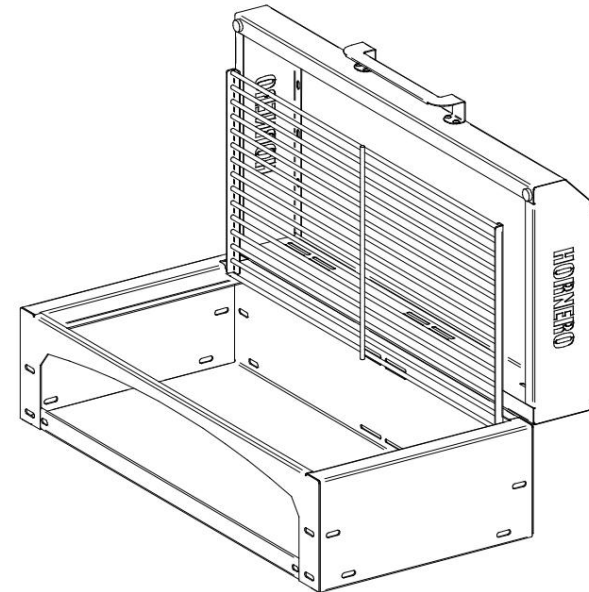
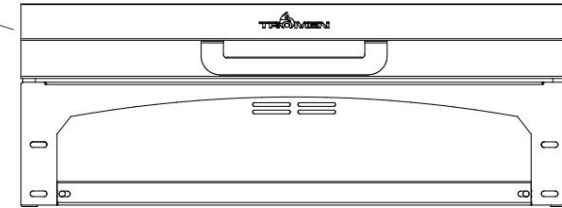
OVEN GRILL OWNER'S GUIDE

Do not discard. Contains important information about your product



TROMEN[®]

⚠ ATTENTION



⚠ Keep the lid open when lighting the fire.

The area of the lid is prone to premature deterioration of the paint by the action of the flame in direct contact with the coating.

TO VALIDATE THE WARRANTY, YOU MUST REGISTER ELECTRONICALLY THROUGH OUR WEBSITE WWW.TROMEN.COM WITHIN 10 DAYS AFTER THE PURCHASE OF THE EQUIPMENT, OTHERWISE, IT WILL BE VOID.

WARRANTY

TROMEN® hereby guarantees to the BUYER ORIGINAL of this TROMEN® charcoal grill that it will be free of defects in both materials and manufacturing, as long as it is assembled and operated according to the printed instructions that accompany it, from the date of purchase and according to the following :

Enamelled cooking grids. 1 year

Paint 180 days

All other parts. 180 days

This limited warranty does not cover paint failure if the equipment is stored outdoors, as such event will prematurely degrade the applied surface finish.

TROMEN® may require proof of date of purchase. THEREFORE, YOU SHOULD KEEP YOUR PURCHASE RECEIPT OR INVOICE AND THE EQUIPMENT REGISTRATION LABEL.

This Warranty is limited to the replacement of parts that are defective under normal use and service and which, when examined, indicate, to TROMEN®'s full satisfaction, that they are indeed defective. If TROMEN® confirms the defect and approves the claim, it will replace the part free of charge.

The change of the components, or the product will be made through the point of sale, where the equipment was purchased, which will coordinate its withdrawal with the client.

In the event that field inspections are required for the products within a period of 60 days from the date of purchase, these are not

they will have a cost for the client whenever the failure is caused by manufacturing problems; Otherwise, all expenses incurred will be borne by the user.

This limited warranty does not cover failure or operational difficulties due to accident, abuse, misuse, alteration, misuse, vandalism, improper installation, improper maintenance or service, or failure to perform normal and routine maintenance. This Limited Warranty does not cover deterioration or damage due to inclement conditions such as hail, hurricanes, earthquakes or flooding, nor does it cover discoloration due to exposure to chemicals either by direct contact or by chemicals contained in the atmosphere.

Due to the intensity of fire to which the stoker and surfaces close to it will be exposed, the warranty on the painting in the sectors indicated in the figure on page 2 of this manual is excluded.-

There are no express warranties other than those stated herein, and any implied warranties of merchantability and fitness for use are limited in duration to the coverage time of this express written Limited Warranty.

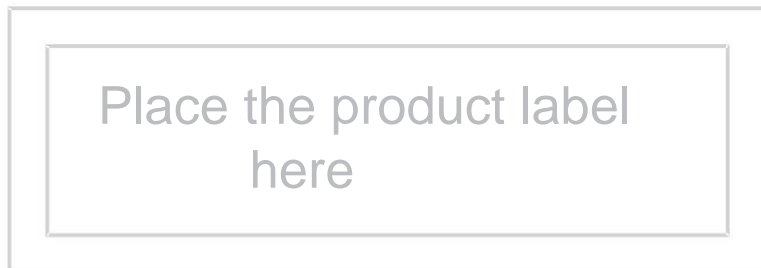
TROMEN® is not responsible for any special, indirect, consequential, property damage, personal, third party or any other incidental damage.

TROMEN® does not authorize any person or company to assume on its behalf any obligation or liability in connection with the sale, installation, use, removal, return or replacement of its equipment, and no such representation shall be binding on TROMEN®

REPORT ANY DEFECTS TO:


SERVICIOTECNICO@TROMEN.COM

The following label identifies your new product, remember to keep it for future reference about it.



IGNORING DANGER NOTICES, WARNINGS AND CAUTIONS CONTAINED IN THIS MANUAL OF THE OWNER MAY CAUSE BODILY INJURY SERIOUS OR DEATH, FIRE OR FIRE THAT CAUSES DAMAGE



SAFETY SYMBOLS () will alert you to important information



Please read all safety information in this Owner's Guide before lighting your grill.



Do not use it inside the house! This grill is for outdoor use only. If it is used inside the house, it will accumulate fumes and gases that can cause serious poisoning or death, fire or damage to the house.



Never leave babies, children, or pets unattended near a hot or burning grill.



Do not try to move the hot grill. Wait for the grill to cool down before moving it.



Never add lighter fluid or any type of flammable fuel, or charcoal soaked with it, to hot or warm charcoal.



You must proceed with care when operating your grill. It will be hot while it is cooking and should never be left unattended while in use.



Do not remove the ashes until the charcoal is fully burned and completely extinguished and the grill is cool.

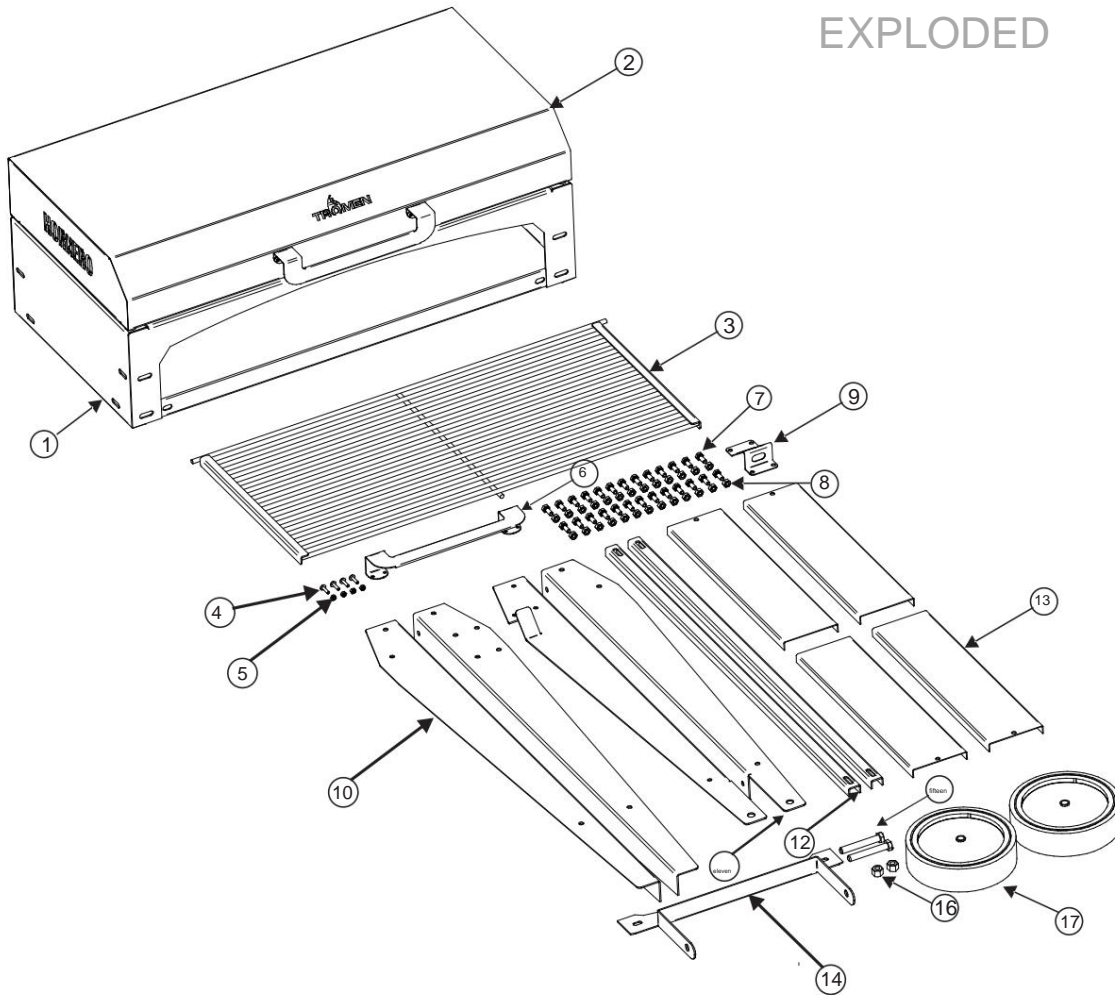


Keep grill on a safe, level surface at all times, away from combustible materials.



Do not dispose of hot coals where they could be stepped on or present a fire hazard. Waiting for them to cool down is advisable.

Your new TROMEN® HORNER® grill is made up of the following components.



EXPLODED

1

N°	Denominacion	Cantidad
1	ENCLOSED COOKING BOX	1
2	TOP	1
3	GRILL MODULE	1
4	M4 SCREW	4
5	NUT M4	4
6	HANDLE	1
7	M6 SCREW	26
8	NUT M6	26
9	PLUNGER	1
10	LEFT LEGS	2
11	RIGHT LEGS	2
12	LOWER REINFORCEMENT	
13	LOWER SUPPORT	2 4
14	WHEEL SUPPORT	1
15	3/8" HEX SCREW	2
16	NUT 3/8"	2
17	WHEEL	2

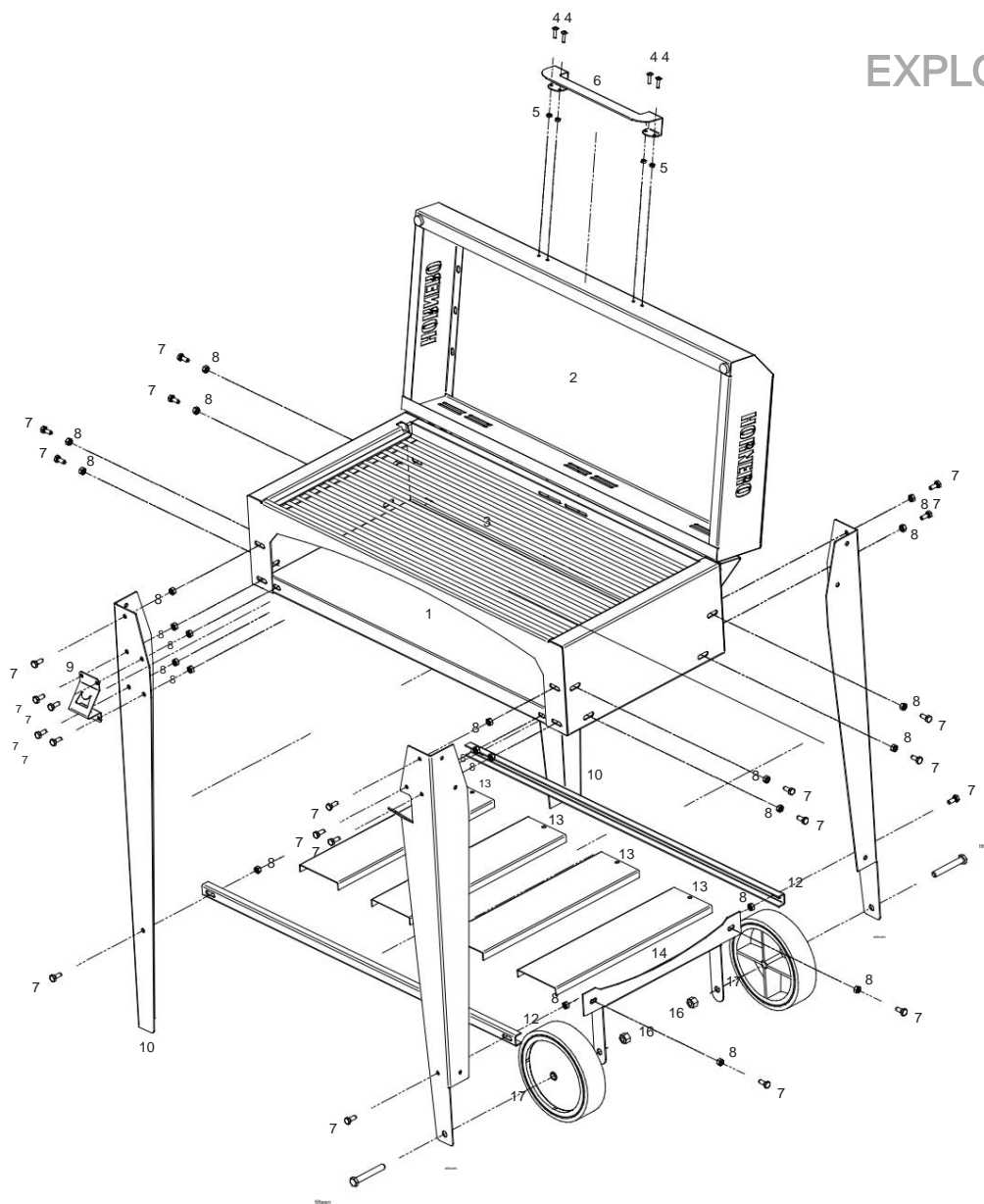
ADJUSTMENT KEYS



OVEN GRILL

OVEN GRILL

Your new TROMEN® HORNER® is made up of the following components.



EXPLODED

Follow the instructions below to assemble your TROMEN® HORNERO grill

To facilitate assembly, place the grill body with the cover downwards on a surface with a height equal to or greater than the LEFT LEGS (10). To begin assembling the base.

Fig 1: Present the right legs (11) with the M6 screws (7) and the M6 nuts (8)
The right leg that is located in front of the grill, is the one with the hook.
Both legs are located so that their cutouts are located on the right side.

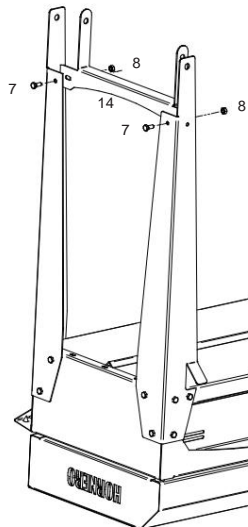
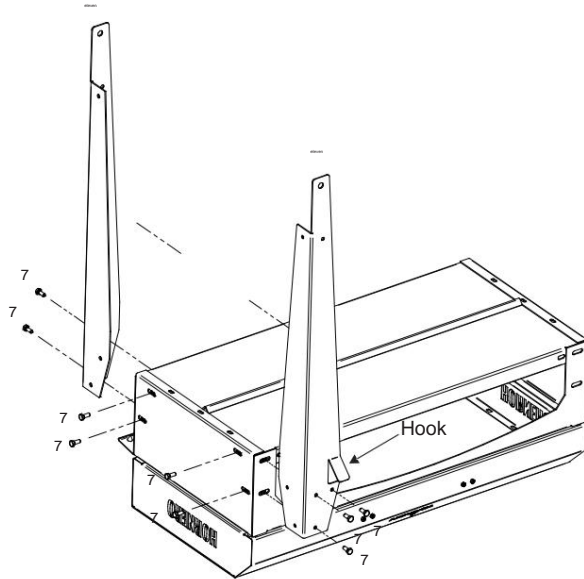


Fig 2 : Link the right legs (11) with the wheel support (14) using the M6 screws (7) and M6 nuts (8) .

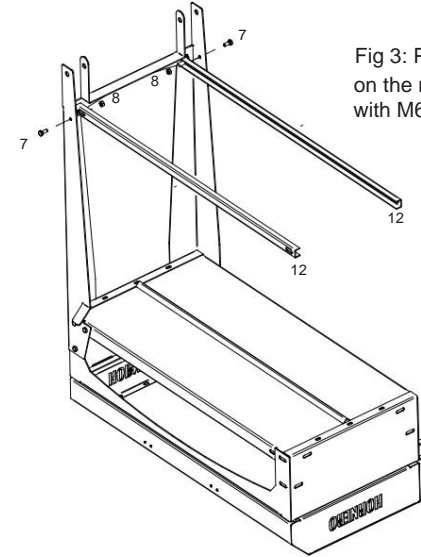
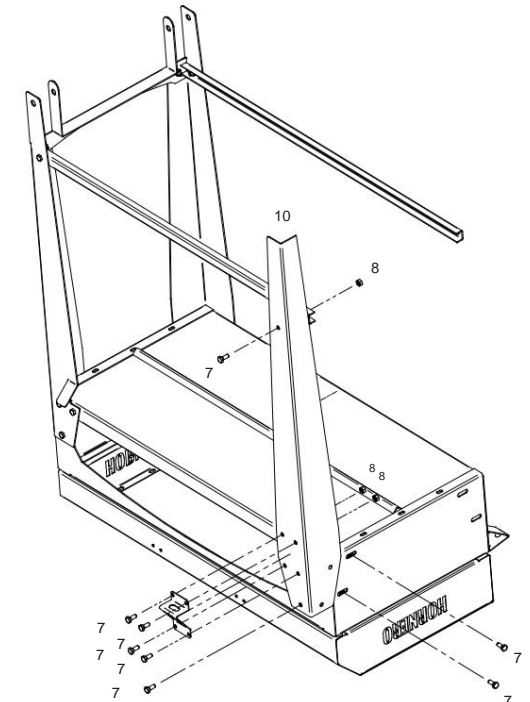


Fig 3: Present the lower reinforcements at one end (12) on the right legs (11). attach with M6 screws (7) and M6 nuts (8).

Fig 4 : Present the left leg 10 (with 5 holes at one end).
On the leg present the bottle opener (9).
connect with M6 screws (7) and M6 nuts (8) both in the lower part, with the reinforcement, and in the upper part with the cooking box.



Follow the instructions below to assemble your TROMEN® HORNERO grill

Fig 5 :Locate the lower supports (13) between the lower reinforcements before assembling and screwing the leg (10).

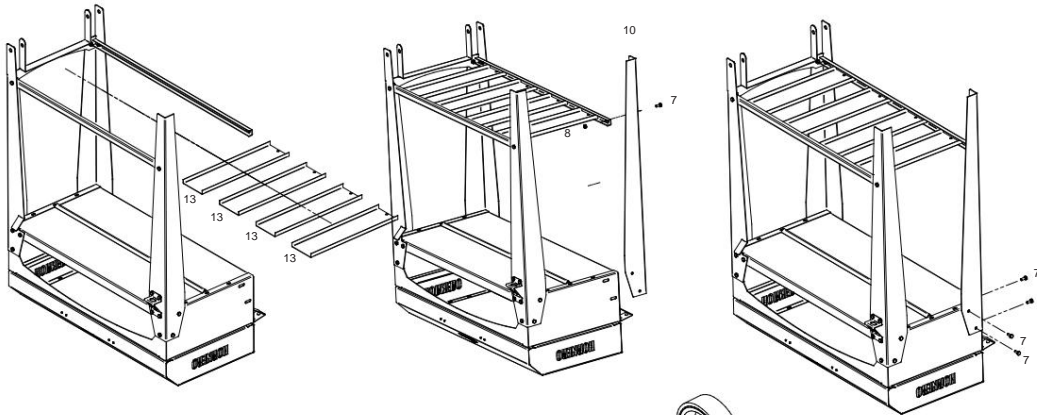
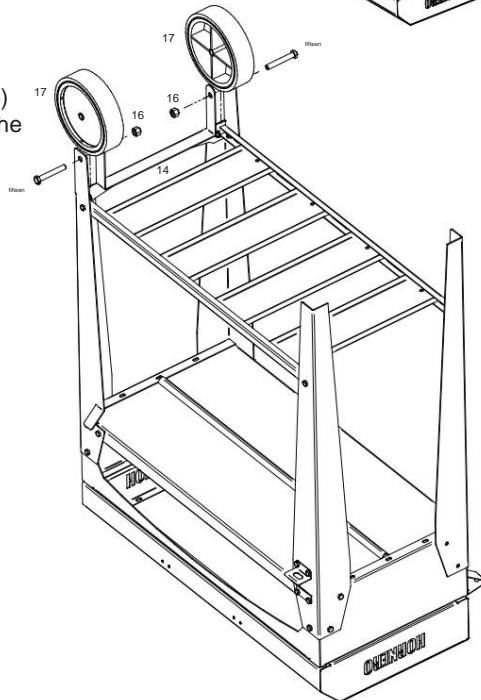


Fig 6 : Present the wheels (17) between the legs(10) and the wheel support(14). Fix the wheels using the 3/8" screws (15) and the nuts (16)



Once the legs and reinforcements are assembled, review and definitively tighten all the screws.

Fig 7: Assemble the handle (6) on the cover (2) using the screws (4) and the nuts (5)

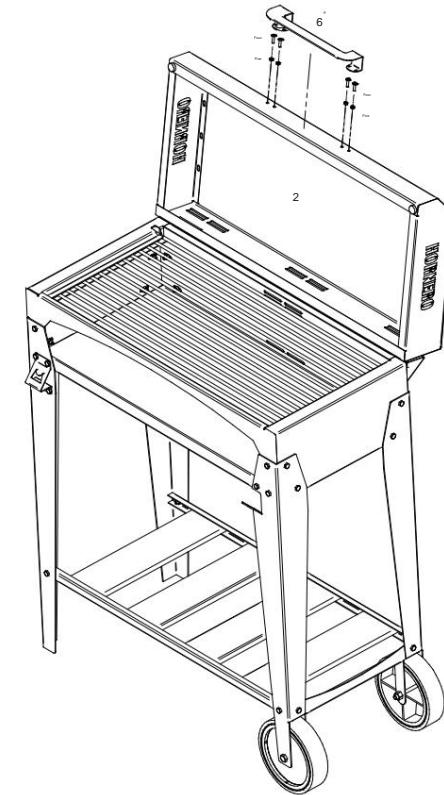


Fig 8 : Slide the grill from left to right until it is inserted through the hole on the right side.

