

GOURMET LINE

FEDERAL GRILL

OWNER'S GUIDE

Do not discard, contains important information about your product

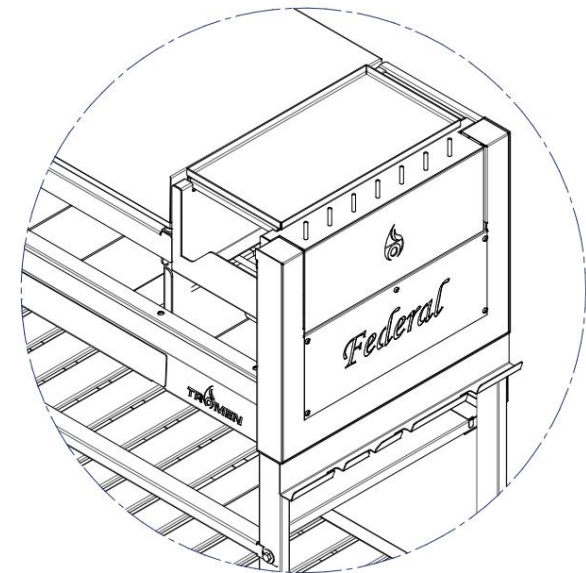


You have purchased a product of the highest quality and design.

No matter the experience of the griller, with TROMEN® grills everyone can transform roasting into a gourmet dish.

The grill joins the segment of grills that do not require prior installation and are suitable for any space in the house. Unlike current grills, its distinctive and innovative design and its modern style hierarchize the space where it is located.

NOTE: the area shown in the following figure is the most exposed to fire and embers; in this sector the paint will deteriorate in the first uses.



PARA VALIDAR LA GARANTÍA, DEBERÁ REGISTRARSE ELECTRÓNICAMENTE A TRAVÉS DE NUESTRA PÁGINA WEB WWW.TROMEN.COM DENTRO DE LOS 10 DÍAS POSTERIORES A LA COMPRA DEL EQUIPO, DE NO SER ASÍ, LA MISMA CARECERÁ DE VALIDEZ

WARRANTY

TROMEN® hereby guarantees to the BUYER ORIGINAL of this TROMEN® charcoal grill that it will be free of defects in both materials and manufacturing, as long as it is assembled and operated according to the printed instructions that accompany it, from the date of purchase and according to the following:

Enamelled cooking grids. 1 year
 Paint. 180 days
 All other parts. 1 year

This limited warranty does not cover paint failure if the equipment is stored outdoors, as such event will prematurely degrade the applied surface finish.

TROMEN® may require proof of date of purchase. THEREFORE, YOU SHOULD KEEP YOUR PURCHASE RECEIPT OR INVOICE AND THE EQUIPMENT REGISTRATION LABEL.

This Warranty is limited to the replacement of parts that are defective under normal use and service and which, when examined, indicate, to TROMEN®'s full satisfaction, that they are indeed defective. If TROMEN® confirms the defect and approves the claim, it will replace the part free of charge.

The change of the components, or the product will be made through the point of sale, where the equipment was purchased, which will coordinate its withdrawal with the client.

In the event of requiring field inspections for the products within a period of 60 days from the date of purchase, these will be free of charge for the customer as long as the failure is caused by manufacturing problems; Otherwise, all expenses incurred will be borne by the user.

This limited warranty does not cover failure or operational difficulties due to accident, abuse, misuse, alteration, misuse, vandalism, improper installation, improper maintenance or service, or failure to perform normal and routine maintenance. This Limited Warranty does not cover deterioration or damage due to conditions caused by climatic phenomena or agents, such as hail, hurricanes, earthquakes or flooding, nor does it cover discoloration due to exposure to chemical substances, either by direct contact or by those contained in the atmosphere.

There are no express warranties other than those stated herein, and any implied warranties of merchantability and fitness for use are limited in duration to the coverage time of this express written Limited Warranty.

TROMEN® is not responsible for any special, indirect, consequential, property damage, personal, third party or any other incidental damage.

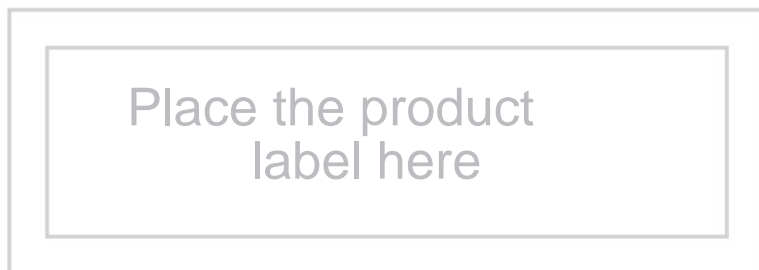
TROMEN® does not authorize any person or company to assume on its behalf any obligation or liability in connection with the sale, installation, use, removal, return or replacement of its equipment, and no such representation shall be binding on

TROMEN®

REPORT ANY DEFECTS TO:

SERVICIOTECNICO@TROMEN.COM

The following label identifies your new product, remember to keep it for future reference about it.



DISREGARDING THE NOTICES OF DANGERS, WARNINGS AND PRECAUTIONS CONTAINED IN THIS OWNER'S MANUAL COULD RESULT IN SERIOUS BODILY INJURY OR DEATH, OR IN A FIRE OR EXPLOSION CAUSING PROPERTY DAMAGE



SAFETY SYMBOLS (



) will alert you to important information



Please read all safety information in this Owner's Guide before lighting your grill.



Do not use it inside the house! This grill is for outdoor use only. If it is used inside the house, it will accumulate fumes and gases that can cause serious poisoning or death, fire or damage to the house.



Never leave babies, children, or pets unattended near a hot or burning grill.



Do not light a fire in the grill area. Do it in the stove.



Do not try to move the hot grill. Wait for the grill to cool down before moving it.



Never add lighter fluid or any type of flammable fuel, or charcoal soaked with it, to hot or warm charcoal.



You must proceed with care when operating your grill. It will be hot while it is cooking and should never be left unattended while in use.



Do not remove the ashes until the charcoal is fully burned and completely extinguished and the grill is cool.



Keep grill on a safe, level surface at all times, away from combustible materials.



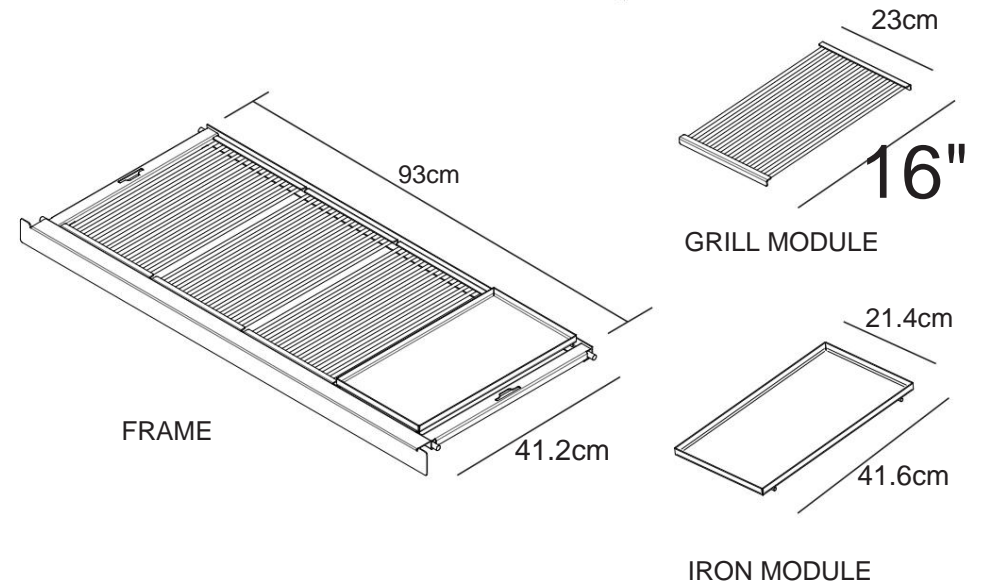
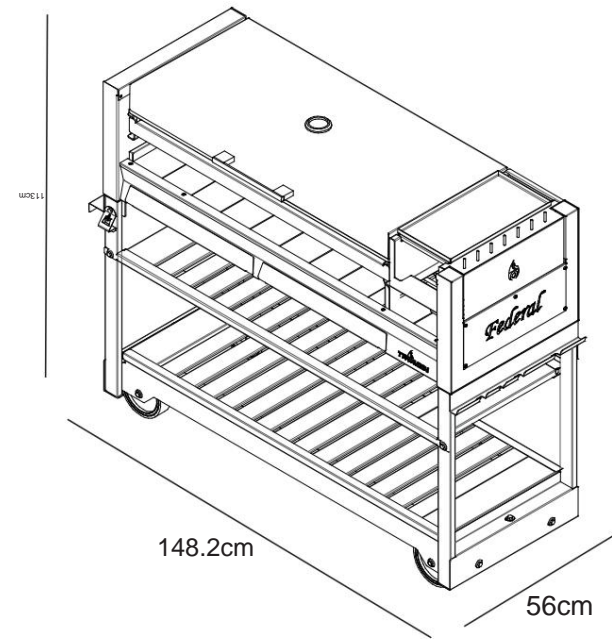
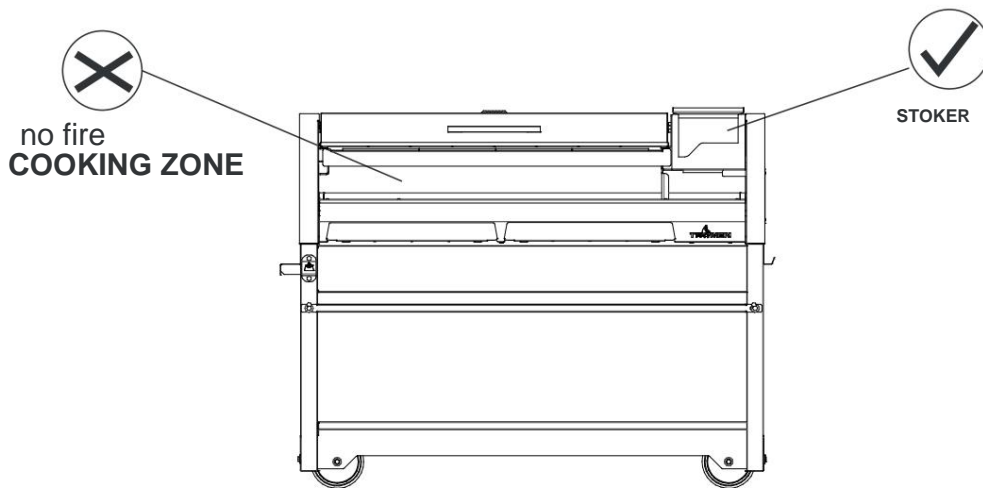
Do not dispose of hot coals where they could be stepped on or present a fire hazard. Waiting for them to cool down is advisable.

When installing and using your TROMEN® FEDERAL grill, take into account the following dimensions.

- ⚠ Do not proceed to store the grill until the ashes and coals are completely extinguished.
- ⚠ Using abrasive cleaners on the cooking grates or the grill itself will damage the finish of the surfaces.
- ⚠ The grill will need to be thoroughly cleaned on a regular basis.

⚠ SAFETY TIPS FOR HANDLING FOOD

- ⚠ Wash your hands well with hot, soapy water before starting to prepare any dish and after handling fresh meat, poultry, or fish.
- ⚠ Do not thaw meat, fish, or poultry at room temperature or on the kitchen counter. Thaw food in the refrigerator.
- ⚠ Never put cooked food in the same container as raw food.
- ⚠ Wash all containers and kitchen utensils that have been in contact with raw meat or fish with soap and water and rinse them.



Your new TROMEN® FEDERAL grill is made up of the following components.

N°	Denominacion	Cantidad
1	CUERPO PARRILLA	1
2	LATERAL COLGADOR	1
3	LATERAL AGARRE	1
4	BASE MOVIL	1
5	REIN	1
6	MANIJA BASTIDOR	2
7	SIDE SHELF	2
8	SHELF TABLE	4
9	WASHER Ø24	1
10	5/16 SCREW	3
11	PLUNGER	1
12	SHELF OF WOOD	2
13	CAJÓN CALENTADOR	2
14	BASTIDOR	1
15	GRILL MODULE	4
16	ENLOZED STOKER	1
17	WOOD PLANK	1
18	SLAPPED PLATE	1
19	MONKEY FRAME	2
20	LADRILLO REFRACTARIO	22

Follow the instructions below to assemble your TROMEN® FEDERAL grill.

At the end of placing the two monoframes, it protects the sides of the grill from damage due to burns, grouping the fire towards the center.

- Place them in the highlighted area

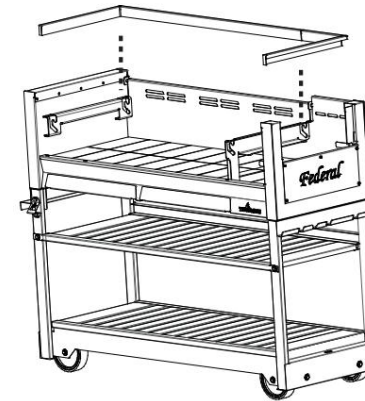


Fig 1 : Place the sides on the base and fix the corresponding , with their washer screws to the riveted nuts located at the ends of the base.

i The placement of the sides does not have a marked sense since both ends of the base are the same.

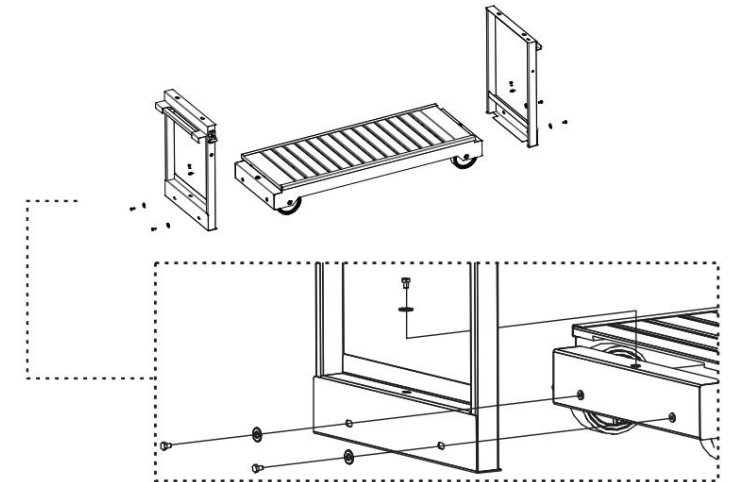


Fig 2 : Before assembling the shelf sides, manually fold in the stop tab.

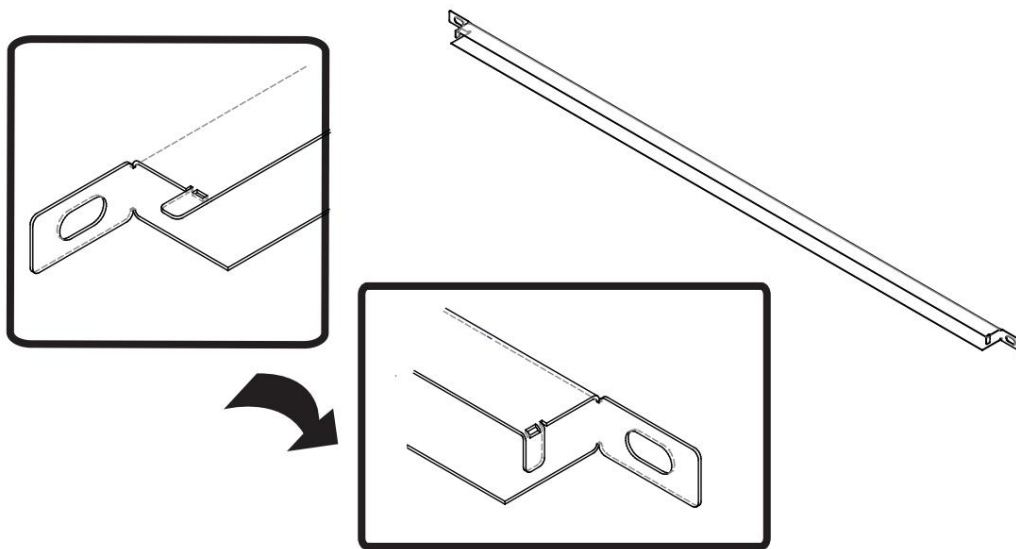
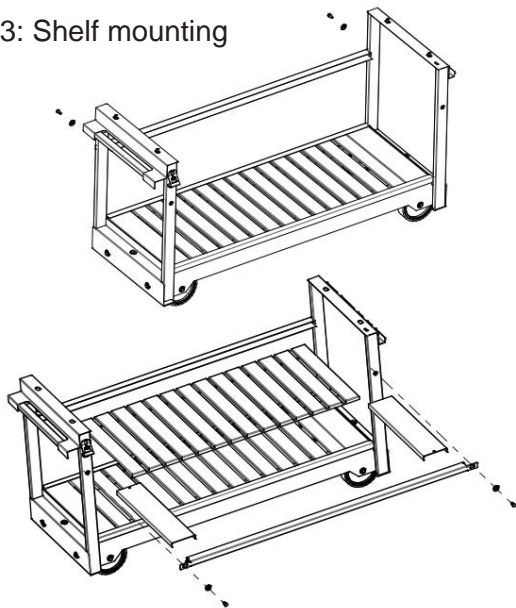


Fig 3: Shelf mounting



Position the first shelf side and link to the hanger sides and secure with the screws and washers provided.

Then place the wooden shelf and the metal boards to finish the installation with the remaining side, fixing it with the screws and washer provided.

PLUNGER PLACEMENT

Fig 4 :Place the plunger using the provided screws.

i The plunger can only be placed on a single upright of the specific side grip assembly, given the distance between centers for the 5/16 screws.

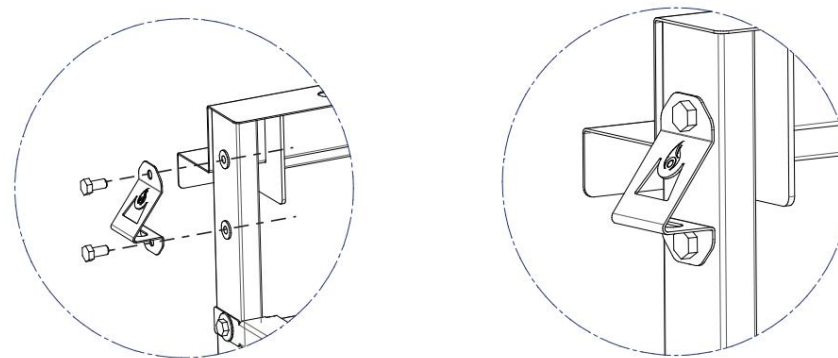


Fig 5: Armed base

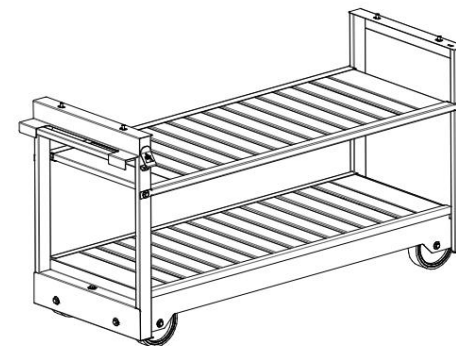
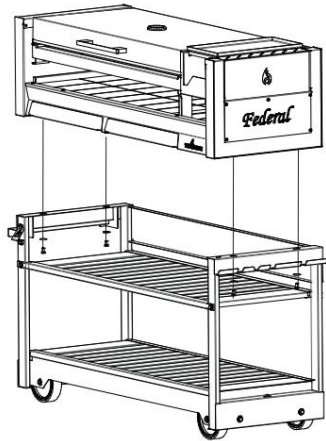


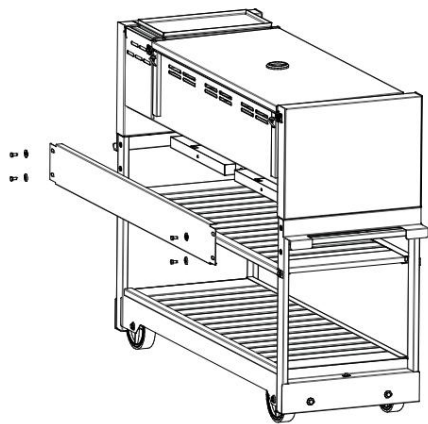
Fig 6: Place the body of the grill on the previously assembled base and fix the riveted , with their corresponding washers, to the nuts bolts located at the bottom of it.



i When placing the grill body, verify (looking from the front) that the grip side is on the left and the hanger side is on the right.

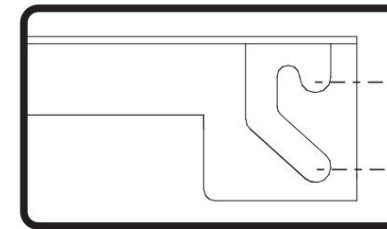
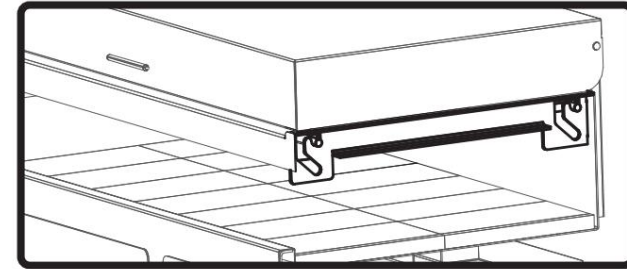
! If necessary, remove the bricks to lighten the piece and facilitate the positioning of the grill body.

Fig 7: Position the rein and fix the bolts, with their corresponding washers, to the riveted nuts located on the sides.



DOUBLE COOKING HEIGHT

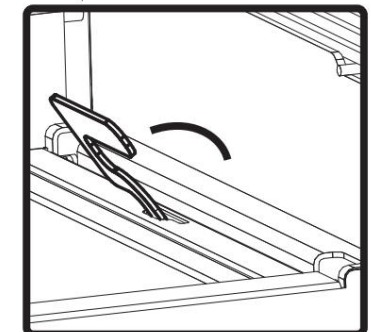
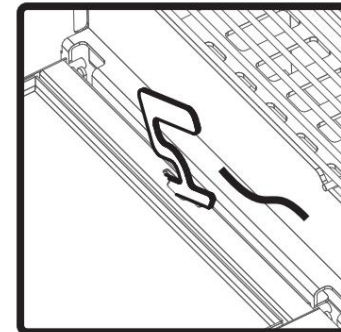
Your TROMEN® grill has two heights for the frame, which allow cooking to be adjusted according to the needs and taste of the griller.



slow cooker

quick cooking

The manipulation of the cooking frame, both to adjust the height or for its assembly and disassembly, is carried out by means of two provided handles; that slide into its lateral openings, as seen in the image.

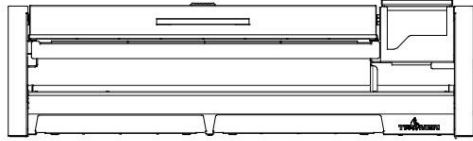


These handles must not be permanently attached during the use of the grill; they can deteriorate.

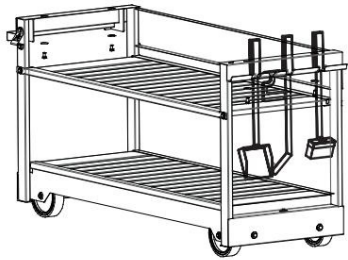
! Handle with protection against contact with hot elements

TROMEN® DESIGN

Your new grill was conceived by the TROMEN® design team considering each of the aspects that make the art of cooking unique. That is why, in addition to the renewed aesthetic, TROMEN® incorporated the following details into its grills.



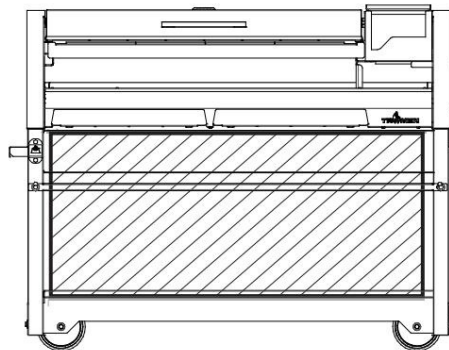
More space, more style, more functionality: Your TROMEN® grill now includes the ceramic stoker within its design, guaranteeing greater quality and durability of the product.



More utility: Now your grill is also your kitchen assistant, since it has hangers for your TROMEN® accessories and for the frame grab handle



More Mobility: With 4 wheels and a sturdy base with a steel handle, you can now move the grill to the desired location quickly and easily.



More space: The useful space of the base was increased, achieving more height and differentiated spaces to comfortably place all the components involved in cooking.

General recommendations The grill leaves the factory with pre-cured paint.



It is possible that when the grill is started up for the first time it gives off a paint smell, this is because the paint cures in use, this event is normal and will not be repeated in the following uses.

During this final curing process, the surface of the curing should not be touched as this could damage the paint.



Do not burn plastics derived from petroleum.



Do not get wet, in contact with moisture, the equipment will oxidize.



Choose a dry place to store it, protecting it from the elements and climatic factors (rain, dust, etc.)

COMPONENTS CHECKLIST

DENOMINATION	QUANTITY	CHECK
GRILL BODY	1	
FRAME	1	
GRILL MODULE	4	
ENLOZED STOKER	1	
SLAPPED PLATE	1	
MONOFRAME	2	
FIRE BRICKS	22	
WOOD PLANK	1	
PLUNGER	1	
REIN	1	
SIDE SHELF	2	
SHELF TABLE	4	
SHELF OF WOOD	2	
SIDE GRIP		
HANGER SIDE	—	
MOBILE BASE	1	
BOLT 5/16	2	
WRENCH		
FRAME HANDLE	12	
CHECK CARRIED OUT BY:		