

GOURMET LINE

DUOMO HUMMER

OWNER'S GUIDE

Do not discard. Contains important information about your product.



TROMEN®

SAFETY INFORMATION

FAILURE TO OBSERVE DANGER NOTICES, WARNINGS AND CAUTIONS CONTAINED IN THIS OWNER'S MANUAL COULD RESULT IN SERIOUS BODILY INJURY, DEATH, OR IN A FIRE OR EXPLOSION CAUSING PROPERTY DAMAGE.



Read all safety information contained in this Owner's and Installer's Guide before operating your grill:



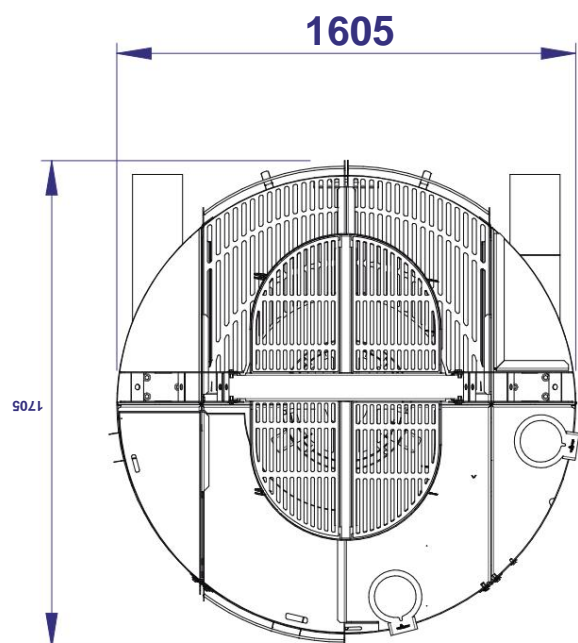
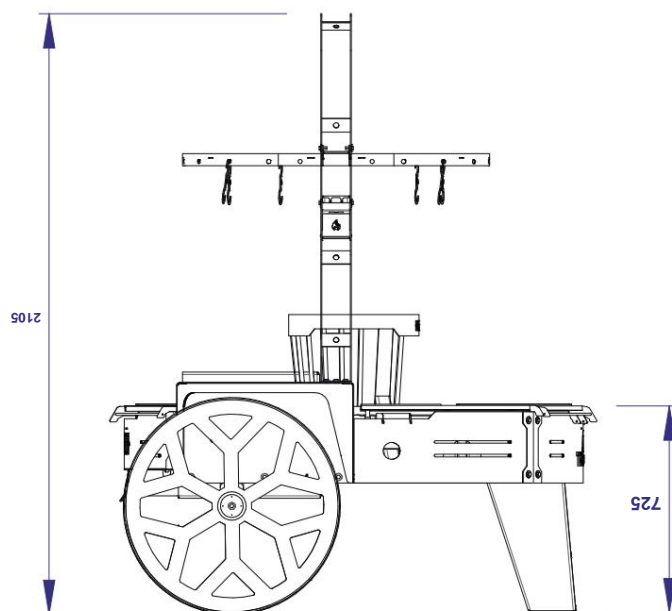
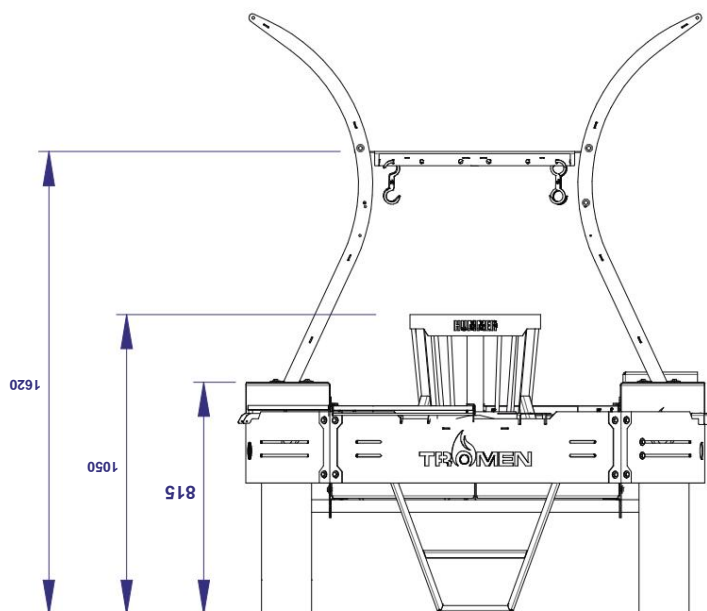
- ⚠ - Do not use it inside the house! This grill should only be used outdoors. If used indoors, gases and fumes will accumulate causing serious bodily injury or death.
- ⚠ - Do not leave babies, children or pets unattended near a hot grill.
- ⚠ - Do not try to move the hot grill. Wait for the grill to cool down before moving it.
- ⚠ - Never add lighter fluid or any type of flammable fuel, or charcoal impregnated with it to hot or warm charcoal.
- ⚠ - You must proceed with care when operating your grill. It will be hot while it is cooking and should never be left unattended while in use.
- ⚠ - Do not remove the ashes until the charcoal is completely burned, completely extinguished and the grill is cool.
- ⚠ - Always keep grill on a safe or level surface away from combustible materials.
- ⚠ - Do not dispose of hot coals where they could be stepped on or present a fire hazard. Waiting for them to cool down is advisable.
- ⚠ - Using abrasive cleaners on the cooking grates or the grill itself will damage the surface finish.
- ⚠ - The grill should be thoroughly cleaned on a regular basis.

Safety Tips for Food Handling:

- ⚠ - Wash your hands well with hot soapy water before starting to prepare any dish and after handling fresh meat, poultry or fish.
- ⚠ - Do not thaw meat, fish or poultry at room temperature or on the kitchen counter. Thaw food in the refrigerator.
- ⚠ - Never put cooked food in the same container as raw food.
- ⚠ - Wash all containers and kitchen utensils that have been in contact with raw meat or fish with water and detergent and rinse them.

OVERALL DIMENSIONS

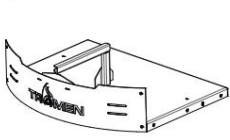
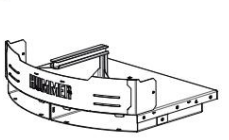
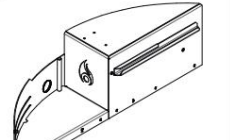
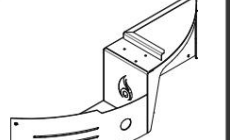
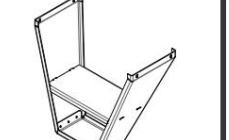
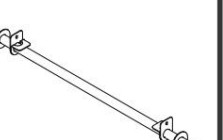
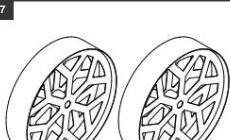
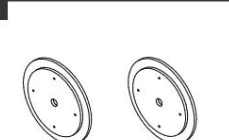
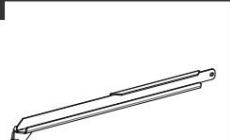


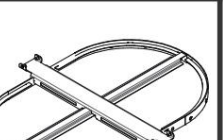

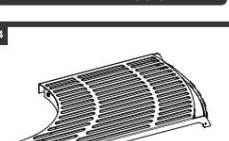
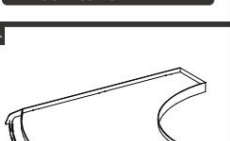
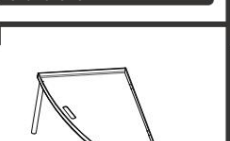
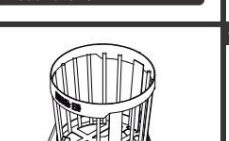
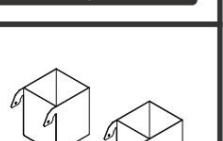
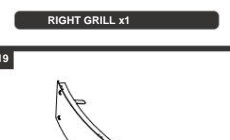

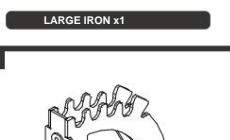


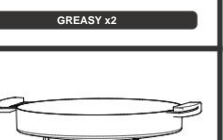


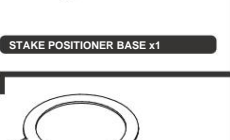

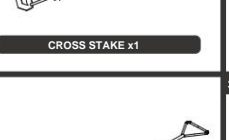
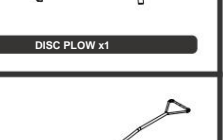
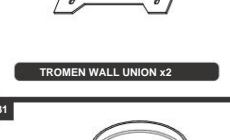

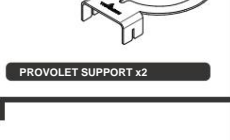



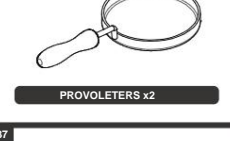
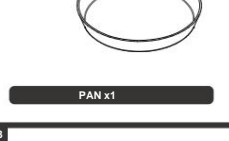



When installing and using your **DUOMO HUMMER** take into account the following dimensions:



*Dimensions expressed in millimeters.

PARTS - DUOMO HUMMER

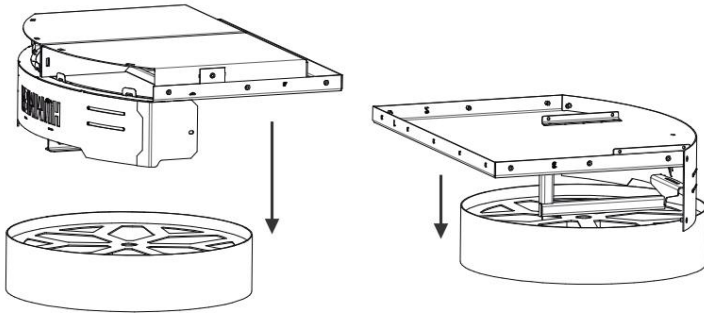
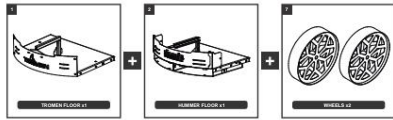
The **HUMMER DUOMO** is composed of the following parts:

1  TROMEN FLOOR x1	2  HUMMER FLOOR x1	3  LEFT SIDE FLOOR x1	4  RIGHT SIDE FLOOR x1	5  FRONT LEG x1	6  AXLE WHEELS x1
7  WHEELS x2	8  WHEEL EXTERNAL FIXING STOP x2	9  PLATES SIDE SUPPORT x1	10  PUNCH CAGE STAND x1	11  BROOCH CAGE STAND x1	12  HANGER x1
13  RIGHT GRILL x1	14  LEFT GRILL x1	15  LARGE IRON x1	16  GIRL IRON x1	17  STOKER x1	18  GREASY x2
19  LEFT OVEN COVER x1	20  RIGHT OVEN COVER x1	21  STAKE POSITIONER BASE x1	22  STAKE POSITIONER x1	23  CROSS STAKE x1	24  DISC FLOW x1
25  TROMEN WALL UNION x2	26  HANGER RACKS x4	27  PROVOLET SUPPORT x2	28  WOODEN BOARD x1	29  POKER x1	30  LEG x1
31  PROVOLETTERS x2	32  PAN x1	33  BROCHETTE x2	34  BLACK SCREW x55	35  BLACK WASHER x55	36  BLACK NUT x12
37  CHAINS x3	38  DUOMO HANGER HOOK x6	39  STAKE HOOKS x4	40  TROMEN KEYS 13" x2		

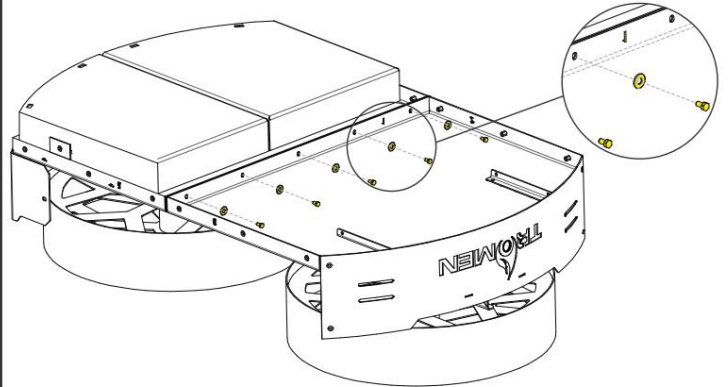
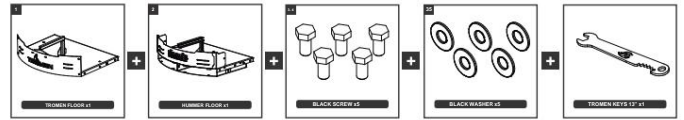
ARMING SEQUENCE

*At least 3 people are required to assemble the equipment.
To assemble the **DUOMO HUMMER**, carefully follow the steps below:

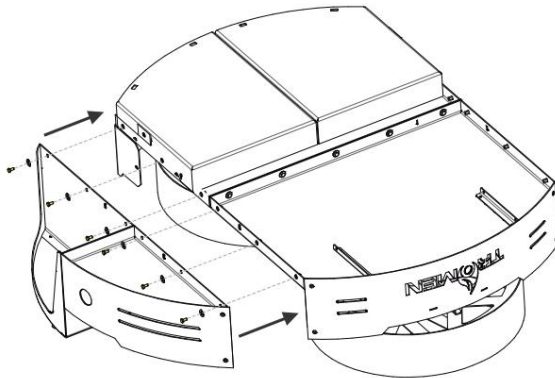
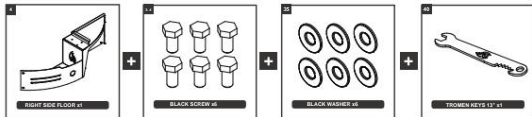
STEP 1: PLACE THE 2 WHEELS LYING ON THE FLOOR AND SUPPORT THE "PISO TROMEN" PIECES AND "HUMMER FLOOR" ABOVE THE SAME. THIS WILL ALLOW YOU WORK WITH MORE COMFORT.



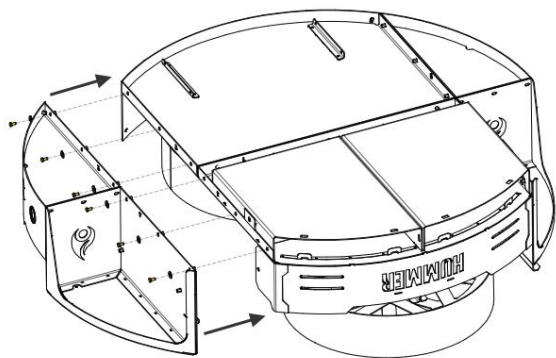
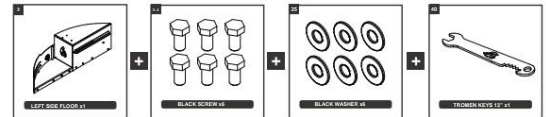
STEP 2: JOIN THE "PISO TROMEN" AND "PISO HUMMER" PIECES WITH 5 SCREWS AND 5 WASHERS. IN BOTH FLOORS IT WILL BE ABLE TO RECOGNIZE THE NUMBER "1", PUT THE PARTS TOGETHER SO THAT THEY ARE GLUED. BE SURE TO TURN THE SCREWS TO THE BOTTOM, BUT NOT FULLY TIGHT.



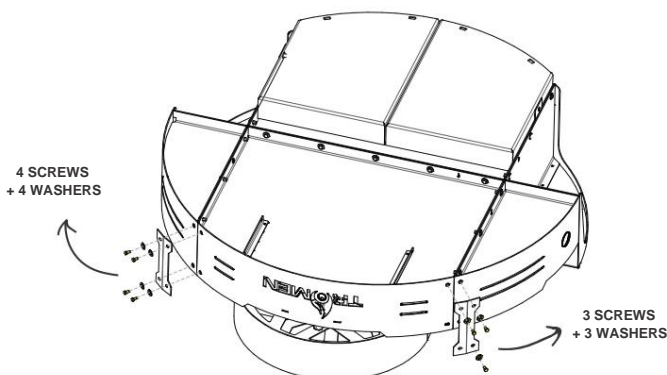
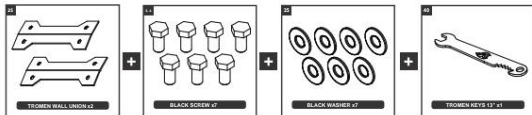
STEP 3: ASSEMBLE THE "RIGHT SIDE FLOOR" WITH 6 SCREWS AND 6 WASHERS. IN BOTH PIECES THE NUMBERS "3" AND "5" WILL BE ABLE TO RECOGNIZE, PUT THE PARTS TOGETHER SO THAT THEY ARE STUCK. BE SURE TO TURN THE SCREWS TO THE BOTTOM, BUT NOT FULLY TIGHT.



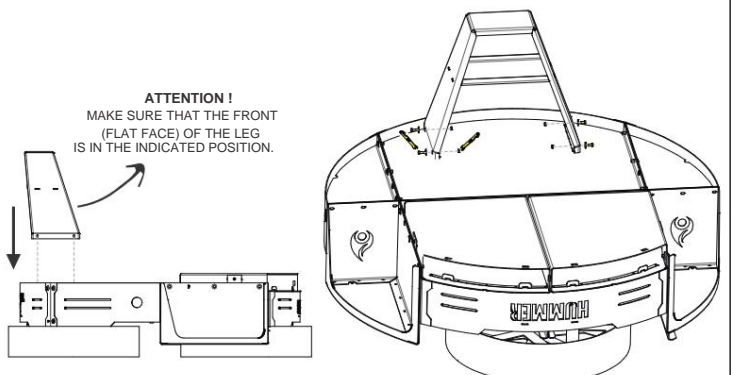
STEP 4: ASSEMBLE THE "LEFT SIDE FLOOR" WITH 6 SCREWS AND 6 WASHERS. THE NUMBERS "2" AND "4" WILL BE ABLE TO RECOGNIZE IN BOTH PIECES, PUT THE PARTS TOGETHER SO THAT THEY ARE GLUED. BE SURE TO TURN THE SCREWS TO THE BOTTOM, BUT NOT FULLY TIGHT.



STEP 5: ASSEMBLE THE "TROMEN WALL JOINTS" WITH 7 SCREWS AND 7 WASHERS. TURN THE SCREWS TOWARDS THE BOTTOM, AND IN THIS CASE, ADJUST TO THE MAXIMUM. AFTER HAVING DONE THE MENTIONED, TIGHTEN TO THE MAXIMUM ALL THE SCREWS PLACED IN THE PREVIOUS STEPS.



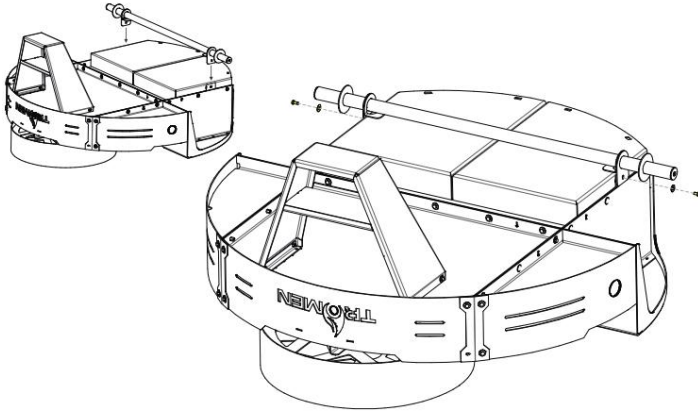
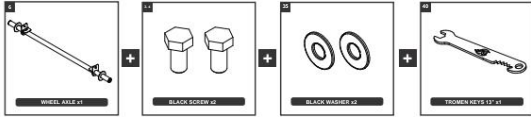
STEP 6: PLACE THE "FRONT LEG" WITH 4 LONG SCREWS, 4 WASHERS AND 4 NUTS. THE SCREWS AND WASHERS WILL GO OUTSIDE THE FRONT LEG, AND THE NUTS INSIDE THE SAME. WITH THE TROMEN KEYS ADJUST THOSE MENTIONED AS MUCH AS POSSIBLE.



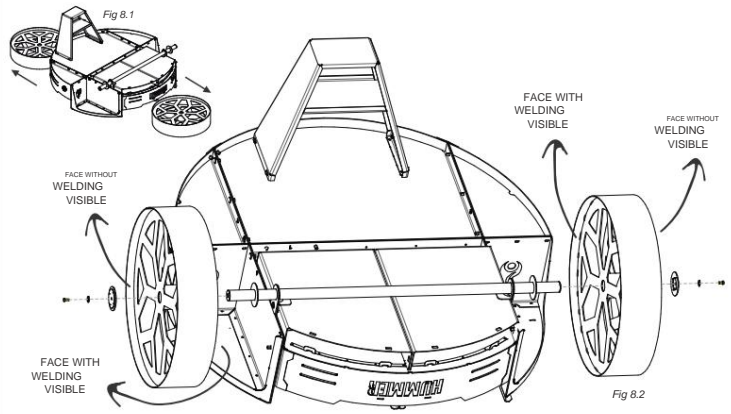
*The remaining screw and washer will be placed in step No. 9

ARMING SEQUENCE

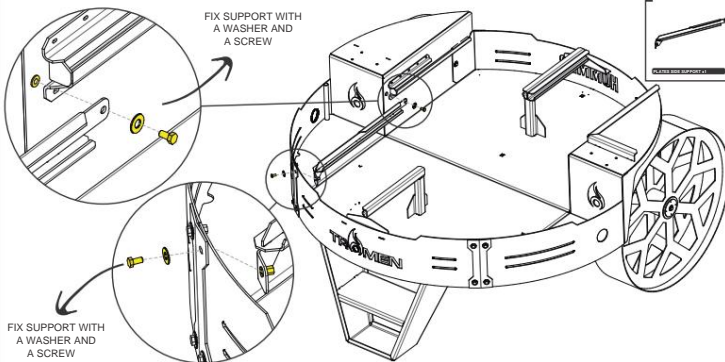
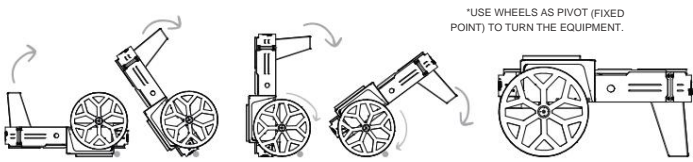
STEP 7: PLACE "WHEEL AXLE" WITH 2 SCREWS AND 2 WASHERS. USE THE "TROMEN KEY" TO ADJUST THEM COMPLETELY.



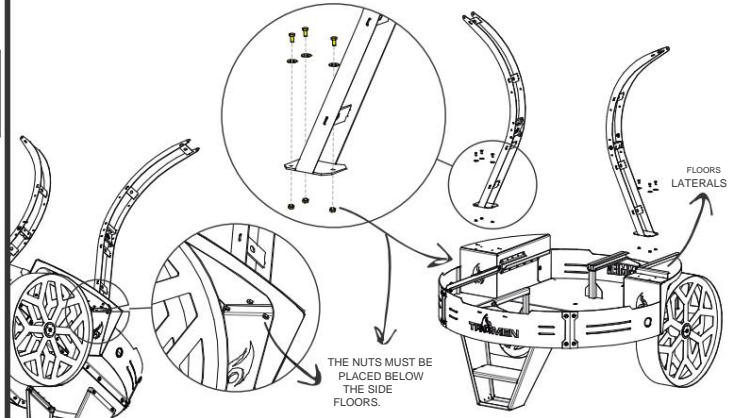
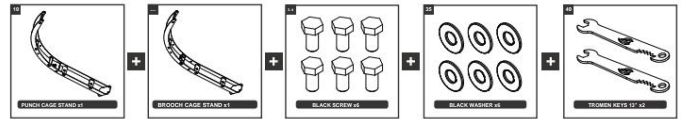
STEP 8: RAISE THE EQUIPMENT, REMOVE THE WHEELS AND PLACE THEM ON THE AXLE, MAKE SURE THAT THE SIDE ON WHICH THE WELDS ARE LOCATED (Fig 8.2) IS FACING INSIDE. THEN, PLACE THE "EXTERNAL FIXING STOPS" AND ADJUST BOTH PARTS WITH 1 SCREW AND 1 WASHER PER SIDE.



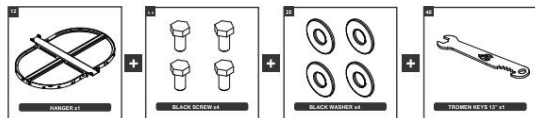
STEP 9: ROTATE THE "DUOMO HUMMER" 180°. TO DO SO, LIFT THE FRONT LEG AND USE THE WHEELS AS A PIVOT. AT LEAST THREE PEOPLE ARE NEEDED TO CARRY OUT THE MOVEMENT.



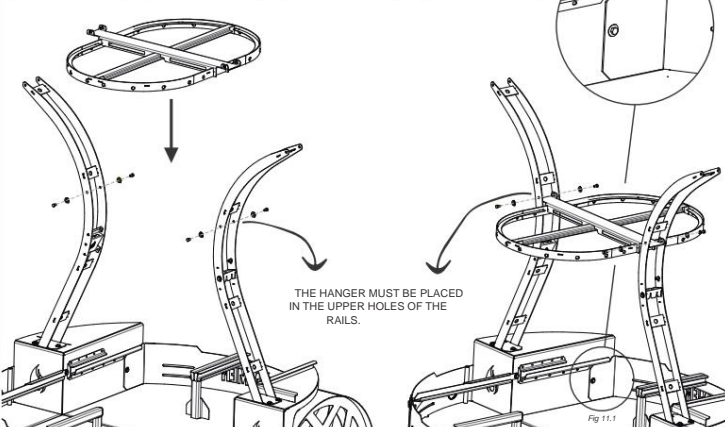
STEP 10: ASSEMBLE THE "CAGE STUDS" WITH 3 SCREWS, 3 WASHERS AND 3 NUTS EACH. THE NUTS MUST BE PLACED BELOW THE SIDE FLOORS. MAKE SURE YOU TIGHTEN THE SCREWS AS MUCH AS POSSIBLE SO THAT THE PARTS REMAIN FIRMLY FIRM.



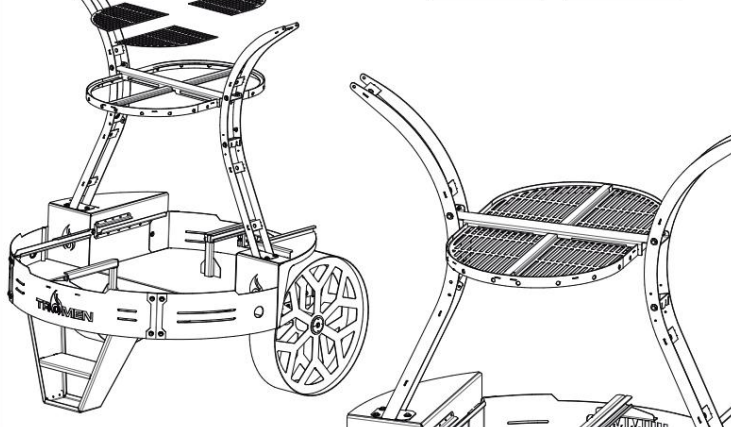
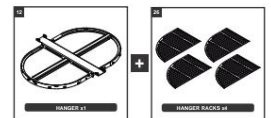
STEP 11: THE HANGER MUST BE ATTACHED WITH 4 SCREWS AND 4 WASHERS. RECOGNIZE THE HOLES INDICATED IN THE IMAGES, PRESENT THE PIECE AND ADJUST IN ITS ENTIRETY WITH A TROMEN KEY.



INSIDE THE TEAM IT WILL BE ABLE TO RECOGNIZE PART INDICATED IN FIG 11.1. PLACE A SCREW + A WASHER PER SIDE TO FIX BOTH SIDES.

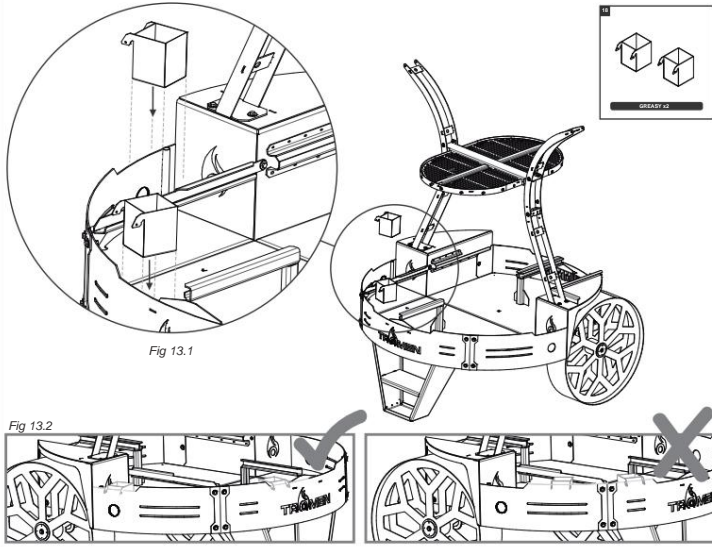


STEP 12: PLACE UPPER RACKS. TO DO SO, MAKE SURE THE HANGER IS FIRMLY FIRM AND SUPPORT THE MODULES IN THEIR RESPECTIVE POSITIONS.

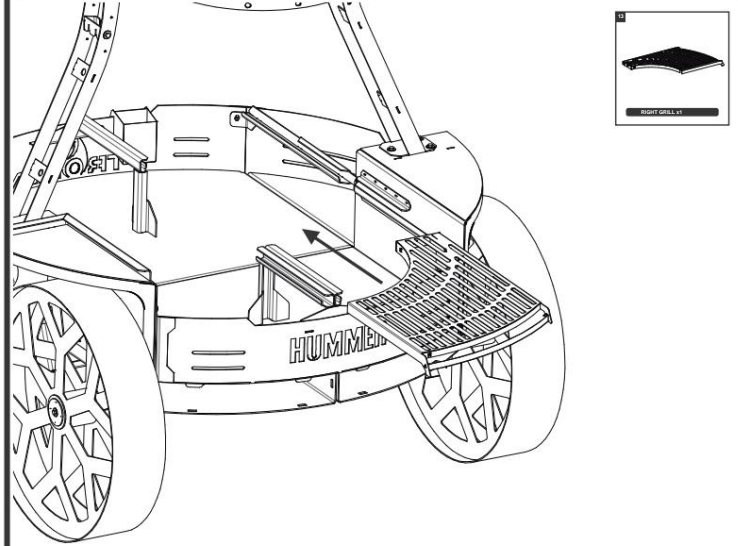


ARMING SEQUENCE

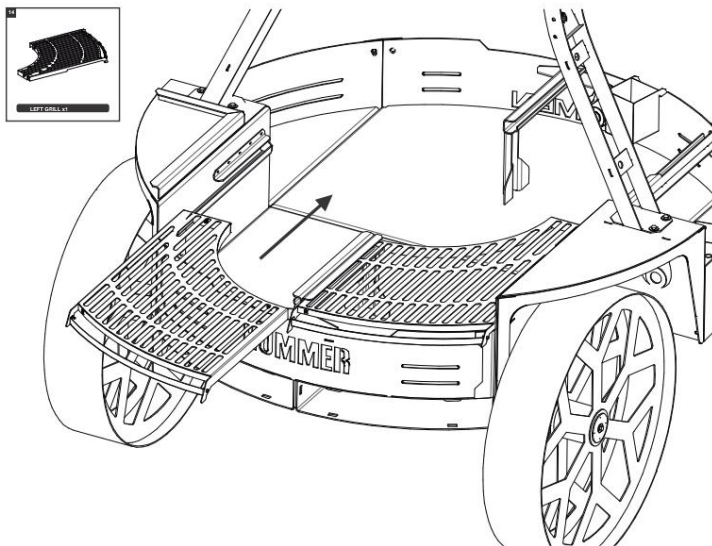
STEP 13 PLACE THE TUBES INSIDE THE EQUIPMENT. MAKE SURE THEY REMAIN SUPPORTED ON THE LOWEST SECTOR OF THE WALL SO THAT THE PLATES RUN FREELY. See Fig 13.2.



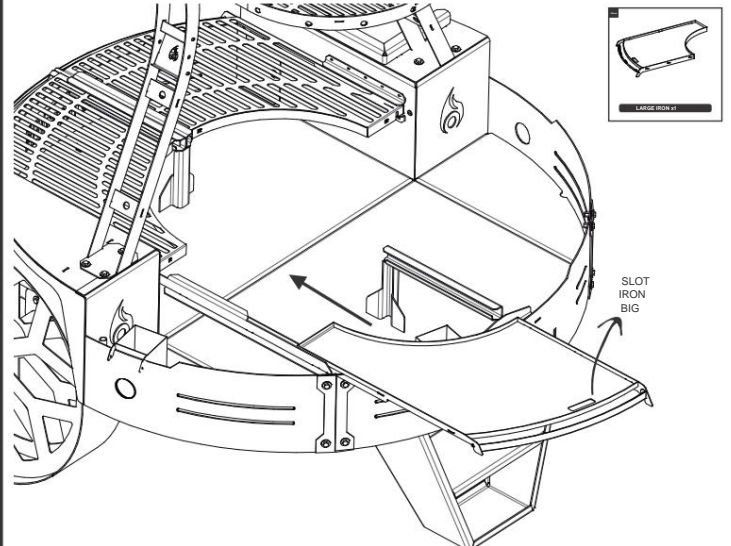
STEP 14: INSERT RACKS. START WITH THE RIGHT RACK, SLIDING IT DOWN THE RUNS TOWARDS THE BACK.



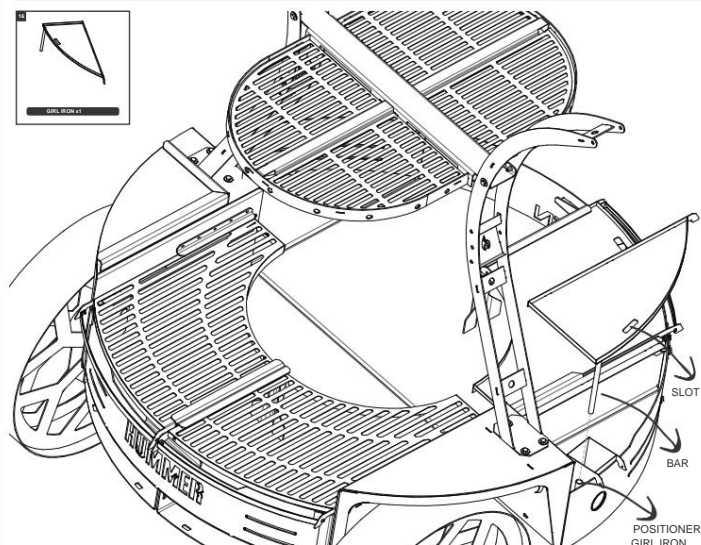
STEP 15: REPEAT OPERATION WITH THE LEFT RACK. SLIDE IT GENTLY TOWARDS THE BOTTOM UNTIL YOU FEEL THAT IT HAS COMPLETED.



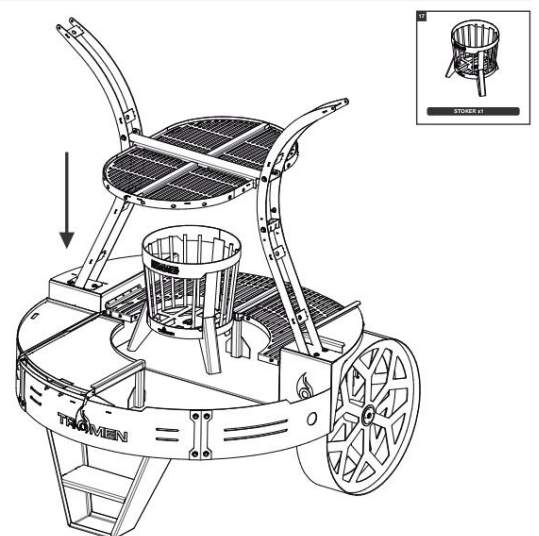
STEP 16: LIKE THE GRILLS, THE PLATE SHOULD BE PLACED ON THE OPPOSITE SIDE TO THEM, SLIDING IT THROUGH THE SLIDES. MAKE SURE THAT THE GUN IS BELOW THE INDICATED SLOT.



STEP 17: TO PLACE THE SMALL PLATE, INSERT THE BAR IN THE POSITIONER INDICATED IN THE FIGURE. LIKE THE LARGE PLATE, MATCH THE GROOVE WITH THE GREASE.

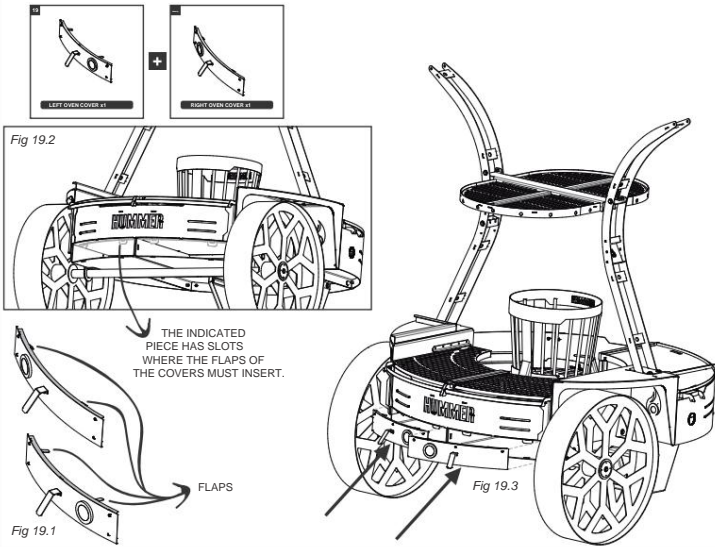


STEP 18: TAKE THE STOKER AND PLACE IT IN THE CENTER OF THE HUMMER DUOMO.

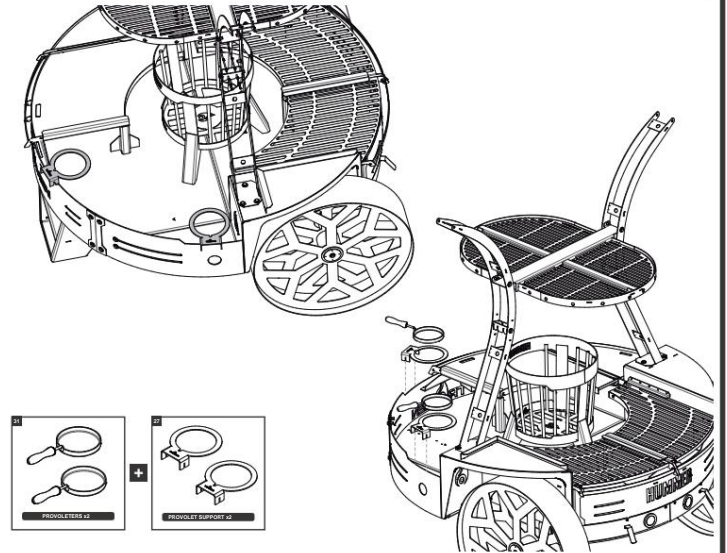


ARMING SEQUENCE

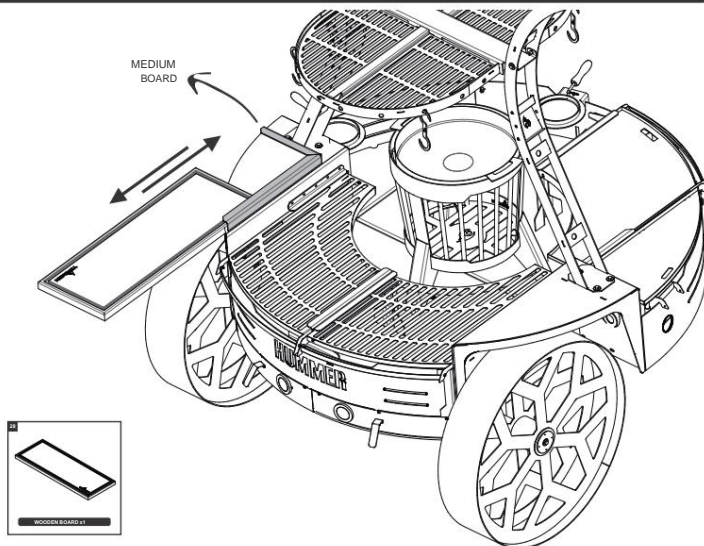
STEP 19: TO PLACE THE OVEN COVERS, IT IS IMPORTANT TO RECOGNIZE THE FLAPS (Fig 19.1) THAT MUST GO INTO THE SLOTS (Fig 19.2) FOUND INSIDE THE OVENS. MAKE SURE THE PYROMETERS ARE IN THE CENTER OF THE EQUIPMENT (Fig 19.3).



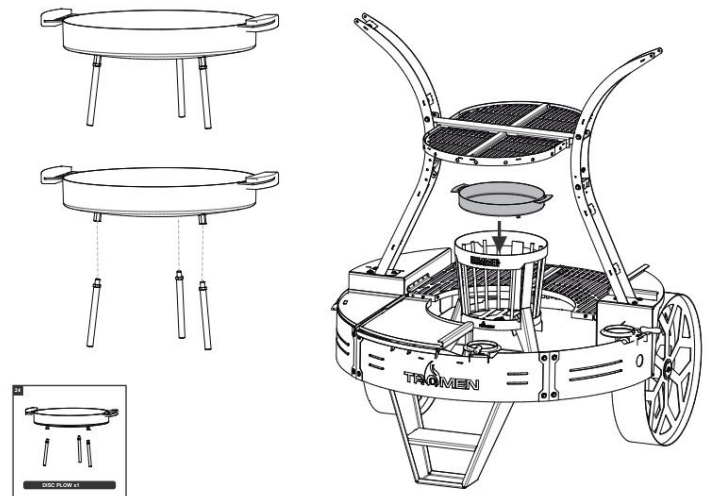
STEP 20: TO PLACE THE SUPPORTS OF THE PROVOLETTERS, INSERT THE SLOTS OF THE SAME IN THE DESIRED WALL. MAKE SURE THEY DO NOT INTERFERE WITH THE CROSS, GRILLS OR PLATES. THEY CAN ALSO BE PLACED IN THE STOKER.



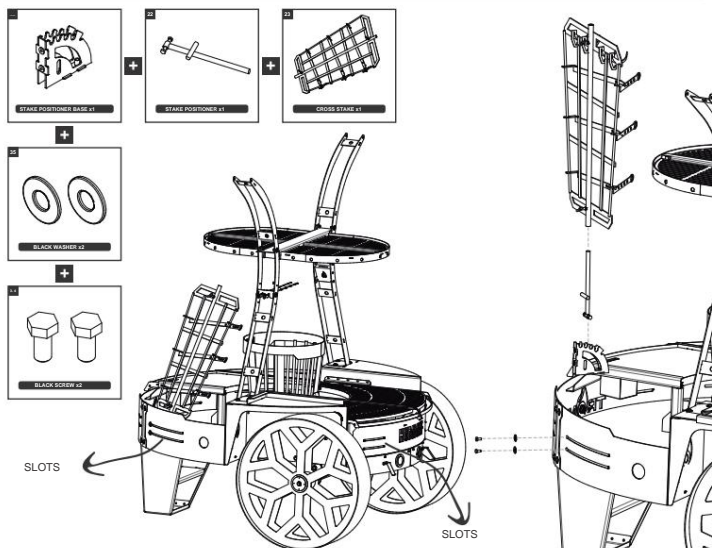
STEP 21: INSERT THE WOODEN BOARD INTO THE INDICATED SUPPORT. IT CAN BE PLACED AND REMOVED REPEATEDLY WITHOUT PROBLEMS.



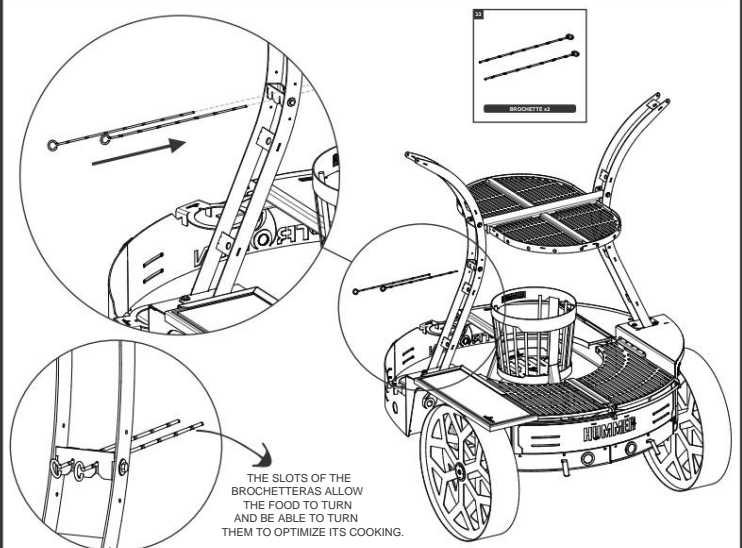
STEP 22: PLACE THE DISC PLOW IN THE DESIRED POSITION. IF IT IS LOCATED IN THE STOKER, IT IS RECOMMENDED TO REMOVE THE LEGS.



STEP 23: THE CROSS STAKE CAN BE PLACED IN 4 POSITIONS FROM THE SLOTS INDICATED. TO DO SO, FIX THE POSITIONER IN THE DESIRED LOCATION WITH 2 WASHERS AND 2 SCREWS.

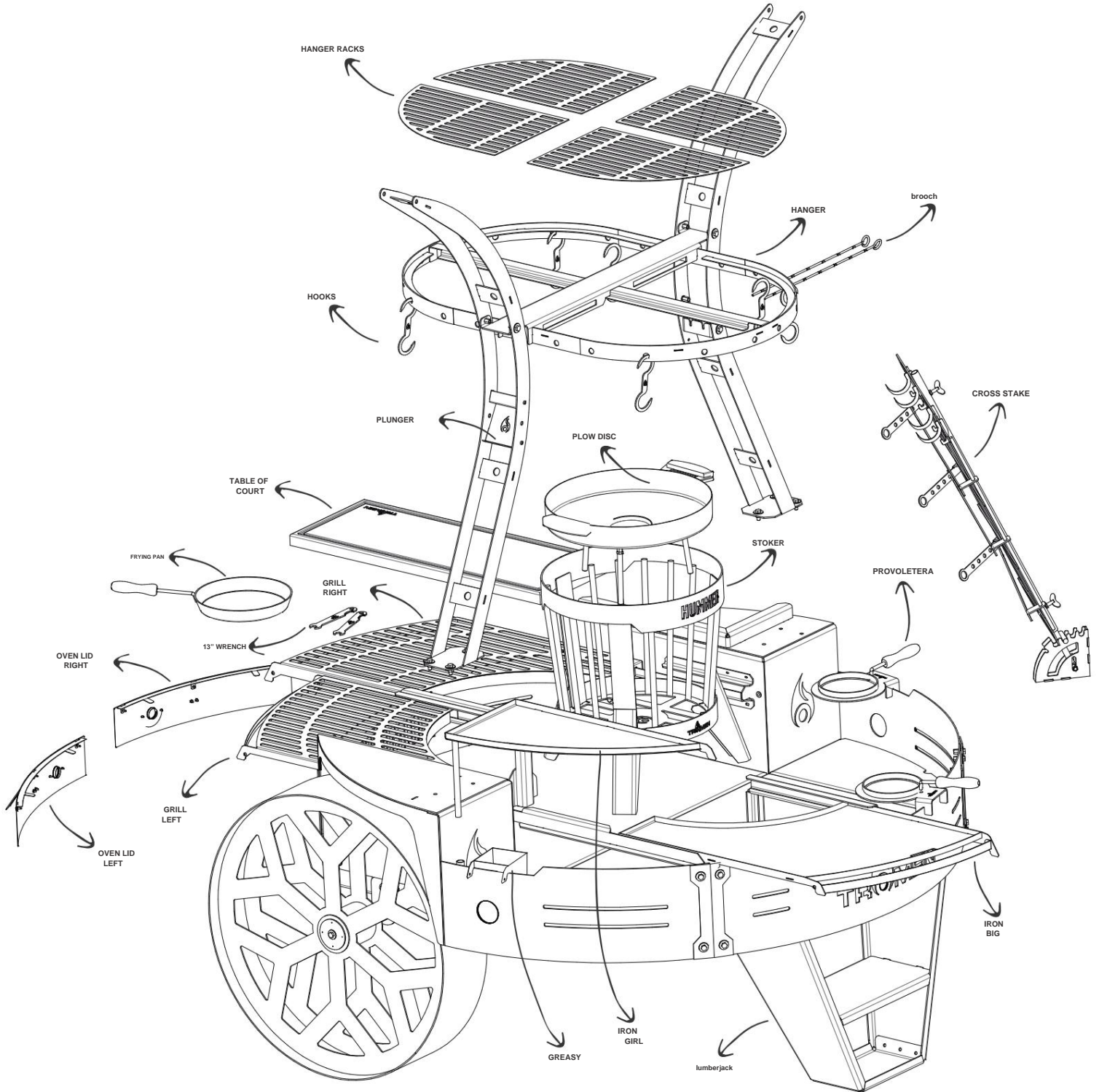


STEP 24: FINALLY, PLACE THE BRACKET ON THE SUPPORT INDICATED IN Fig 24.1.



*The packaging includes extra screws, washers and nuts, so it is correct that when finishing assembling the equipment there are supplies left over.

EXPLODED



WARRANTY

TO VALIDATE THE WARRANTY, YOU MUST REGISTER ELECTRONICALLY THROUGH OUR WEBSITE www.tromen.com WITHIN 10 DAYS AFTER THE PURCHASE OF THE EQUIPMENT. OTHERWISE, IT WILL BE VOID.

WARRANTY

TROMEN® hereby guarantees to the BUYER ORIGINAL of this TROMEN® gas grill that it will be free of defects in both materials and manufacturing, as long as it is assembled and operated according to the instructions that accompany it, from the date of purchase and according to the following:

Glazed parts 1 year

All other parts: The product is designed to oxidize over time, so the protection (lacquer) that the parts have will be lost when first turned on.

This limited warranty does not cover paint failures if the equipment is stored outdoors, since said event will prematurely degrade the applied surface finish.

TROMEN® may require proof of date of purchase. **THEREFORE YOU SHOULD KEEP YOUR PURCHASE RECEIPT OR INVOICE AND THE EQUIPMENT REGISTRATION LABEL.**

This guarantee is limited to the replacement or repair of parts that are defective under normal use and service and which, when examined, indicate to the full satisfaction of TROMEN® that they are indeed defective. If TROMEN® confirms the defect and approves the claim, it will replace or repair such part free of charge.

The change of the components or the product will be made through the point of sale where the equipment was purchased, which will coordinate its withdrawal with the client.

In case of requiring field inspections for the products within a period of 60 days from the date of purchase, these will be free of charge for the customer as long as the failure is caused by manufacturing problems; Otherwise all the expenses incurred will be borne by the user.

This limited warranty does not cover failure or operational difficulties due to accident, abuse, misuse, alteration, misuse, vandalism, improper installation, improper maintenance or service, or failure to perform normal maintenance and routine. This limited warranty does not cover deterioration or damage due to inclement conditions such as hail, explosion of chemical substances either by direct contact or by the same contained in the atmosphere.

There are no express warranties other than those stated herein and any implied warranties of merchantability and fitness for use are limited in duration to the time covered by this express written Limited Warranty.

TROMEN® is not responsible for any special, indirect, consequential, property damage, personal, etc. or any other incidental damage.

TROMEN® does not authorize any person or company to assume on its behalf any obligation or liability in connection with the sale, installation, use, removal, return or replacement of its equipment, and no such representation shall be binding on TROMEN®.

REPORT ANY DEFECTS TO:

serviciotecnico@tromen.com



TROMEN®



The team must perform a curing process for the painted parts.
When using it for the first time, leave it on for about 15 minutes one time. Then, it will not be necessary to repeat the mentioned action.

This product was designed to be used outdoors, which is why its rustic appearance is due. Keep in mind that over time its surface will look oxidized in search of that rusticity.
This will not affect the operation of the equipment.



Do not burn plastics derived from petroleum.



Do not get wet, contact with moisture causes damage to the pieces.



Choose a dry place for storage, protecting it from rain and dust.

COMPONENTS CHECKLIST

DENOMINATION	AMOUNT	CHECK
RIGHT SIDE FLOOR	1	✓
LEFT SIDE FLOOR	1	✓
WHEELS	2	✓
PLATES SIDE SUPPORT	1	✓
HANGER RACKS PROVOLETERA	4	✓
FRYING PAN	2	✓
TROMEN FLOOR	1	✓
DISC PLOW WITH FOOT WOOD	1	✓
PLANK	1	✓
CROSS STAKE	1	✓
GIRL IRON	1	✓
GREASY	1	✓
HUMMER FLOOR	2	✓
HANGER	1	✓
AXLE WHEELS	1	✓
STOKER	1	✓
CAGE STAND	1	✓
FRONT LEG	2	✓
WHEEL EXTERNAL FIXING STOP	1	✓
TROMEN WALL UNION	2	✓
LEFT OVEN COVER	2	✓
RIGHT OVEN COVER PROVOLET	1	✓
SUPPORT	1	✓
DUOMO HANGER HOOK	2	✓
BROOCH	6	✓
STAKE POSITIONER	2	✓
STAKE HOOKS	1	✓
CHAINS	4	✓
BLACK WASHER	3	✓
BLACK SCREW	55	✓
BLACK NUT	55	✓
TROMEN KEYS 13"	12	✓
POKER	2	✓
SHOVEL	1	✓
LEFT GRILL	1	✓
RIGHT GRILL	1	✓
LARGE GRIDDLE	1	✓
	1	✓

GOURMET LINE

DUOMO HUMMER

OWNER'S GUIDE Don't
throw away. It contains important information about your product.



TROMEN®

SECURITY INFORMATION

NOT TO FOLLOW THESE DANGER WARNINGS AND PRECAUTIONS WITHIN THIS OWNER'S MANUAL MIGHT RESULT IN SERIOUS BODY INJURIES, DEATH OR IN FIRE OR EXPLOSION THAT MAY CAUSE PROPERTY DAMAGES



Read all the safety information within this owner's guide and settler before starting the grill:



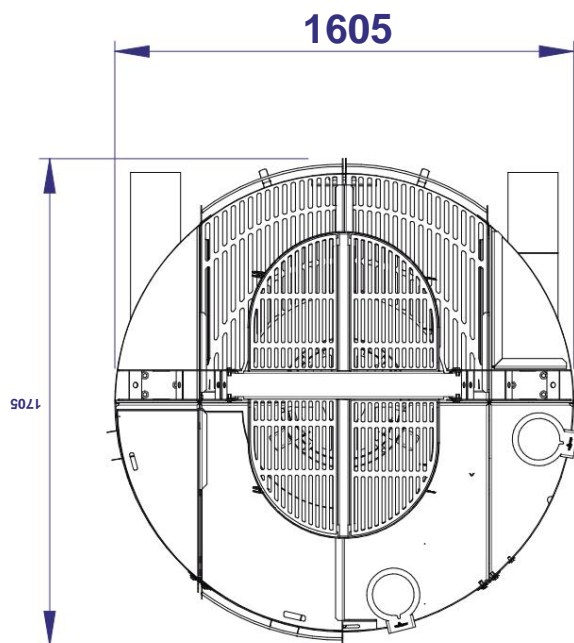
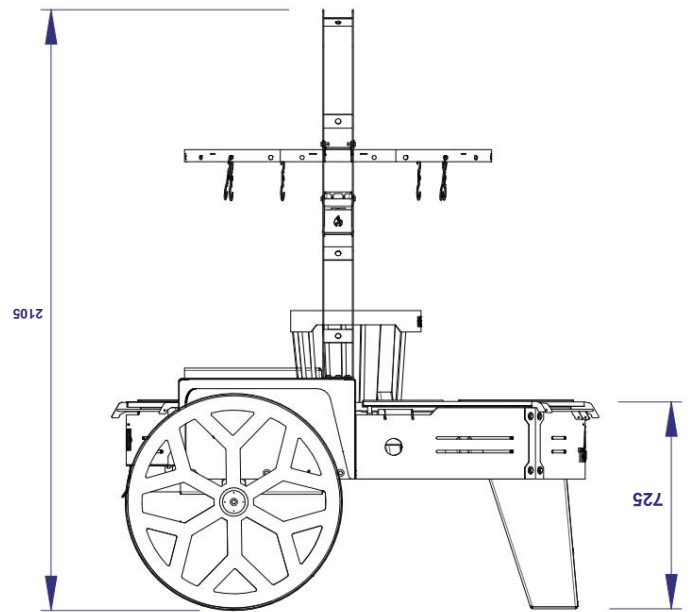
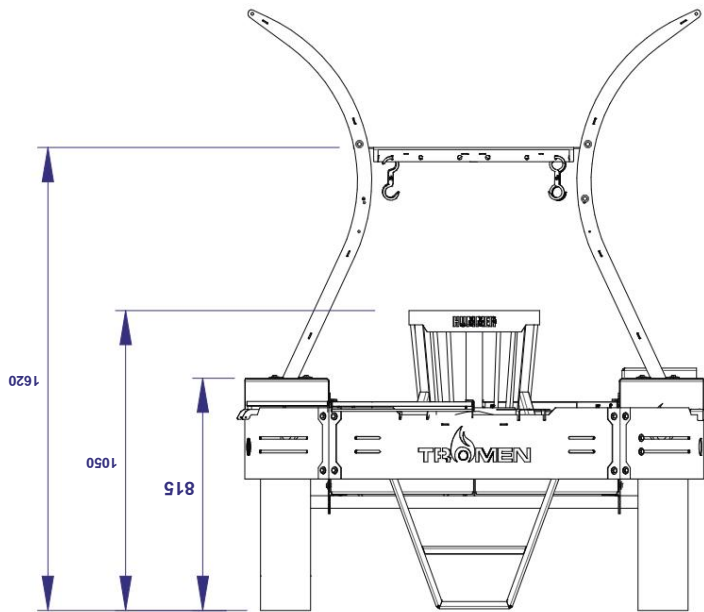
- ⚠ - Don't use it inside the house. This grill must be used only outdoors. If it is used indoors. Gases and smoke will add up, which may lead to serious body injuries or even death.
- ⚠ - Don't leave babies, kids or babies unsupervised near the hot grill.
- ⚠ - Don't try to move the grill when it is hot. Wait for the grill to cool down before you move it.
- ⚠ - Never add starting liquid or any kind of flammable liquid or vegetable coal soaked in the hot or warm liquid.
- ⚠ - You must proceed carefully when using the grill. It will be hot while you are cooking and you must never leave it unsupervised while using it.
- ⚠ - Don't remove the ashes until the coal is fully burnt, off and the grill is cold.
- ⚠ - Keep the grill on a safe surface or in a place far away from inflammable fuels.
- ⚠ - Do not throw hot coal away where it could be stepped on or it could imply fire risk. It is recommended to wait until it cools down.
- ⚠ - Using cleaning products on the cooking grates or on the grill itself will damage the grill's endings.
- ⚠ - The grill will have to be fully cleaned on a regular basis.

Safety recommendations when handling meals:

- ⚠ - Wash your hands with hot water and soap before you start preparing any dish and after you have touched meat, birds and fresh fish.
- ⚠ - Do not defrost meat, fish or birds at room temperature or on the cooking table. Defrost the meals in the fridge.
- ⚠ - Do not put cooked meals in the same bowl in which you have put raw food.
- ⚠ - Wash with water and detergent and the containers and kitchen utensils that have been in contact with meat and raw fish, wash them.

OVERALL DIMENSIONS

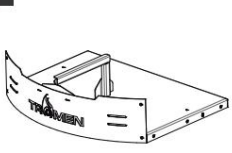
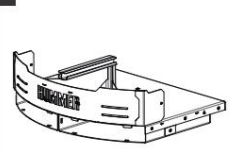
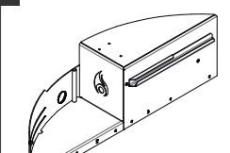
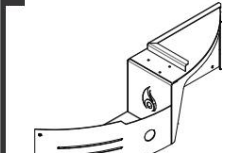

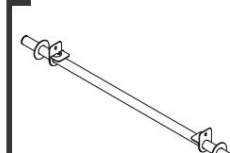
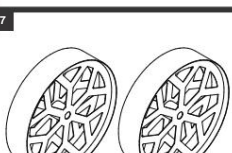
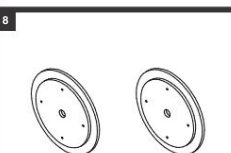
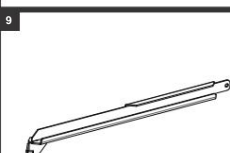
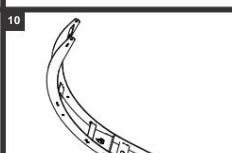

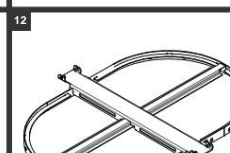


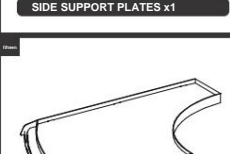


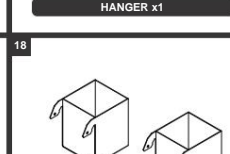
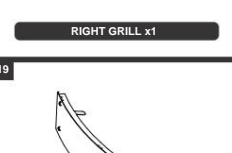

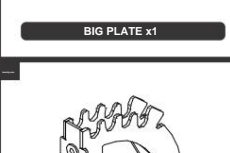
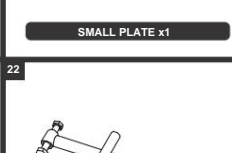

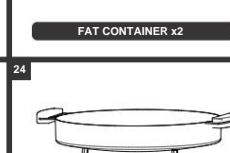

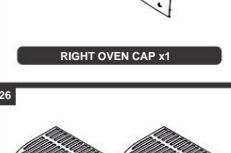


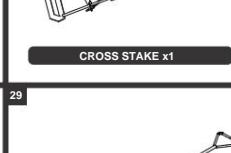
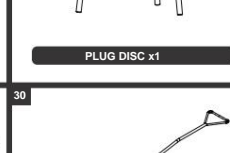
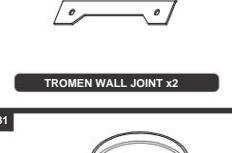



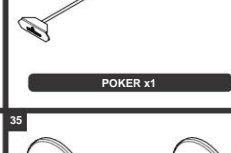
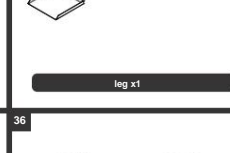


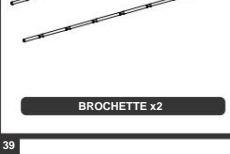


When installing and using the **DUOMO HUMMER** bear these dimensions in mind.



*Dimensions measured in millimeters.

DUOMO HUMMER – PIECES

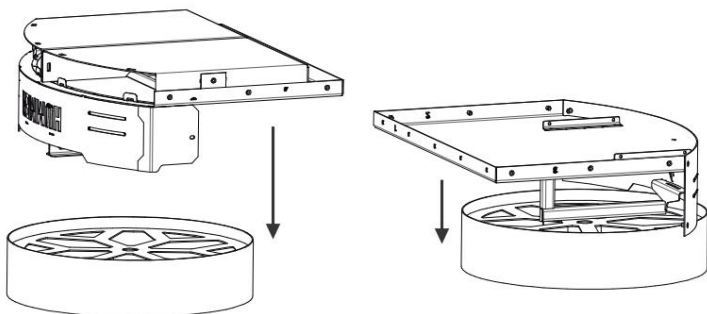
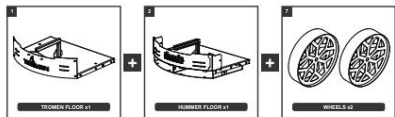
The **DUOMO HUMMER** is made up of the following pieces.

1  FLOOR TROMEN x1	2  FLOOR HUMMER x1	3  LEFT SIDE FLOOR x1	4  RIGHT LATERAL FLOOR x1	5  FRONT LEG x1	6  WHEEL AXES x1
7  WHEELS x2	8  EXT. FASTENING STOP WHEEL x2	9  SIDE SUPPORT PLATES x1	10  STOP CAGE OPENER x1	11  STOP CAGE BROOCH x1	12  HANGER x1
13  RIGHT GRILL x1	14  LEFT GRILL x1	15  BIG PLATE x1	16  SMALL PLATE x1	17  STOCKERS x1	18  FAT CONTAINER x2
19  LEFT OVEN CAP x1	20  RIGHT OVEN CAP x1	21  TAILSTOCK BASE STAKE x1	22  TAILSTOCK STAKE x1	23  CROSS STAKE x1	24  PLUG DISC x1
25  TROMEN WALL JOINT x2	26  GRILL HANGER x4	27  GRILL CHEESE SUPPORT x2	28  WOODEN BOARD x1	29  POKER x1	30  leg x1
31  GRILL CHEESE MOLD x2	32  Saucepan x1	33  BRÔCHETTE x2	34  BLACK NAIL x55	35  BLACK WASHER x55	36  BLACK NUT x12
37  CHAINS x3	38  DUOMO HANGER HOOK x6	39  STAKE HANGER x4	40  TROMEN WRENCH 13" x2		

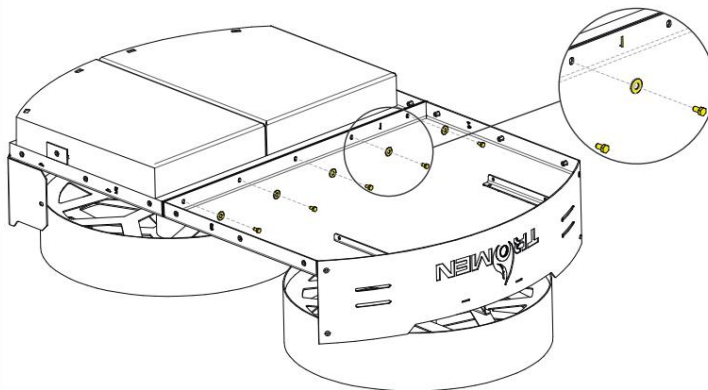
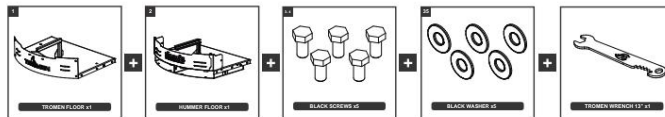
ASSEMBLY SEQUENCE

*Three people are required to assemble this equipment.
Follow the instructions carefully in order to assemble the DUOMO HUMMER

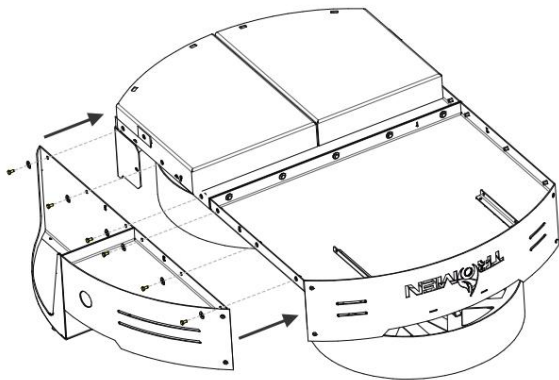
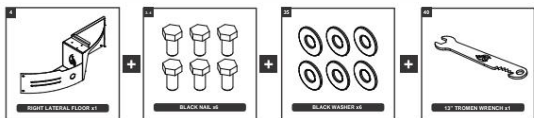
Step 1. Place the two wheels horizontally on the floor and support the "TROMEN floor" and "HUMMER floor" pieces on top of them. This will allow to work more easily.



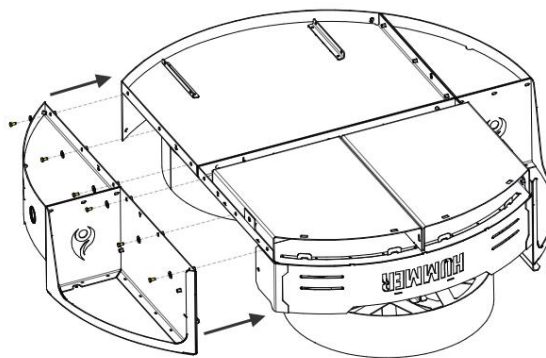
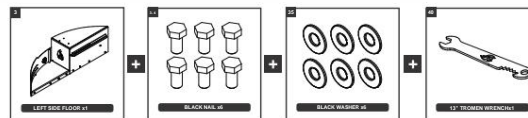
Step 2. Join the "TROMEN floor" and the "HUMMER floor" pieces with five screws and five washers. In both floors you will be able to notice number "1". Join the parts together so that they stick together. Make sure that you turn the screws to the bottom but not to adjust to the maximum.



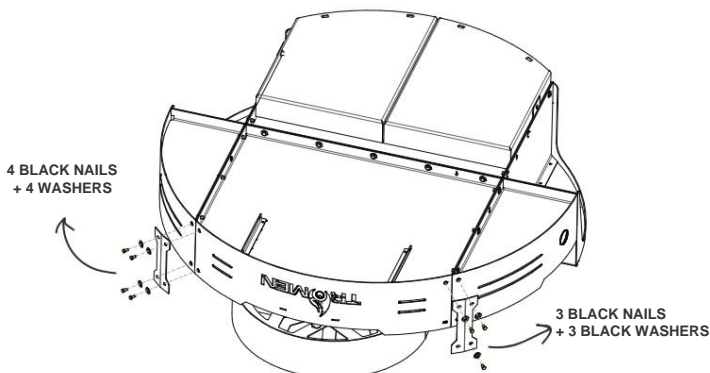
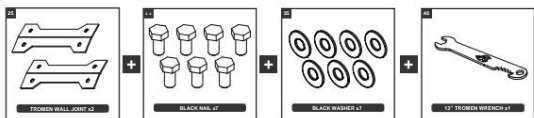
STEP 3: ASSEMBLE THE "LATERAL RIGHT FLOOR" WITH EIGHT SCREWS AND WASHERS. YOU WILL BE ABLE TO NOTICE THE NUMBERS "3" AND "5". JOIN THE PARTS SO THAT THEY STICK TOGETHER. MAKE SURE TO TURN THE SCREWS TO THE BOTTOM BUT NOT TO ADJUST TO THE MAXIMUM.



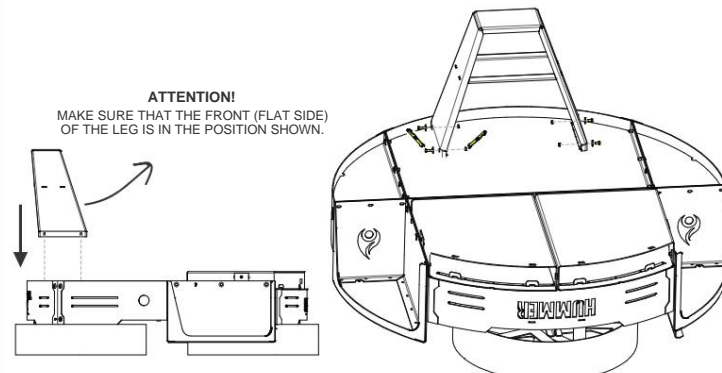
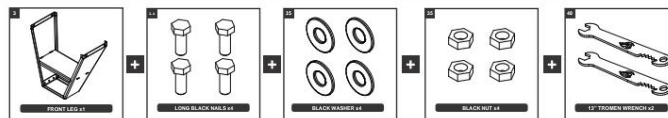
STEP 4: ASSEMBLE THE LEFT "TROMEN FLOOR" WITH SIX SCREWS AND SIX WASHERS. IN BOTH PIECES YOU WILL BE ABLE TO NOTICE THE NUMBERS "2" AND "4". JOIN THE PARTS SO THAT THEY ARE STUCK. MAKE SURE TO TURN THE SCREWS TO THE BOTTOM BUT NOT TO ADJUST TO THE MAXIMUM.



STEP 5: ASSEMBLE THE "WALLS TROMEN JOINTS" WITH SEVEN SCREWS AND SEVEN WASHERS. TURN THE SCREWS TO THE BOTTOM. IN THIS CASE, DO NOT ADJUST TO THE MAXIMUM. AFTER DOING THIS, ADJUST ALL THE SCREWS PLACED IN THE PREVIOUS STEPS.

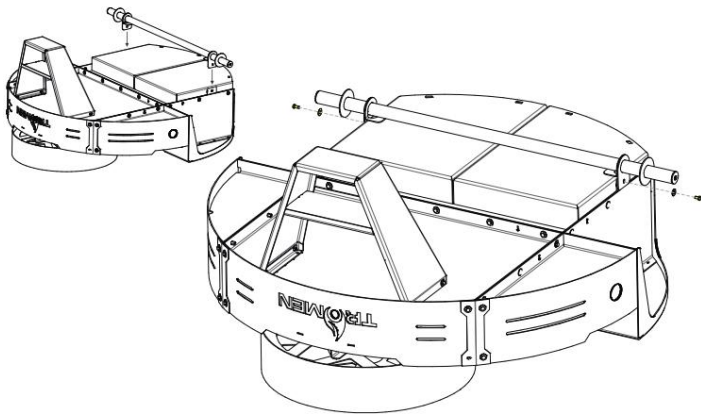
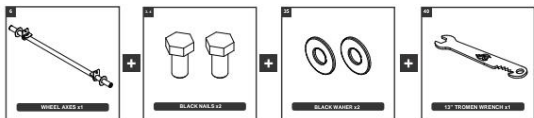


STEP 6: PLACE THE "FRONT LEG" WITH FOUR LONG SCREWS, FOUR WASHERS AND FOUR NUTS. THE SCREWS AND WASHERS WILL BE OUTSIDE THE FRONT LEG AND THE NUTS WILL BE PLACED INSIDE. WITH THE TROMEN WRENCHES ADJUST TO THE MAXIMUM.

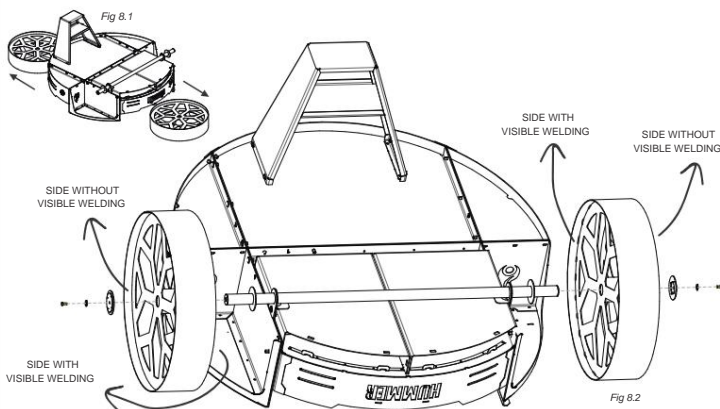
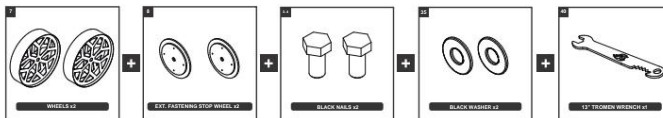


ASSEMBLY SEQUENCE

STEP 7: PLACE THE "WHEELS AXE" WITH TWO SCREWS AND TWO WASHERS. USE THE "TROMEN WRENCH" TO ADJUST THE SCREWS FULLY.

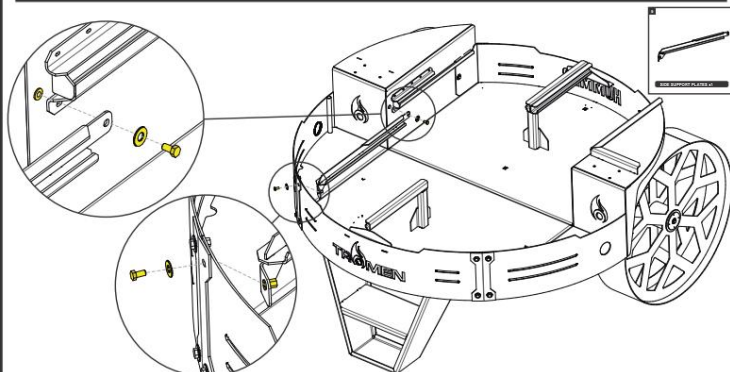
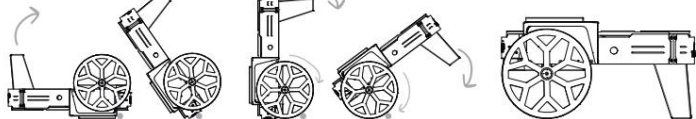


STEP 8: LIFT THE EQUIPMENT, REMOVE THE WHEELS AND PLACE THE AX MAKING SURE THAT THE SIDE IN WHICH THE WELDING IS (IMAGE 8.2) FACES THE INSIDE. THEN, PLACE THE "EXTERIOR FIXATION TOPS" AND ADJUST BOTH PARTS WITH ONE SCREW AND ONE WASHER PER SIDE.

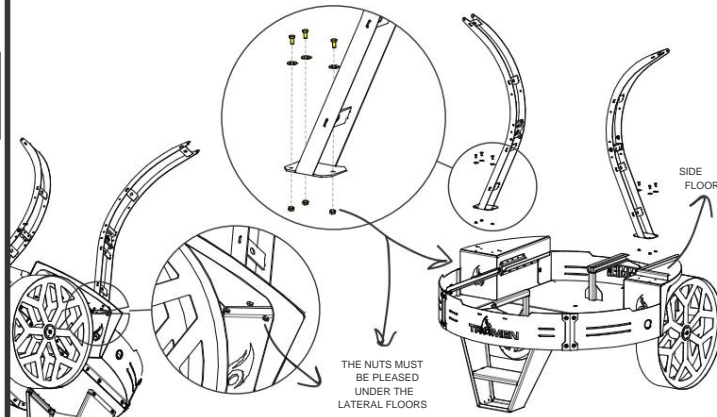
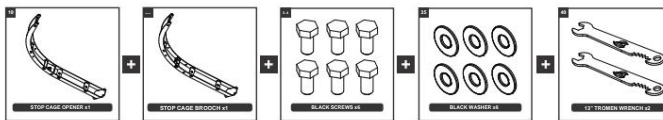


STEP 9: TURN THE "DUOMO HUMMER" 180°. IN ORDER TO DO THIS, LIFT THE FRONT LEG AND USE THE WHEELS AS CENTER PIVOT. THREE PEOPLE ARE NECESSARY TO MAKE THIS MOVEMENT.

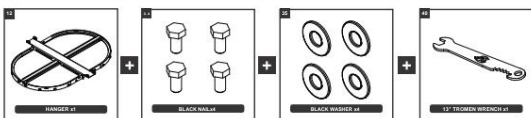
"USE WHEELS AS CENTER (PIVOT) TO TURN THE EQUIPMENT."



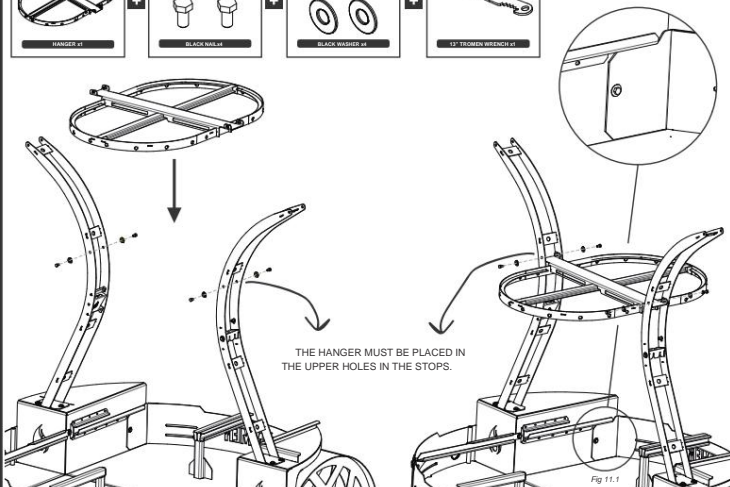
STEP 10: ASSEMBLE THE "CAGE STOPS" WITH THREE SCREWS, THREE WASHERS AND THREE NUTS EACH. THE NUTS MUST BE PLACED UNDER THE LATERAL FLOORS. MAKE SURE THAT YOU ADJUST THE SCREWS TO THE MAXIMUM SO THAT THE PIECES ARE FIRM ENOUGH.



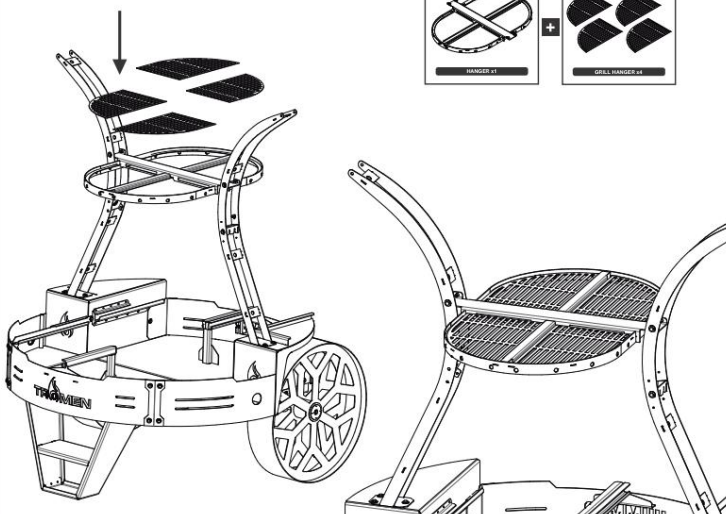
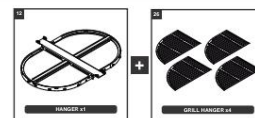
STEP 11: THE HANGER MUST BE PLACED WITH FOUR SCREWS AND FOUR WASHERS. NOTICE THE HOLES SHOWN IN THE IMAGES. PRESENT THE PIECE AND ADJUST WITH THE TROMEN WRENCH FULLY.



INSIDE THE EQUIPMENT YOU WILL NOTICE A HOLE (SHOWN IN IMAGE 11.1). PUT THE SCREW + ONE WASHER PER SIDE TO ASSEMBLE BOTH LATERALS.

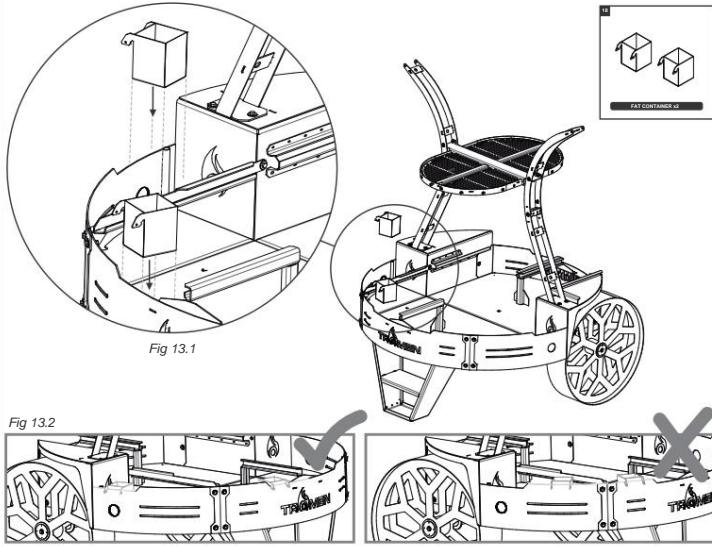


STEP 12: PLACE THE UPPER GRILLS. TO DO THIS, MAKE SURE THAT THE HANGER IS FIRM AND PUT THE MODULES IN THE RESPECTIVE POSITIONS.

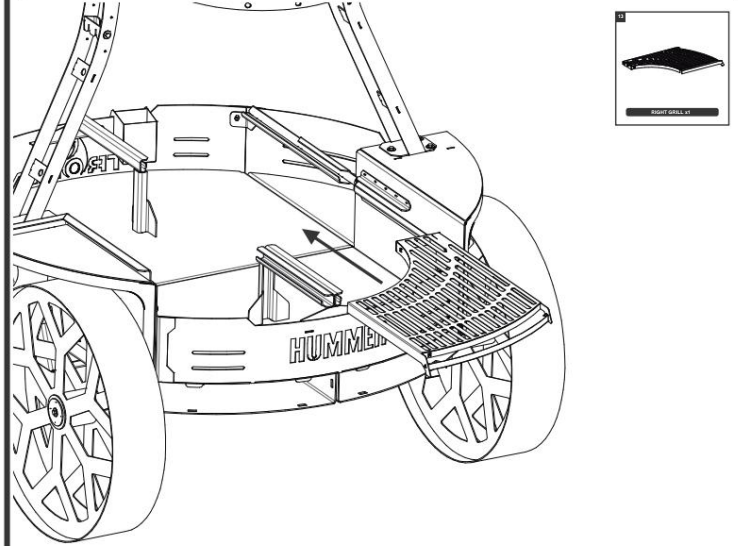


ASSEMBLY SEQUENCE

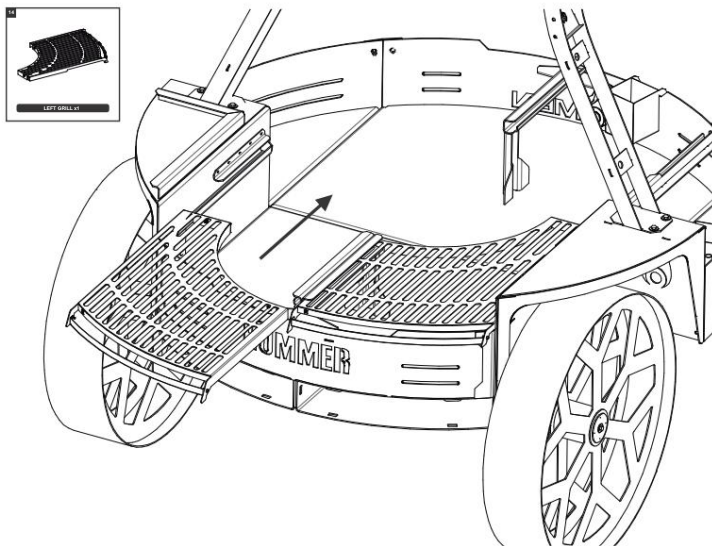
STEP 13: PLACE THE FAT CONTAINERS INSIDE THE EQUIPMENT. MAKE SURE THAT THEY ARE PLACED IN THE LOWER AREA UNDER THE WALL SO THAT THE PLATES CAN MOVE FREELY (Fig. 13.2)



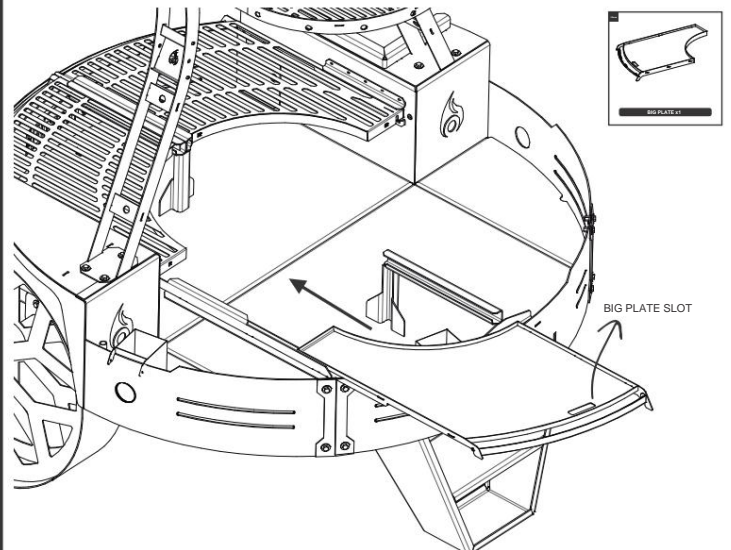
STEP 14: INSERT THE GRILLS, START WITH THE RIGHT GRILL MAKING IT SLIDES ALONG THE SLIDINGS TO THE BOTTOM.



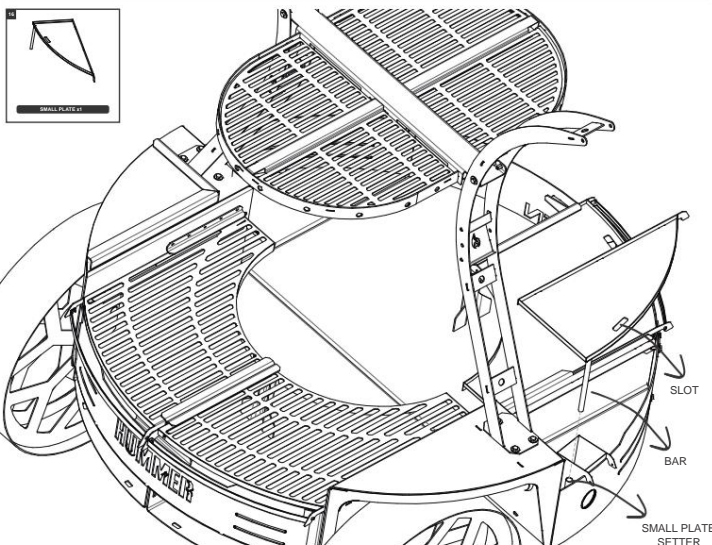
STEP 15: REPEAT THE OPERATION WITH THE LEFT GRILL. SLIDE IT TO THE BOTTOM UNTIL IT TOUCHES THE TOP.



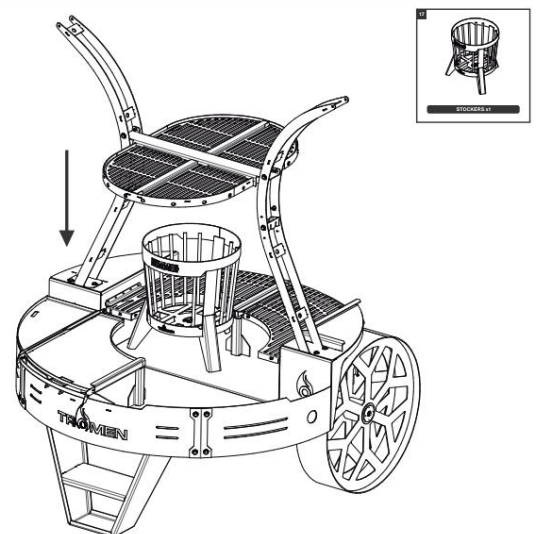
STEP 16: IN THE SAME WAY THAT WITH THE GRILLS, THE PLATE MUST BE PLACED IN THE FRONT OF THE SLIDINGS. MAKE SURE THAT THE FAT CONTAINER IS UNDER THE SHOWN SLOT.



STEP 17: TO PLACE THE SMALL PLATE, INSERT THE BAR IN THE PLACE SHOWN IN THE IMAGE. THE SAME AS WITH THE BIG PLATE, MAKE THE SLOT MATCH WITH A CONTAINER.

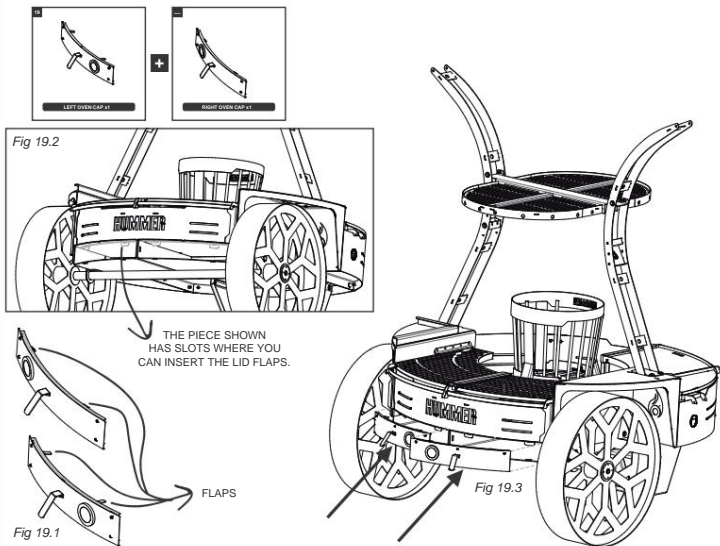


STEP 18: TAKE THE STOKER AND PLACE IT IN THE DUOMO HUMMER CENTER.

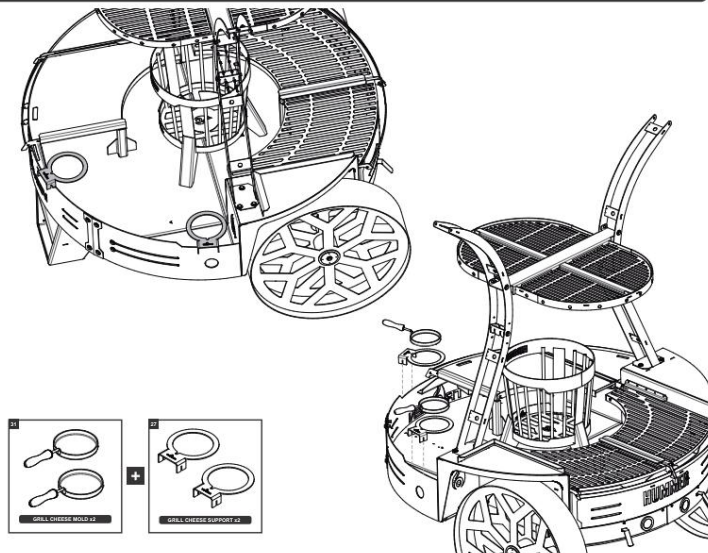


ASSEMBLY SEQUENCE

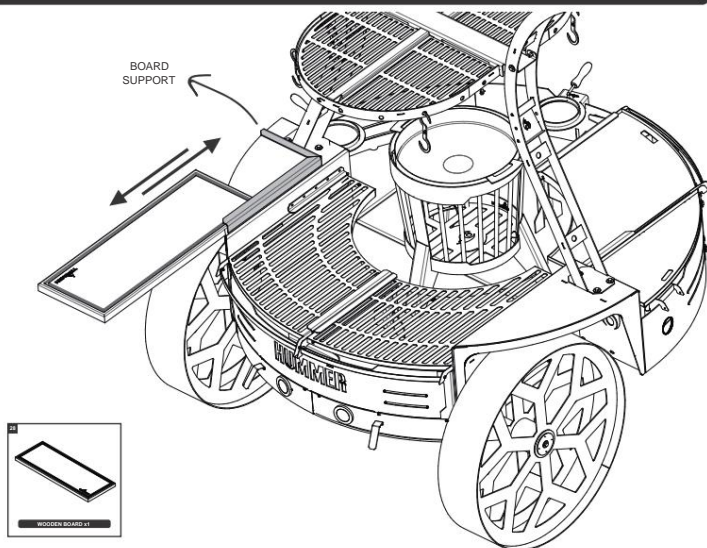
STEP 19: TO PLACE THE OVEN LIDS IT'S IMPORTANT TO NOTICE THE FLAPS (IMAGE 19.1) THAT HAVE TO BE INSIDE THE SLOTS (IMAGE 19.2) WHICH ARE INSIDE THE OVENS. MAKE SURE THAT THE PYROMETER ARE IN THE CENTER OF THE EQUIPMENT (IMAGE 19.3).



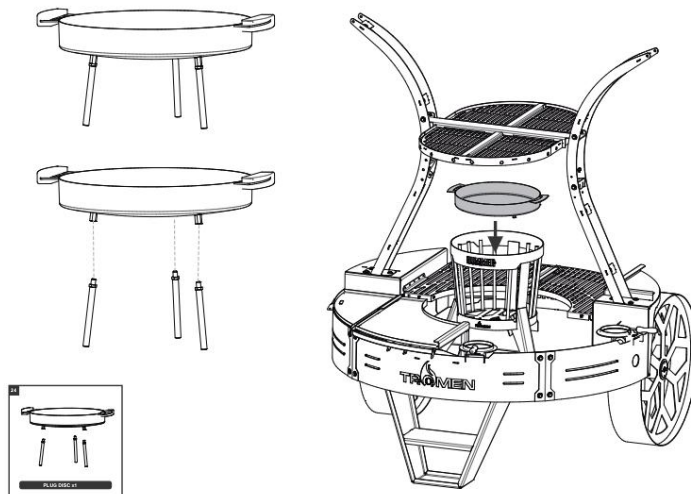
STEP 20: TO PUT THE GRILL CHEESE FRAMES INSERT THE SLOTS IN THE DESIRED WALL. MAKE SURE NOT TO INTERFERE WITH THE CROSS, GRILLS OR PLATES. THEY CAN ALSO BE PLACED IN THE STOKER.



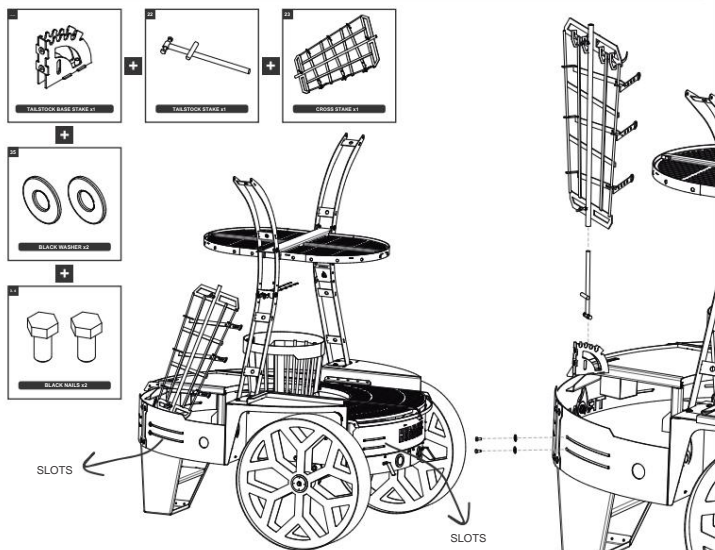
STEP 21: INSERT THE WOODEN BOARD IN THE SHOWN SUPPORT. IT CAN BE PLACED AND REMOVED SEVERAL TIMES WITHOUT DIFFICULTIES.



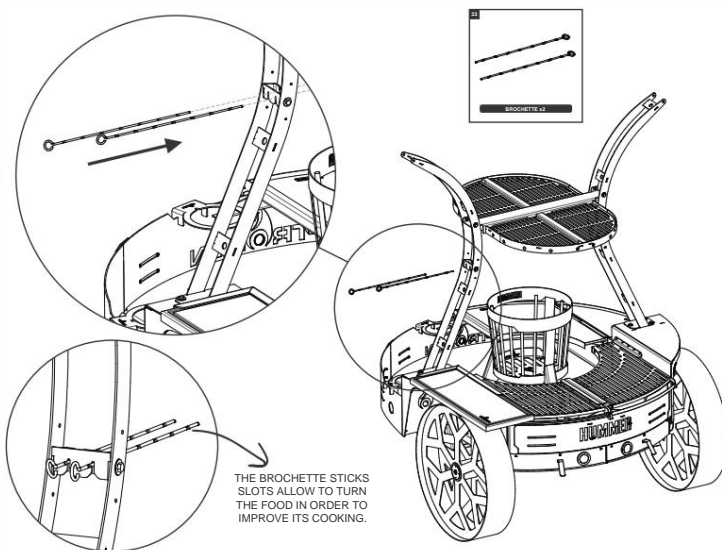
STEP 22: PLACE THE PLOUGH DISC IN THE DESIRED POSITION. IN CASE YOU PLACE THE STOKER, IT'S ADVISABLE TO REMOVE THE LEGS.



STEP 23: THE CROSS STAKE CAN BE PLACED IN FOUR POSITIONS USING THE SLOTS THAT ARE MEANT FOR THIS. ADJUST THE SETTER IN THE DESIRED POSITION WITH TWO WASHERS AND TWO SCREWS.

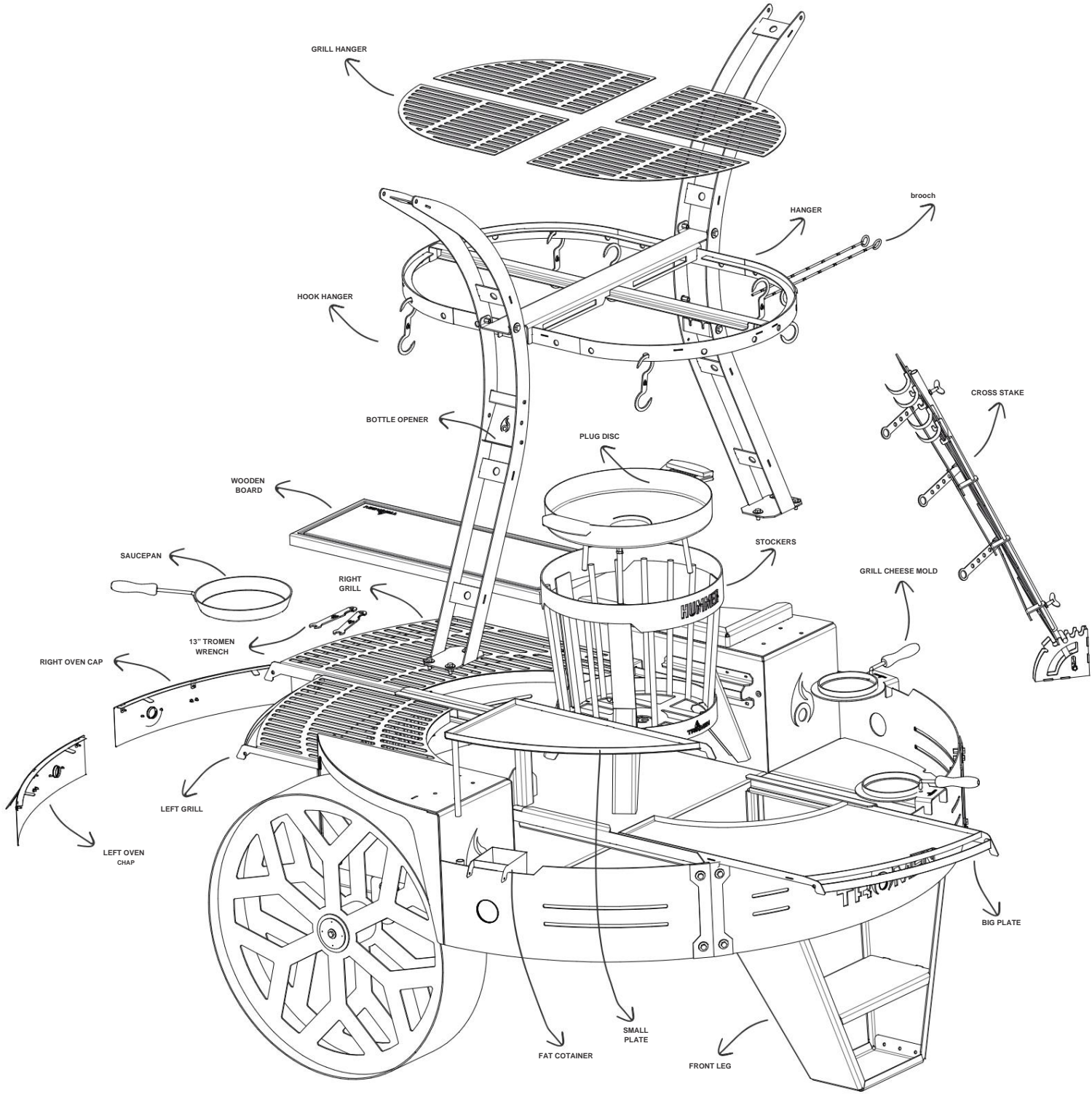


STEP 24: LASTLY, PLACE THE BROCHETTE STICKS IN THE SHOWN SUPPORT (IMAGE 24.1).



*EXTRA SCREWS, WASHERS AND NUTS ARE INCLUDED IN THE PACKAGING.

DISMANTLING



WARRANTY

TO VALIDATE THIS WARRANT, YOU WILL HAVE TO REGISTER ONLINE ON OUR WEBSITE WWW.TROMEN.COM WITHIN THE 10 DAYS AFTER THE EQUIPMENT WAS PURCHASED. OTHERWISE, THIS WARRANT WON'T BE VALID. REPORT ANY FLAW TO: SERVICIOTECNICO@TROMEN.COM.

WARRANTY

This guarantees the original purchaser of this TROMEN coal grill that this equipment will be free of fault both in its goods as well as in its manufacturing as long as it is assembled and operated following the instructions presented here since the purchase moment and sticking to the following :

Enameled Pieces 1 year

All the other parts: This product is thought to get rusty as time passes by. For this reason the protection (lacquer) that the pieces have will be lost with the first start.

This limited warranty does not cover flaws in the equipment paint if this product is kept outdoors since this will help the early deterioration of the surface cover applied. TROMEN could request prove of reliable purchase date. **DUE TO THIS, YOU SHOULD KEEP YOUR PURCHASE RECEIPT AND THE REGISTRATION LABEL OF THE EQUIPMENT.**

This warrant is restricted to the replacement of parts that may turn faulty under usage and normal service, and which, under full TROMEN's satisfaction, are found faulty. Once TROMEN verifies the fault and approves the claim, the piece will be replaced free of charge. The components or the equipment replacement will be done in the place where the product was purchased. The reception of the equipment will be agreed between the seller and the purchaser.

In case field supervisions are required for products within the 60 days from the purchase date, this service will be free of charge for the purchaser provided there are manufacturing faults. On the contrary, the expenses will be covered by the purchaser.

This limited warranty does not cover failures or operating troubles due to accidents, overuse, mishandling, alteration, wrong use, vandalism, inadequate installation, maintenance or incorrect service or due to lack of normal and regular maintenance. This limited warranty does not cover the decline or damages due to weather conditions such as hail, hurricanes, earthquakes, floods or to the fading due to exposure to chemical substances either directly or because of conditions in the environment.

There is no other express warrant other than the one found here and any other implicit commerce warrants or usability are limited in duration to the time stated in written by this limited warrant. TROMEN does not take responsibility for any special indirect damage, emerging, product damages caused by the purchaser or third parties or any other incidental damage. TROMEN does not authorize any person or company to take over any obligation and responsibility related to the purchase, installation, usage, withdrawal, refund or replacement of the equipment in TROMEN's name. No representation will be linked to this company.

REPORT ANY DEFECTS TO:

serviciotecnico@tromen.com



TROMEN®



The equipment's painted pieces must be treated.
When it is started, let it on for fifteen minutes only once. Then, this procedure won't be repeated again.

This product was thought to be used outdoors and this is why the equipment looks rustic.
Bear in mind that as time passes by, the surface will look rusty, which won't affect the equipment's operation.



Do not burn plastic derived from oil.



Do not wet, in contact with humidity the pieces can be damaged.



Choose a dry place for the equipment's storage keeping it away from dust and rain.

COMPONENTS CHECKLIST

YAM	QUANTITY	CHECK
RIGHT LATERAL FLOOR	1	✓
LEFT SIDE FLOOR	1	✓
WHEELS	2	✓
SIDE SUPPORT PLATES	1	✓
HANGER GRILLS	4	✓
GRILL CHEESE FRAME	2	✓
SAUCEPAN	1	✓
TROMEN FLOOR	1	✓
PLOUGH DISC WITH LEGS	1	✓
WOODEN BOARD	1	✓
CROSS STAKE	1	✓
SMALL PLATE	1	✓
FAT CONTAINER	2	✓
HUMMER FLOOR	1	✓
HANGER	1	✓
WHEELS AXES	1	✓
STOKER	1	✓
STOP CAGE	2	✓
FRONT LEG	1	✓
EXTERIOR FIXATION TOP WHEEL	2	✓
TROMEN WALL JOINT	2	✓
LEFT OVEN CAP	1	✓
RIGHT OVEN CAP	1	✓
GRILL CHEESE FRAME	2	✓
DUOMO HANGER HOOK	6	✓
brooch	2	✓
STAKE SETTLER	1	✓
HOOKS STAKE	4	✓
CHAINS	3	✓
BLACK WASHER	55	✓
BLACK NAILS	55	✓
BLACK NUT	12	✓
TROMEN WRENCH 13"	2	✓
POKER	1	✓
SHOVEL	1	✓
LEFT GRILL	1	✓
RIGHT GRILL	1	✓
BIG PLATE	1	✓