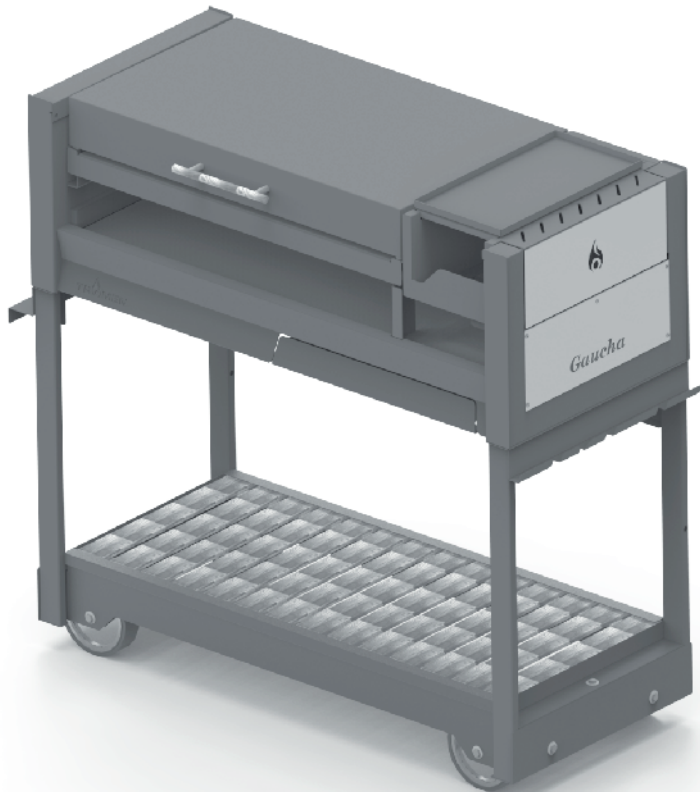


GOURMET LINE

GAUCHA GRILL

PROPIETOR GUIDE

Don't throw this away. It has important information about your product.



REV:338

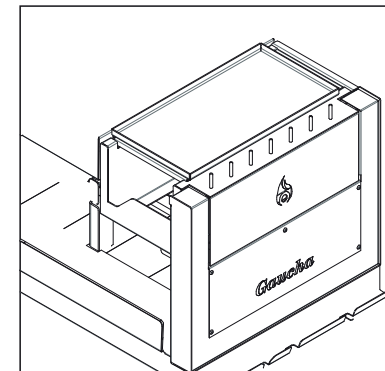
94-002-059 MNL- GAUCHA

You have bought the highest quality and design product.

It doesn't matter how experienced the grill man is, with the TROMEN grills everyone can transform grilled meat in a gourmet dish.

The grill is added to the segment of grills that don't require previous installment and they are suitable for any place in the house. In contrast with the current grills, its unique and innovating design and its modern style upgrades the place where it is set.

NOTE: the area shown in the following illustration is the most exposed to fire and ember, here the paint will deteriorate with the first uses.



TO VALIDATE THIS WARRANT, YOU WILL HAVE TO REGISTER ONLINE ON OUR WEBSITE www.TROMEN.com WITHIN THE 10 DAYS AFTER THE EQUIPMENT WAS PURCHASED. OTHERWISE, THIS WARRANT WON'T BE VALID.

WARRANT

This guarantees the original purchaser of this TROMEN coal grill that this equipment will be free of fault both in its goods as well as in its manufacturing as long as it is assembled and operated following the instructions presented here since the purchase moment and sticking to the following:

Enameled cooking grill 1 year

Paint 180 days

All the other components. 1 year

This limited warrant doesn't cover paint failure if the equipment is kept outdoors since this can affect the applied surface termination prematurely.

TROMEN could request prove of reliable purchase date. DUE TO THIS, YOU SHOULD KEEP YOUR PURCHASE RECEIPT AND THE REGISTRATION LABEL OF THE EQUIPMENT.

This warrant is restricted to the replacement of pieces that may turn faulty under usage and normal service, and which, under full TROMEN's satisfaction, are found faulty. Once TROMEN verifies the fault and approves the claim, the piece will be replaced free of charge. The components or the equipment replacement will be done in the place where the product was purchased. The reception of the equipment will be agreed between the seller and the purchaser.

In case field supervisions are required for products within the 60 days since the purchase date, this service will be free of charge for the purchaser provided there are manufacturing faults. On the contrary, the expenses will be covered by the purchaser.

There is no other express warrant other than the one found here and any other implicit commerce warrants or usability are limited in duration to the time stated in written by this limited warrant. This limited warrant does not cover flaws or operating troubles due to accidents, overuse, mishandling, alteration, wrong use, vandalism, inadequate installment, maintenance or incorrect service or due to lack of normal and regular maintenance.

This limited warrant does not cover the decline or damages due to weather conditions such as hail, hurricanes, earthquakes, floods or to the fading due to exposure to chemical substances either directly or because of conditions in the environment.

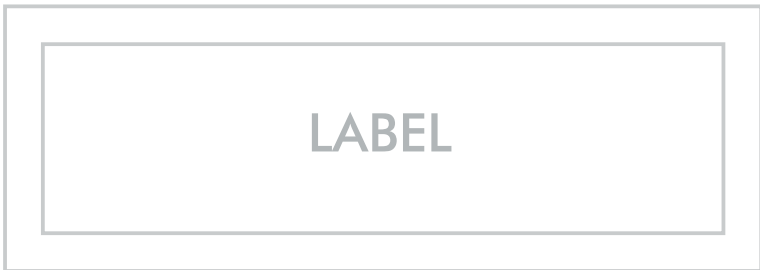
There is no other express warrant that is not the one found here and any implicit warrant of commerce and usage aptitude is limited to the period of time covered that is stated in written in this limited warrant. TROMEN does not take responsibility for any especial indirect damage, emerging, product damages caused by the purchaser or third parties or any other incidental damage.

TROMEN does not authorize any person or company to take over any obligation and responsibility related to the purchase, instalment, usage, withdrawal, refund or replacement of the equipment in TROMEN's name. No representation will be linked to this company.











REPORT ANY FLAW TO:

SERVICIOTECNICO@TROMEN.COM

The following label identifies your new product, remember to keep it for future references related to the equipment.



NOT FOLLOWING THE DANGER AND PRECAUTION WARNINGS DESCRIBED IN THIS OWNER'S GUIDE CAN CAUSE SERIOUS BODY INJURIES OR DEATH, OR FIRE THAT CAN THREATEN LIFE OR CAUSE DAMAGE.

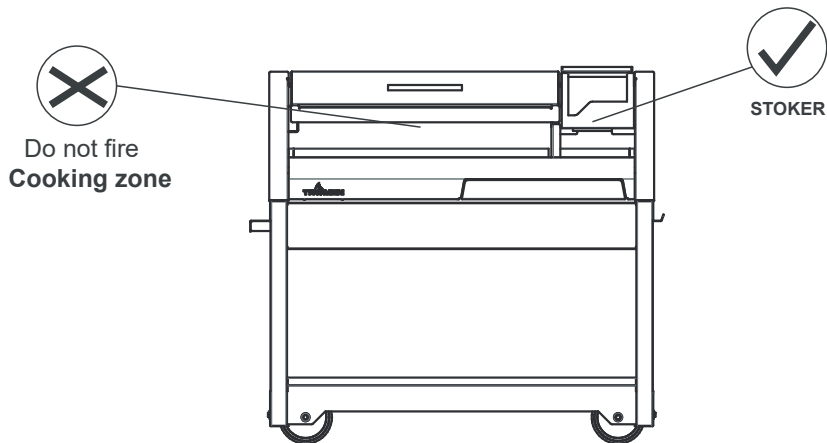
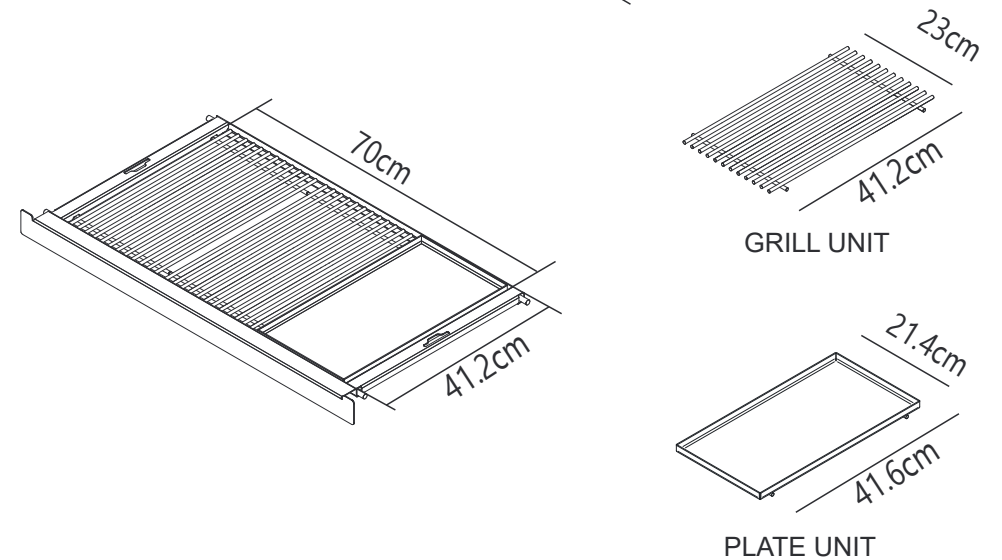
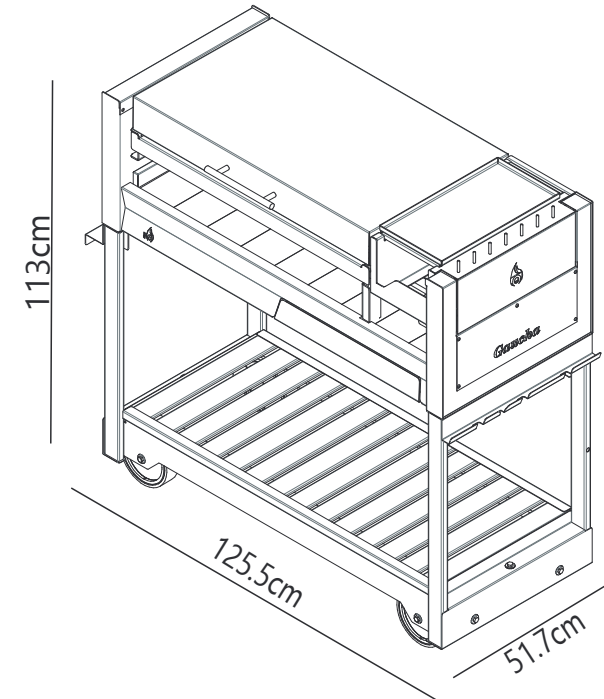
-  The security symbols will alert you on important information
-  Read all the security information in this owner's guide before starting the fire in the grill.
-  Do not use it indoors! This grill is meant to be used only outdoors. If you use it inside your house, smoke and gases will accumulate and this may cause fire, house damages, serious or fatal intoxication.
-  Never leave babies, kids or pets unsupervised near a hot or lit grill.
-  Do not remove the ashes until the charcoal has burnt completely, is off and the grill is cold.
-  Do not try to move the grill when it is hot. Wait until it cools down before moving it.
-  Never add ignition liquid or any kind of inflatable fuel or vegetal charcoal soaked in the same warm or hot vegetal charcoal.
-  Keep the grill on a safe and level surface place all the time away from fuel materials.
-  Do no throw hot charcoal away where it could be stepped on or where it can be in risk of fire.
-  Do not throw charcoal or ashes until they are fully off.

- ⚠ Do not put the grill away until the ashes and charcoal are fully off.
- ⚠ Using abrasive cleaning products on the cooking grills or on the grill itself will damage the surface termination.
- ⚠ The grill will have to be fully cleaned on a regular basis.

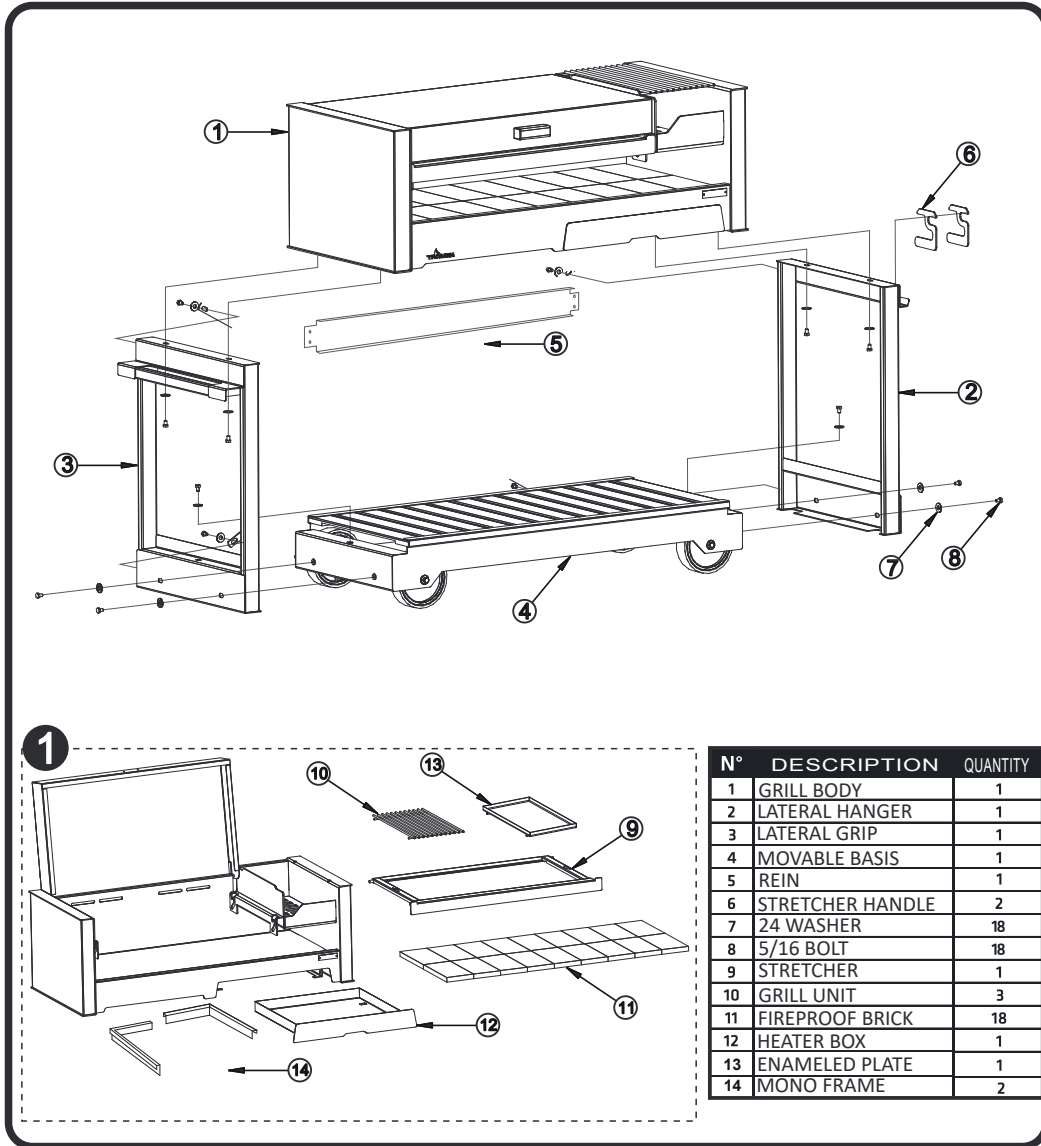
⚠ SAFETY RECOMMENDATIONS FOR THE HANDLING OF MEALS

- ⚠ Wash your hands with hot water and soap before you start to prepare any dish and after having handled meat, birds and fresh fish.
- ⚠ Do not defrost meat, fish or birds at room temperature or on the cooking table. Defrost the food in the refrigerator.
- ⚠ Do not place cooked meals in the same container in which you placed raw food.
- ⚠ Wash with water and soap all the containers and cooking utensils that have been in contact with meat or raw fish and wash them.

When installing and using you TROMEN GAUCHA grill bear the following dimensions in mind.



Your new TROMEN GAUCHA grill is made up of the following components.



Follow the next instructions to assemble your GAUCHA TROMEN grill.

When you finish placing the two mono frames which protect the grill's laterals . from burning holding the fire in the center

- Place in the highlighted area.

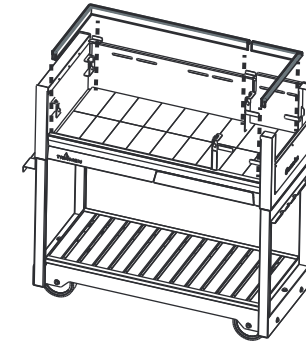
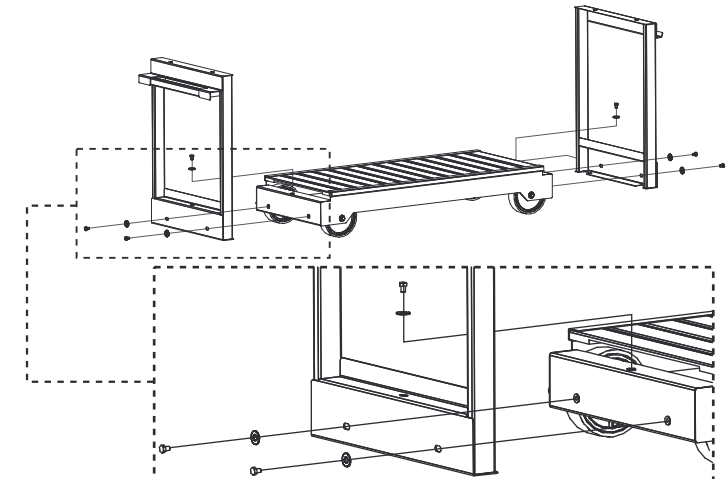


Fig 1. Place the laterals on the support and fix the bolts with their corresponding washers to the clinched screws that are in the extremes of the basis.



The placement of the laterals does not have a marked direction since the basis extremes are the same.

Fig 2. Assembled basis.

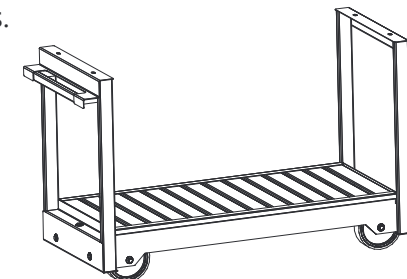
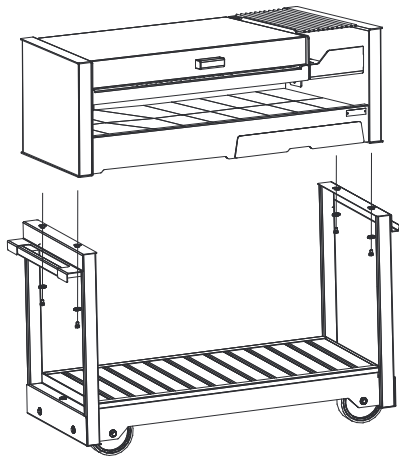


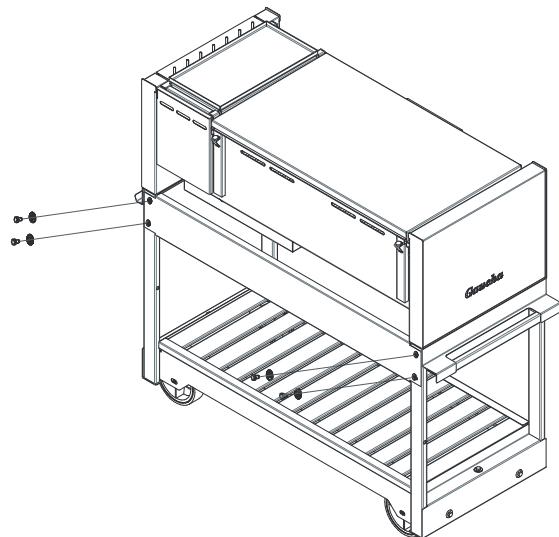
Fig.3 Place the body of the grill on the support and fix the bolts with their corresponding washers to the clinched screws that are inside.



i When placing the grill unit check (facing the front) that the lateral handle is on the left and that the lateral hanger is on the right.

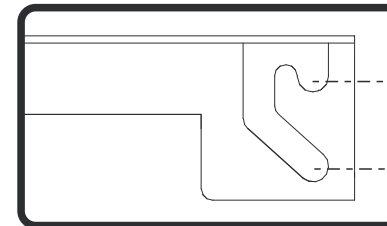
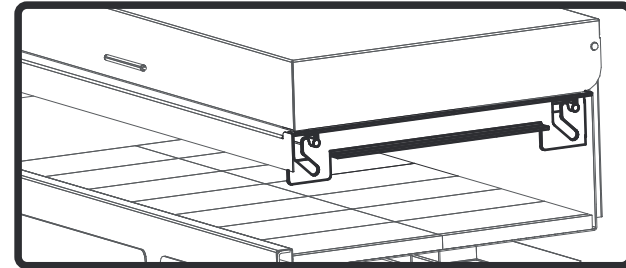
! In case it is necessary remove the bricks to lighten the unit and to make the installment of the grill unit easy.

Fig.4 Place the rein and fix the bolts with their corresponding washers to the clinched screws that are in the laterals.



Double cooking height

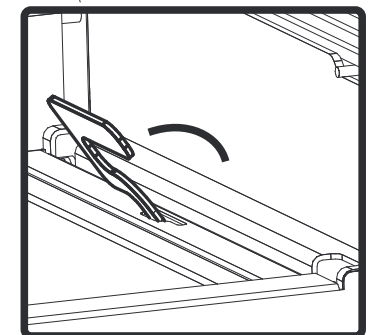
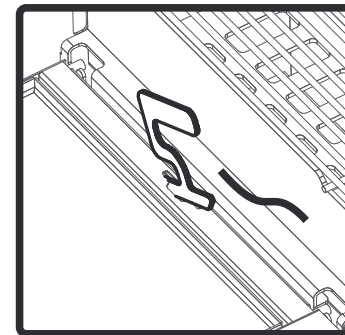
Your TROMEN grill has two heights for the stretcher which allows you to regulate the cooking according to your needs and the grill man liking.



Slow cooking

Fast cooking

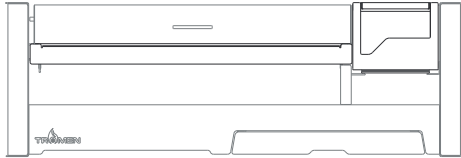
The handling of the cooking stretcher to regulate the height or for its assembly or dismantling will be done with the two handles provided which slide in the lateral openings as can be seen in the illustration.



These two handles shouldn't be placed for good while the grill is being used, the handles can deteriorate.

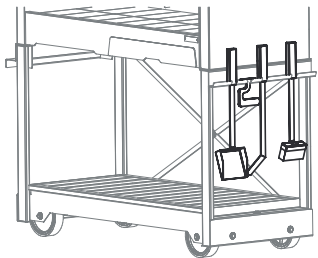
TROMEN DESIGN

Your new grill was thought by the TROMEN design team considering every aspect which make the art of cooking unique. This is why, added to the renewed aesthetics, TROMEN added the following details to its grills.

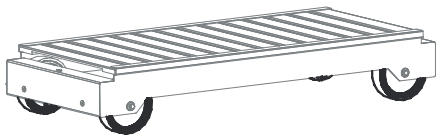


Less room, more style, more practicality:

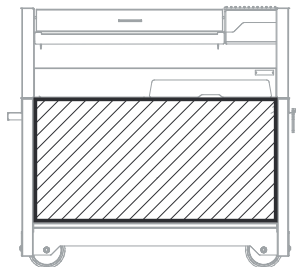
Your TROMEN grill has now an enameled stoker which guarantees the highest quality and product's durability.



More utility:
Now your grill is also your kitchen helper since it has hangers for your TROMEN accessories, for the handle and the stretcher's grip.



More mobility :
With four wheels and a strong support with a steel handle. Now you can move the grill to the place chosen in a fast and simple way.



More room:
The usable room of the support was increased achieving more height and more place to place all the cooking components with ease.

GENERAL RECOMMENDATIONS



The grill leaves the factory with pre-treated paint.

It's likely that the first start-up of the grill causes a smell of burnt paint, this is due to the fact that the paint is treated while in use, this is a normal event and it won't happen in the next start-ups.

repetirse en las siguientes puestas en marcha.

During the process of final treatment, don't touch the surface since the pain might be damaged.



Don't burn plastic that is an oil by-product.

Don't start a fire on the grill. Do it in the stoker.



Don't wet, in contact with humidity it is likely that the equipment gets rusty.



Choose a dry place to keep the equipment protecting it from the rain and dust.

WWW.TROMEN.COM

serviciotecnico@tromen.com

CHECKLIST OF COMPONENTS

DESCRIPTION	QUANTITY	CHECK
GRILL BODY	1	
LATERAL STOKER	1	
LATERAL GRIP	1	
MOVABLE SUPPORT	1	
REIN	1	
HANDLES STRETCHER	2	
24 WASHER	18	
5/16 BOLT	18	
WOODEN FLOORING	1	
FIREPROOF BRICK	18	
ENAMELLED PLATE	1	
ENAMELLED STOKER	1	
STRETCHER	1	
GRILLED PIECE	3	
MONO FRAME	2	

CHECKLIST DONE BY