

General recommendations



Do not burn plastics derived from petroleum.



Do not get wet, in contact with moisture, the equipment will oxidize.



Choose a dry place to store it, protecting it from the elements and climatic factors (rain, dust, etc.)

OVAL DUOMO

WWW.TROMEN.COM

serviciotecnico@tromen.com

COMPONENT CHECKLIST

NAME	AMOUNT	CHECK
SLADDED PLATE		
GLAZED GRILL MODULE	1	
OVAL DUOMO BODY		
HEX HEAD SCREW M8	2	
BASE LEG	1	
WRENCH	4 4 1	

CHECK CARRIED OUT BY:

GOURMET LINE

DUOMO OVAL OWNER'S GUIDE

Do not discard. Contains important information about your product



TROMEN®

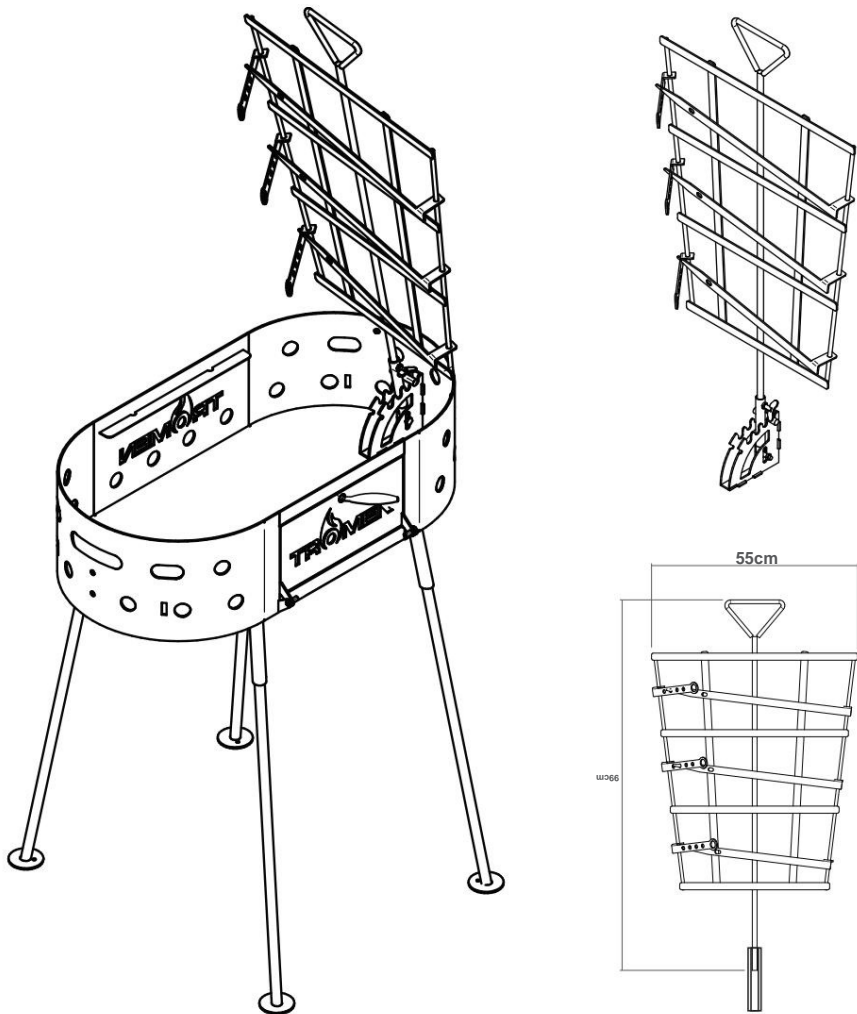
OVAL DUOMO ACCESSORY

You can purchase additional accessories for your DUOMO OVAL:

TO Cross Grill:

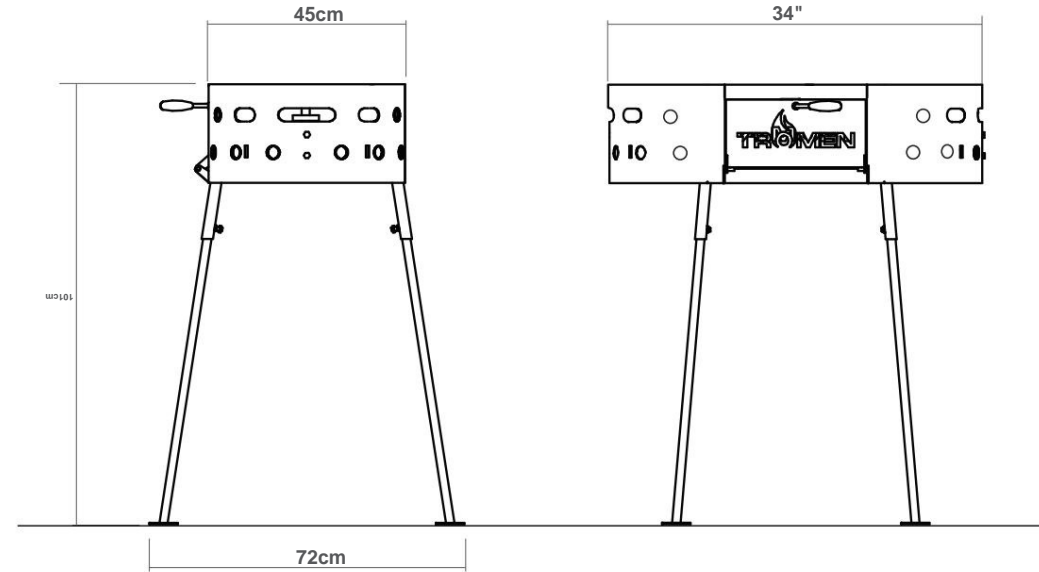
Allows cooking cross cuts.

It has 3 rods that tighten giving a better support to the piece.
Includes a tilt positioner base for the rotisserie.



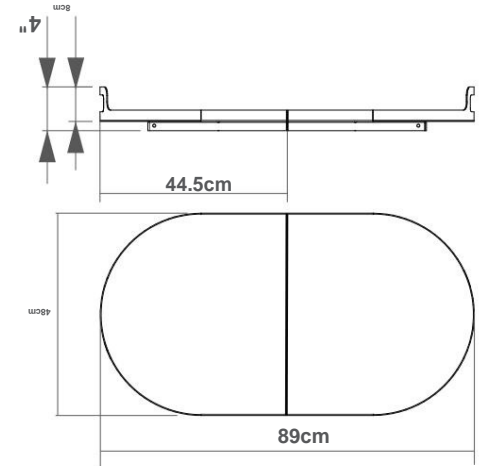
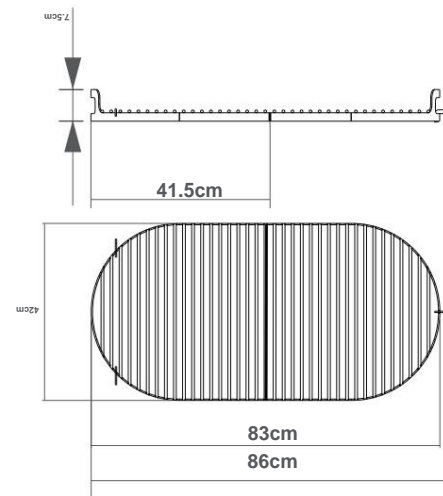
OVAL DUOMO FEATURES

When installing and using your TROMEN® DUOMO OVAL grill, take into account the following dimensions.

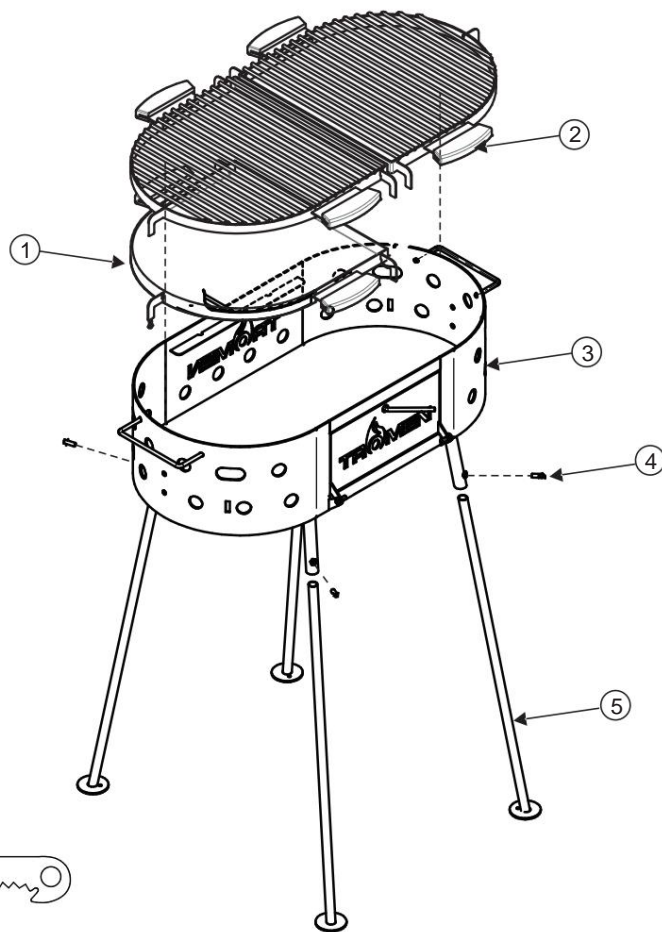


GRILL MODULE

IRON MODULE



Your new TROMEN DUOMO OVAL consists of the following components



N°	Denominacion	Cantidad
1	SLADDED PLATE	1
2	GLAZED GRILL MODULE	1
3	OVAL DUOMO BODY	1
4	HEX HEAD SCREW M8	4
5	BASE LEG	4
6	WRENCH	1

Follow the instructions below to assemble your TROMEN® DUOMO OVAL grill

To facilitate assembly, support the grill body on a surface with a height equal to or greater than the vertical side legs to begin assembling the base.

