

LINEA GOURMET

CHULENGO GRILL

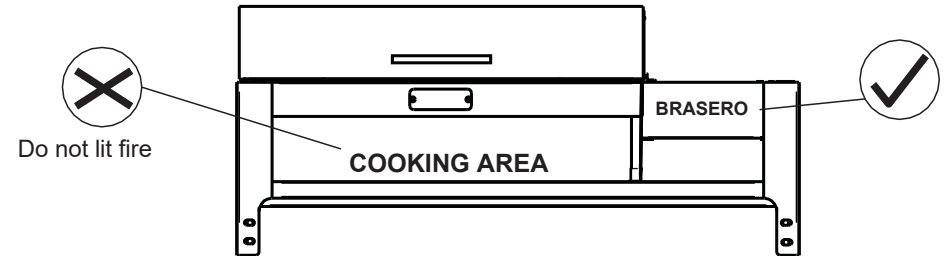
Owner's Manual

Do not discard. Contains important information about your product.



⚠ ATTENTION

- ⚠ Perform the fire always in the stoker and NO in the cooking zone.



- ⚠ Keep the lid open when lighting the fire.

The zones indicated are the more prone to deterioration of paint by action of fire in direct contact with the coating.

■ areas prone to the deterioration

TROMEN[®]

TO VALIDATE THE WARRANTY, YOU MUST REGISTER ELECTRONICALLY THROUGH OUR WEBSITE WWW.TROMEN.COM WITHIN 10 DAYS AFTER THE PURCHASE OF THE EQUIPMENT, OTHERWISE IT WILL BE VOID.

WARRANTY

TROMEN® hereby warrants to the ORIGINAL PURCHASER of this ANGUS CHICA 2019 BASE that it will be free from defects in both materials and manufacturing, as long as it is assembled and operated in accordance with the accompanying printed instructions, from its date of purchase and according to the following:

Paint..... 180 days

All the rest of parts..... 1 year

This limited warranty does not cover paint failure if the equipment is stored outdoors, as such an event will prematurely degrade the applied surface finish. TROMEN® may require proof of date of purchase. THEREFORE, YOU SHOULD KEEP YOUR PURCHASE RECEIPT OR INVOICE AND THE EQUIPMENT REGISTRATION LABEL.

This Warranty is limited to the replacement of parts that are defective under normal use and service and which, when examined, indicate, to TROMEN®'s full satisfaction, that they are indeed defective. If TROMEN® confirms the defect and approves the claim, it will replace the part free of charge.

The change of the components, or the product will be made through the point of sale, where the equipment was purchased, which will coordinate its withdrawal with the client.

In the event that field inspections are required for the products within a period of 60 days from the date of purchase, these are

not they will have a cost for the client whenever the failure is caused by manufacturing problems; Otherwise, all expenses incurred will be borne by the user.

This limited warranty does not cover failure or operational difficulties due to accident, abuse, misuse, alteration, misuse, vandalism, improper installation, improper maintenance or service, or failure to perform normal and routine maintenance.

This Limited Warranty does not cover deterioration or damage caused by inclement-type conditions such as hail, hurricanes, earthquakes or floods nor discoloration due to exposure to chemical substances either by direct contact or by the same contained in the atmosphere.

There are no express warranties other than those stated herein, and any implied warranties of merchantability and fitness for use are limited in duration to the coverage time of this express written Limited Warranty.

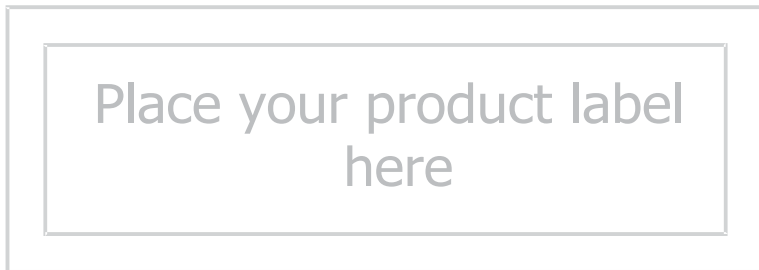
TROMEN® is not responsible for any special, indirect, consequential, property damage, personal, third party or any other incidental damage.

TROMEN® does not authorize any person or company to assume on its behalf any obligation or liability in connection with the sale, installation, use, removal, return or replacement of its equipment, and no such representation shall be binding on TROMEN®.

REPORT ANY PRODUCT ISSUES:

SERVICIO TECNICO@TROMEN.COM

The following label identifies _ _ to his new product remember Keep it for future reference about it.



FAILURE TO OBSERVE DANGERS, WARNINGS AND CAUTIONS CONTAINED IN THIS OWNER'S MANUAL MAY RESULT IN SERIOUS BODILY INJURY OR DEATH, FIRE OR FIRE CAUSING DAMAGE



The SYMBOLS OF SECURITY (⚠) it will alert of important information



Read all the information of security contained in this Guide from the Owner before lighting the fire in the grill.



Do not use it inside the house! This grill is for outdoor use only. If used inside of the home, HE will accumulate fumes and gases that they can cause serious poisoning or death, fire or damage to the home.



Never leave to you drink, children either pets neglected near of a grill turned on or hot.



Do not try to move the hot grill. Wait for the grill to cool down before moving it.



Never add liquid lighter either any guy of fuel flammable, either charcoal impregnated therewith to hot or warm charcoal.



You has to proceed with careful when operate his grill. Will be hot while is cooking and should never be left unattended while in use.



No withdraw the ashes until so much he coal HE is burned of the all and is completely off and the grill is cool.

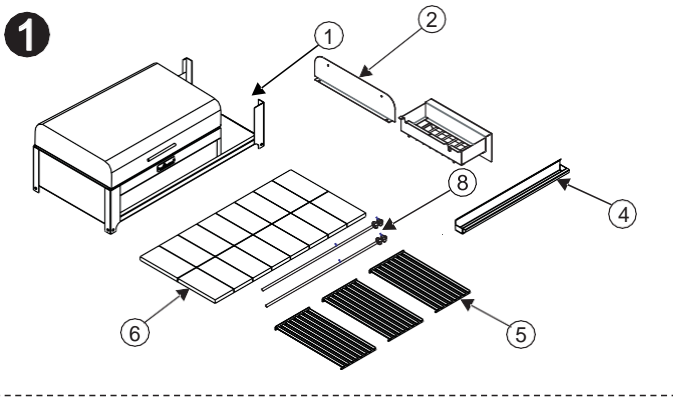
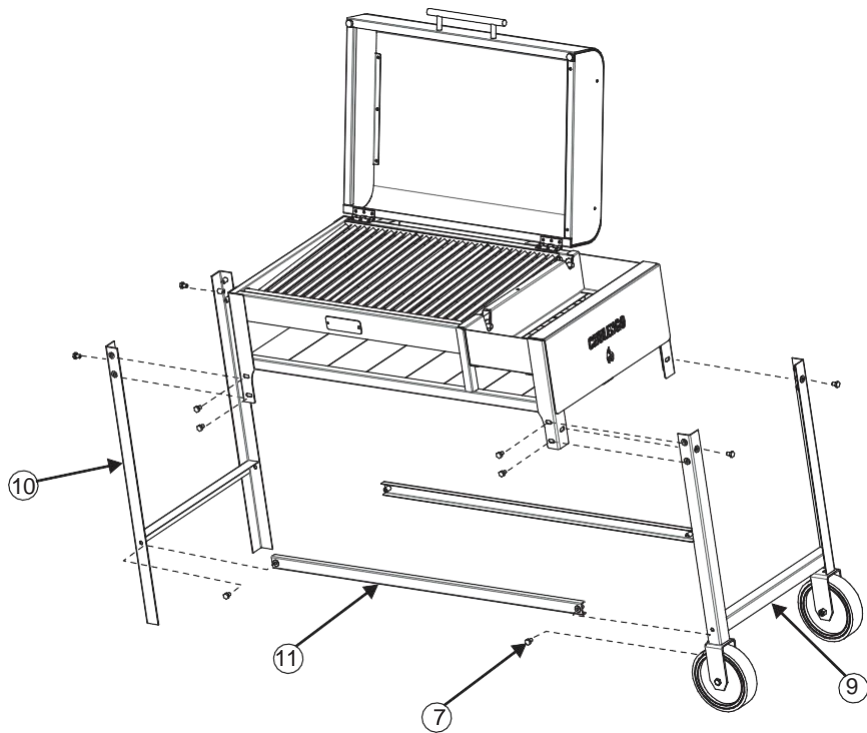


Keep up in all moment the grill about a surface safe and to level, far away of combustible materials.



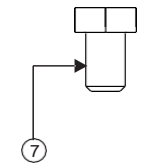
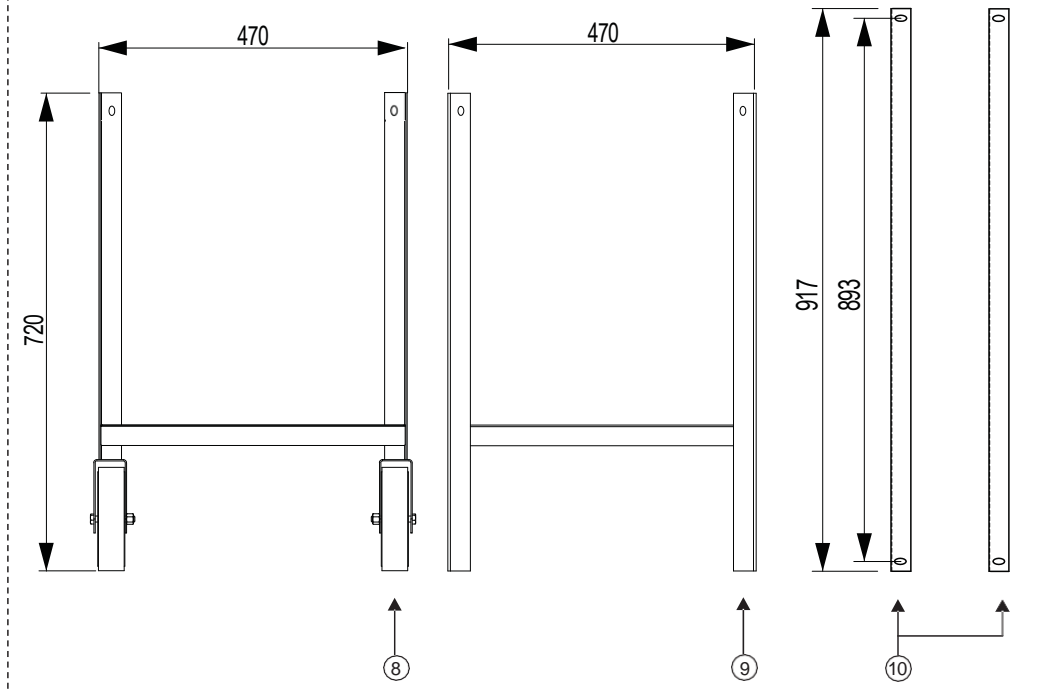
Do not dispose of hot coals where they could be stepped on or present a fire hazard. Wait that the cool down is the advisable.

His new grill TROMEN® CHULENGO is formed by the following components.



N°	Denominacion	Cantidad
1	CUERPO PARRILLA	1
2	SIDE TOP CRAZY	1
3	STOKER	1
4	GREASY	1
5	GRILL MODULE	3
6	FIRE BRICKS	16
7	SCREWS HEXAGONAL 5/16	16
8	FRAME GRATE	2
9	Side vertical With Wheels	1
10	Side vertical no wheels	1
11	REIN HALF LOWER	2

2 Stand set



N°	Denominacion	Cantidad
7	5/16" HEX SCREW	16
8	Vertical Side With Wheels	1
9	Vertical Side Without Wheels	1
10	LOWER MIDDLE REIN	2

IMAGES NO CONTRACTUAL - COMPONENTS SUBJECTS TO CHANGES WITHOUT PREVIOUS WARNING

SETTING UP CHULENGO GRILL

follow the following instructions for to assemble his grill TROMEN®chulengo

To facilitate assembly, rest the grill body on a surface with a height equal to or greater than the vertical side legs (8) and (9) to begin assembling the base.

fig 1: Submit he upright side with wheel (8) and Side vertical without Wheel (9), Place the Rieda half lower (10) and tighten them firmly with the 5/16" hex screw.

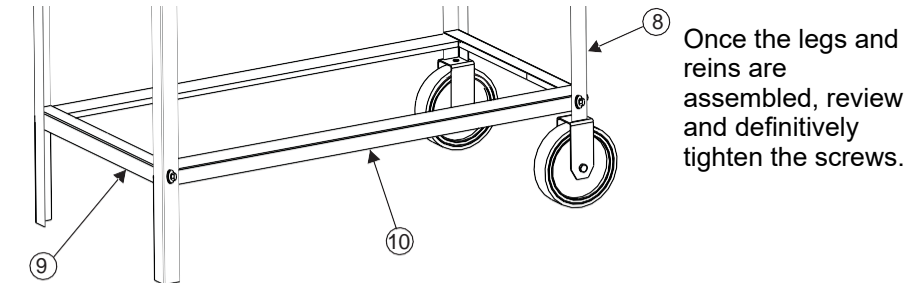
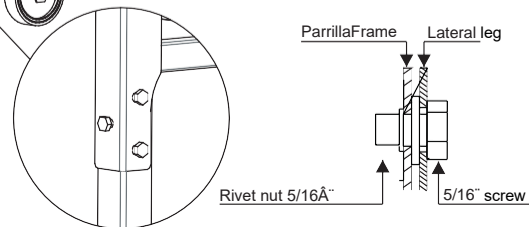


Fig 2: Present the side legs with wheels (8) and without wheels (9) inside the corners of the Chulengo Body (1) and fix them with screws. that we provide in a bag along with the rest of the pieces. See the detail on the left.

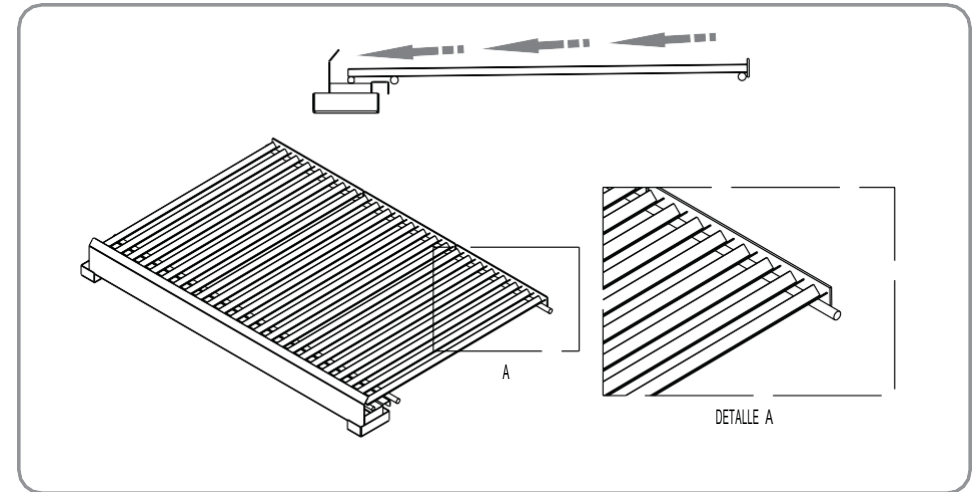


REVERSIBLE GRILL

Your TROMEN® grill has two grill inclinations, which allow you to change the way of cooking according to your needs and taste.



DEGREASE TO CONTAINER



DEGREASE TO BRASS DIRECT

