

Recomendaciones generales



Es posible que en la primera puesta en marcha de la parrilla desprenda olor a pintura, esto es debido a que la pintura se cura en uso, este suceso es normal y no volverá a repetirse en las siguientes puestas en marcha.

Durante este proceso de curado final, no se debe tocar la superficie del mismo ya que la pintura podría dañarse.
Leave the equipment on for an hour and a half to two hours to effectively finish the curing process.

During this first ignition you should not cook food.-



No quemar plásticos derivados de petróleo.



No mojar, en contacto con la humedad se oxida.



Escoger un lugar seco para su guardado resguardandola de la lluvia y del polvo

ANGUS E360

CHECKLIST DE COMPONENTES

DENOMINACIÓN	CANTIDAD	CHECK
CUERPO PARRILLA	1	
GREASY	1	
MÓDULO EMPARRILLADO	1	
THREADED LEG	4	

CHECK CARRIED OUT BY:

ANGUS E360 LINE

CHECKLIST DE COMPONENTES

DENOMINACIÓN	CANTIDAD	CHECK
CUERPO PARRILLA	1	
GREASY	1	
MÓDULO EMPARRILLADO	1	
THREADED LEG	4	

CHECK CARRIED OUT BY:

ANGUS E480

CHECKLIST DE COMPONENTES

DENOMINACIÓN	CANTIDAD	CHECK
CUERPO PARRILLA	1	
GREASY	1	
MÓDULO EMPARRILLADO	2	
PLANCH MODULE		
THREADED LEG THREADED	14	

CHECK CARRIED OUT BY:

ANGUS E480 LINE

CHECKLIST DE COMPONENTES

DENOMINACIÓN	CANTIDAD	CHECK
CUERPO PARRILLA	1	
GREASY	1	
MÓDULO EMPARRILLADO	2	
PLANCH MODULE		
THREADED LEG THREADED	14	

CHECK CARRIED OUT BY:

LINEA GOURMET

ANGUS E360 ELECTRIC GRILL GUÍA DEL PROPIETARIO

No desechar. Contiene información importante sobre su producto

ANGUS E360 LINE ELECTRIC GRILL GUÍA DEL PROPIETARIO

No desechar. Contiene información importante sobre su producto

ANGUS E480 ELECTRIC GRILL GUÍA DEL PROPIETARIO

No desechar. Contiene información importante sobre su producto

ANGUS E480 LINE ELECTRIC GRILL GUÍA DEL PROPIETARIO

No desechar. Contiene información importante sobre su producto




TROMEN®

ATTENTION

Owner's Manual and Guide

It is the responsibility of the user to carefully read this Manual/Guide and comply with the procedures indicated in it before putting the equipment into operation, keep it as it contains important information about the product.

 This symbol represents an alert sign, pay due attention while reading this Manual/Guide.-

IMPORTANT INFORMATION:

With the first start-up, the grill will give off a smell of paint; this will occur only once as it responds to its final curing. During this process, the surface of the equipment should not be touched as it could damage the finish.

Leave the equipment on for an hour and a half to two hours to effectively finish the curing process.

During this first ignition you should not cook food.-

WARNING:

Do not attempt to repair or misuse any of the components of your equipment without first contacting our CUSTOMER SERVICE DEPARTMENT who will provide you with information about TROMEN spare parts or genuine parts.-

If you fail to heed this warning, your actions could cause a short circuit and fire, resulting in serious bodily injury or property damage, including death.

In addition, you will lose the guarantee on the product.-

TROMEN is committed to offering products that consume less natural resources, such as water and energy, that generate less noise and are made with recyclable materials, collaborating with the preservation of the environment. Despite the fact that your product was manufactured within the highest quality and safety standards, there will come a day when it must be replaced with a new one. At this time, you should seek information about the best way to dispose of it. By practicing this selective collection you will contribute to reduce the daily volume of waste sent to garbage dumps, reduce the extraction of new natural resources, help urban cleaning and promote public health and the generation of direct and indirect jobs, in addition to acting for the improvement of the local and global quality of life among other benefits.

TROMEN ENVIRONMENTAL POLICY

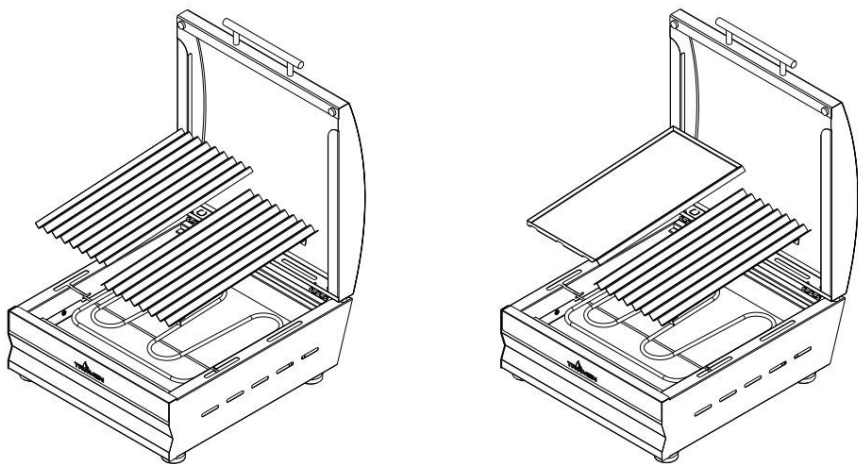
"It is our intention to conduct the company's actions within the concept of sustainable development, so that our products, services and manufacturing have the least impact on society."



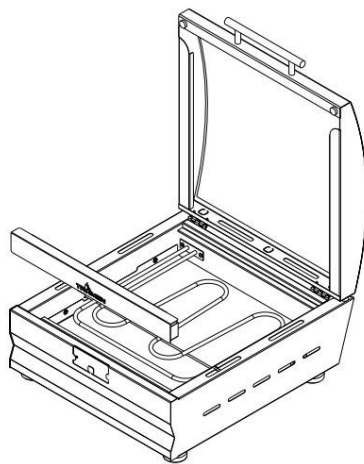
A) Unplug the equipment and allow it to cool before cleaning it.

B) If you want it to cool faster, lift the lid and leave it open.

C) Once it has cooled, remove the racks to be able to wash them outside the equipment.
Never try to wash them while they are on.



D) Remove the grease cup to wash it outside the equipment; use a soft sponge and hot, soapy water.
Do not use steel shavings, or any sharp metal items, as they could be scratched.



E) Rinse and dry the parts well.

F) Put them back in the equipment to be able to save it.

⚠ SAFETY INFORMATION:

⚠ Never leave babies, children or pets unattended near a burning or hot grill


If your equipment is self-based, DO NOT try to move it while it is in use and hot, wait for it to cool down before moving or cleaning it.- Keep the grill on a safe and level surface at all times, away from combustible materials.-







- ⚠ Always be attentive and operate carefully while the equipment is working during cooking and a few minutes after, since despite having turned it off it will remain hot.-
- ⚠ After using the product, unplug it and let it cool down before cleaning it.-
- ⚠ If grease is accidentally spilled and catches fire or generates smoke, the equipment must be turned off and the necessary precautions must be taken to remove the food being cooked with protective gloves.-
- ⚠ The use of abrasive products to clean the equipment will deteriorate the finish of the surfaces. For the exterior, use a slightly damp cloth, for tiled areas (grill) or stainless steel (grease), with hot water and detergent or recognized and recommended products on the market for this type of surface.-
- ⚠ It is recommended not to cut food on the grill; Cut them apart and if you want, put them back on top of it.
- ⚠ The use of this product is prohibited for children and people with reduced physical, sensory or mental capabilities, unless they are supervised and instructed about the use of the product by someone responsible for their safety.
- ⚠ Children should be supervised to ensure that they do not play with the equipment.
- ⚠ It is recommended to use the product in open spaces such as:
 - Balconies.
 - Yards.
 - Campsites.
- ⚠ Keep in mind that the product will generate smoke during the cooking of the food.
If you use it indoors, you should place it near a window or smoke extractor.

SECURITY INFORMATION

FAILURE TO OBSERVE DANGER NOTICES, WARNINGS AND CAUTIONS CONTAINED IN THIS OWNER'S MANUAL COULD RESULT IN SERIOUS BODILY INJURY OR DEATH OR A FIRE OR EXPLOSION CAUSING PROPERTY DAMAGE

 **SAFETY SYMBOLS** () will alert you to important information.

 Please read all safety information in this owner's guide before operating your grill.

-  Do not leave babies, children, or pets unattended near a hot grill.
-  Do not try to move the hot grill. Wait until it cools down before moving it.
-  You must proceed with care when operating the grill. It will be hot while cooking and should never be left unattended while in use.
-  Keep grill on a safe, level surface at all times, away from combustible materials.
-  Using abrasive cleaners on the cooking grates or the grill itself will damage the surface finish.
-  The grill should be thoroughly cleaned on a regular basis.

THE BELOW LABEL INDICATES IMPORTANT INFORMATION ABOUT YOUR EQUIPMENT. IT IS ALSO ATTACHED TO THE SIDE AREA OF THE GRILL. KEEP IT IN MIND BEFORE USING IT.

ANGUS E360

ELECTRIC GRILL Brand:
TROMEN Model:
ANGUS E360 220V;
50Hz; 1700W For
domestic use only **ELECTRICAL DO NOT OPEN** 
in water **BURNER CONSUMPTION: 6.04 kW** **SHOCK HAZARD** 
Manufactures and distributes: PARQUE PAMPA SA
Address: Pl del Oeste, Darwin Passaponti 6002, B1744
Moreno, Buenos Aires, Argentina **Origin:**
ARGENTINA PRODUCT
CERTIFIED BY IRAM

ANGUS E360 LINE

ELECTRIC GRILL Brand:
TROMEN Model:
ANGUS E360 LINE
220V; 50Hz; 1300W
For domestic use only Not
submersible in water **BURNER CONSUMPTION: 6.04 kW** 
Manufactures and distributes: PARQUE PAMPA SA
Address: Pl del Oeste, Darwin Passaponti 6002, B1744
Moreno, Buenos Aires, Argentina **Origin:**
ARGENTINA PRODUCT
CERTIFIED BY IRAM

ANGUS E480

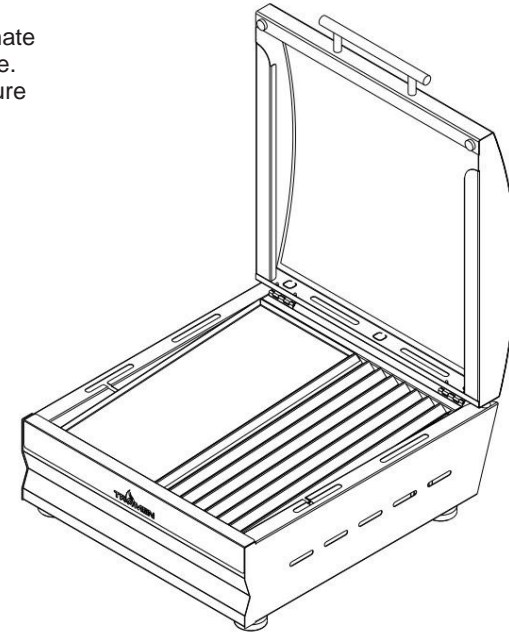
ELECTRIC GRILL Brand:
TROMEN Model:
ANGUS E480 220V;
50Hz; 1800W For
domestic use only Not
submersible in water
BURNER CONSUMPTION: 6.04 kW 
Manufactures and distributes: PARQUE PAMPA SA
Address: Pl del Oeste, Darwin Passaponti 6002, B1744
Moreno, Buenos Aires, Argentina **Origin:**
ARGENTINA PRODUCT
CERTIFIED BY IRAM

ANGUS E480 LINE

ELECTRIC GRILL Brand:
TROMEN Model:
ANGUS E480 LINE 220V;
50Hz; 1700W For
domestic use only Not
submersible in water **BURNER CONSUMPTION: 6.04 kW** 
Manufactures and distributes: PARQUE PAMPA SA
Address: Pl del Oeste, Darwin Passaponti 6002, B1744
Moreno, Buenos Aires, Argentina **Origin:**
ARGENTINA PRODUCT
CERTIFIED BY IRAM

C) Leave the lid closed for approximately 10 minutes, depending on conditions such as air temperature or wind.

After this period, the grill will reach an approximate temperature of 220°C on the grill and the griddle. Lift the lid and you will notice that the temperature has risen; the team is ready to cook. Place the food on the grill and close the lid.

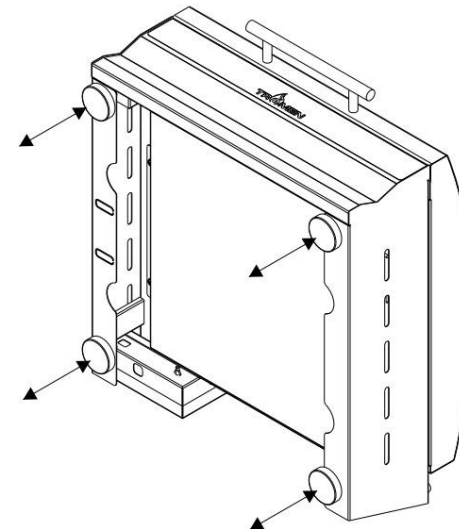


Note: if you wish, you can adjust the height of the four threaded legs.

For that the equipment must be cold and unplugged.

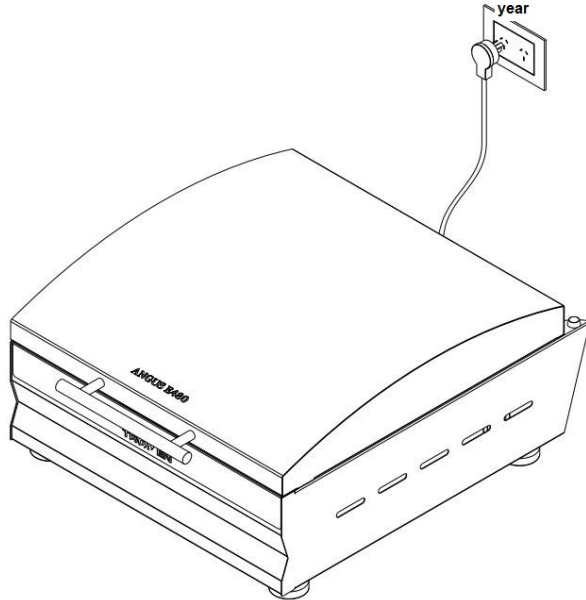
It is recommended to support the grill on the back to work more comfortably, as shown in the image below.

All four legs must be adjusted to the same height. Once the four legs are regulated. The equipment must be supported again in the usual position.

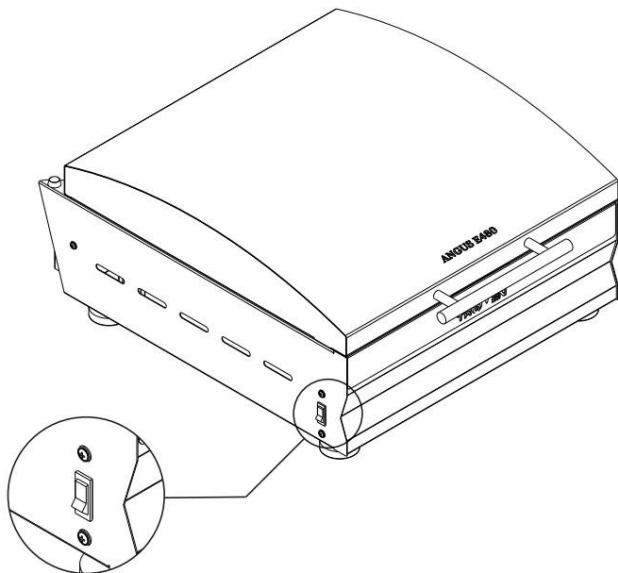


When using a grill TROMEN® carefully follow the instructions below for lighting and using it.

A) Plug the equipment into a power outlet before turning it on.



B) Press the switch on the left side. A red led light should come on; that means that the resistance of the equipment began to rise in temperature.



TO VALIDATE THE WARRANTY, YOU MUST REGISTER ELECTRONICALLY THROUGH OUR WEBSITE WWW.TROMEN.COM WITHIN 10 DAYS AFTER THE PURCHASE OF THE EQUIPMENT, OTHERWISE, IT WILL BE VOID.

WARRANTY

TROMEN® hereby warrants to the ORIGINAL PURCHASER of this ANGUS E-LINE Grill that it will be free from defects in both materials and manufacturing, as long as it is assembled and operated in accordance with the accompanying printed instructions, from its date of purchase and according to the following:

Enamelled pieces 1 year
Paint 180 days
All the rest of parts 1 year

This limited warranty does not cover paint failure if the equipment is stored outdoors, as such an event will prematurely degrade the applied surface finish. TROMEN® may require proof of date of purchase. THEREFORE, YOU SHOULD KEEP YOUR PURCHASE RECEIPT OR INVOICE AND THE EQUIPMENT REGISTRATION LABEL. This Warranty is limited to the replacement of parts that are defective under normal use and service and which, when examined, indicate, to TROMEN®'s full satisfaction, that they are indeed defective. If TROMEN® confirms the defect and approves the claim, it will replace the part free of charge. The change of the components, or the product will be made through the point of sale, where the equipment was purchased, which will coordinate its withdrawal with the client. In the event that field inspections are required for the products within a period of 60 days from the date of purchase, these are

not they will have a cost for the client whenever the failure is caused by manufacturing problems; Otherwise, all expenses incurred will be borne by the user.

This limited warranty does not cover failure or operational difficulties due to accident, abuse, misuse, alteration, misuse, vandalism, improper installation, improper maintenance or service, or failure to perform normal and routine maintenance.

This Limited Warranty does not cover deterioration or damage caused by inclement-type conditions such as hail, hurricanes, earthquakes or floods nor discoloration due to exposure to chemical substances either by direct contact or by the same contained in the atmosphere. There are no express warranties other than those stated herein, and any implied warranties of merchantability and fitness for use are limited in duration to the coverage time of this express written Limited Warranty.

TROMEN® is not responsible for any special, indirect, consequential, property damage, personal, third party or any other incidental damage.

TROMEN® does not authorize any person or company to assume on its behalf any obligation or liability in connection with the sale, installation, use, removal, return or replacement of its equipment, and no such representation shall be binding on TROMEN®.

REPORT ANY DEFECTS

SERVICIOTECNICO@TROMEN.COM

The following label identifies your new product, remember to keep it for future reference on it.



MR. USER:

The following information will help you to carry out a correct repair of your **TROMEN electric grill**, if necessary.

In case you have to replace the electrical resistance, follow the instructions below. The spare part of the same can be purchased at the point of sale where the equipment was purchased. Replacing the electrical resistance is very simple if you follow the following steps.

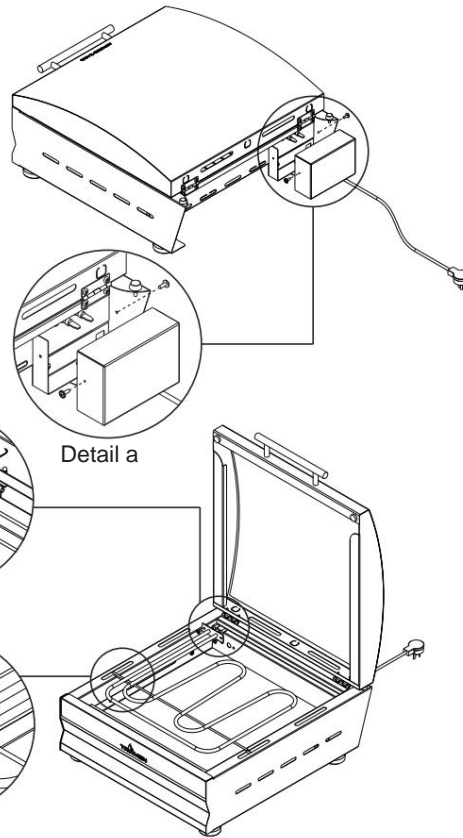


MUST BE UNPLUGGED TO BE ABLE TO REPLACE THE ELECTRICAL RESISTANCE. OTHERWISE YOU WILL BE RISK OF SERIOUS INJURY OR DEATH.

A) Once the equipment is unplugged, remove the back cover by removing the three screws. Then you will need to unplug the tabs of the two wires that are connected to the resistor (see Detail A). Remember to connect each whip to the blade of the corresponding resistance; The brown cable is connected to the left blade and the light blue cable to the right.

B) Then, using an M4 allen key, remove the two screws that appear in Detail B to unscrew the two nuts that are placed on the rear side of the equipment, inside the removable cover.

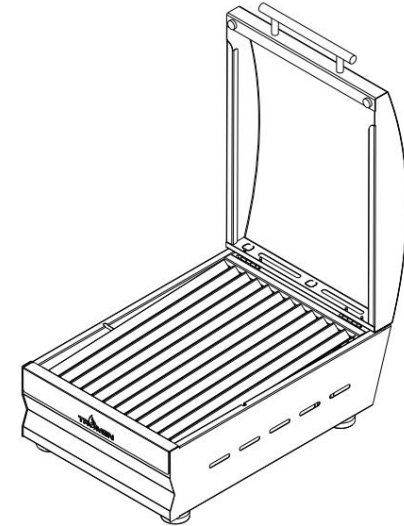
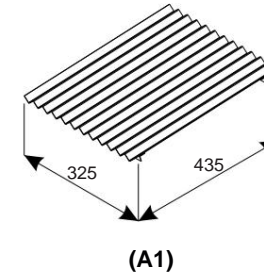
Finally slide the resistance through the slots on the sides of the grill (Detail C). You will now be able to place a new resistor; you will need to screw it in and then fix the detachable cover.



ANGUS E360 / ANGUS E360 LINE

Your Angus E360 Electric Grill features:

- 1 Gridded Module (A1)

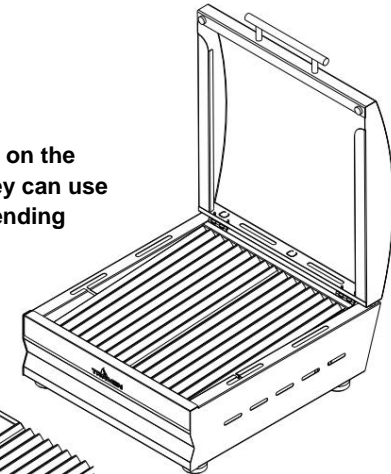
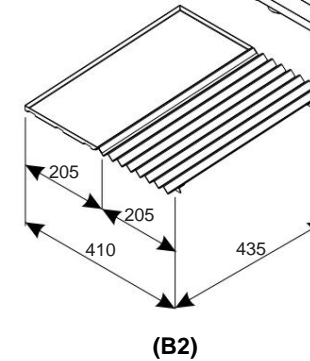
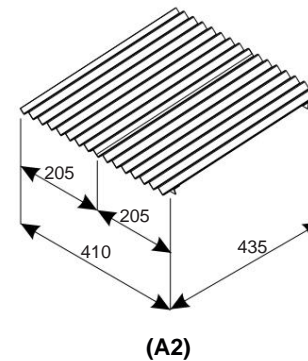


ANGUS E480 / ANGUS E480 LINE

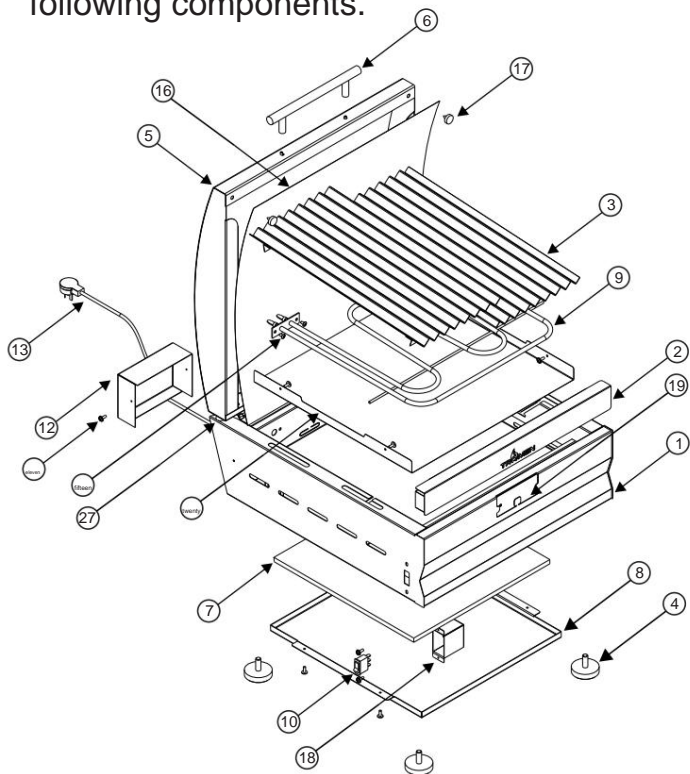
Your Angus E480 Electric Grill features:

- 2 Grid Modules
- 1 Plancheta Module

These modules are interchangeable; the user must always place a gridded module on the right side, and on the left side, resting on the aforementioned module, they can use a gridded module (A2) or a griddle module (B2), depending on the type of cooking desired.



Your new TROMEN® ANGUS ELECTRIC grill is made up of the following components.



Nº	Denominación	Cantidad
1	CUERPO PARRILLA	1
2	GREASY	1
3	GRILLED MODULE	(*)
4	THREADED LEG	4
5	TOP	1
6	HANDLE	1
7	THERMAL INSULATION	1
8	INSULATION COVER	1
9	ELECTRICAL RESISTANCE	1
10	SWITCH	1
11	TERN C TANK N°8 1/2"	12
12	REMOVABLE LID	1
13	ELECTRICAL CONNECTION	1
14	NUT M4	2
15	15 ALLEN HEAD BOTTOM SCREW 4x10mm - 15 ALLEN HEAD BOTTOM SCREW 4x10mm	2
16	STAINLESS LID	1
17	RUBBER STOPPER FRONT	2
18	SWITCH COVER	1
19	RED BACKGROUND	1
20	STAINLESS STEEL FLOOR	1
21	TANK HEAD PH SCREW M4x6mm (ONLY ON E480)	2
22	STAINLESS STEEL LID STOP	1
23	SCREW 3/16" X 1/2" - W/BRONZE TANK	1
24	3/16" FLAT BRONZE WASHER	1
25	NUT 3/16" BRONZE	1
26	PLATE MODULE	1
27	RUBBER BUMPER BACK	2

(*) The E360 model has 1 Grilled Module, while the E480 has 2.
The rest of the list of components is the same for both models.

STORAGE:

- A) Let the equipment cool down before putting it away.
- B) Wash the grill and the drip pan with water and a soapy sponge; do not use steel shavings or any pointed metal item to clean the grease cup; could scratch it.
- C) Dry the grill and the drip tray with a cloth and place them back in their use position.
- D) Store the equipment in a dry place, such as a counter or shelf. Do not wet the rest of the equipment as an oxidation process will begin.

TROMEN teaches the consumer how to identify, at home, some problems that can interfere with the performance of the product. If the operation does not improve, consult the technical service of TROMEN.

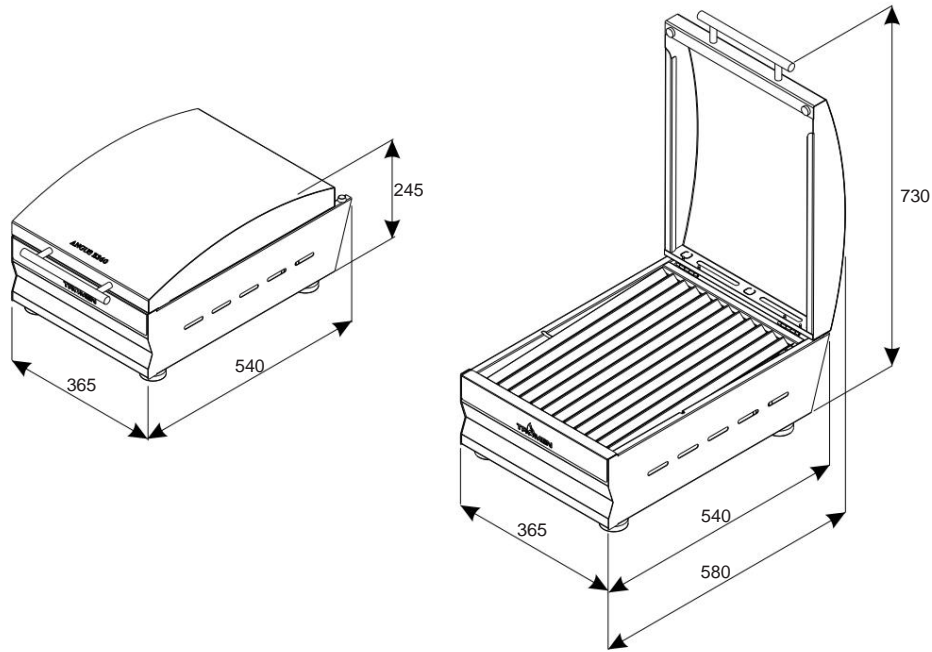
SYMPTOM	CAUSE	SOLUTION
The product does not turn on	Error in the power supply.	Check the connection of the plug to the mains or try another outlet.
		Make sure the plug is firmly connected to the outlet.
		Plug the equipment into another outlet.
Product is turned off and remains hot	High temperature in the grilled and cover.	Make sure that there is no occurrence of a drop in the electricity network.
		After turning it off, wait for a period of approximately 15 minutes for the temperature of the electrical resistance to drop.

TECHNICAL SERVICE

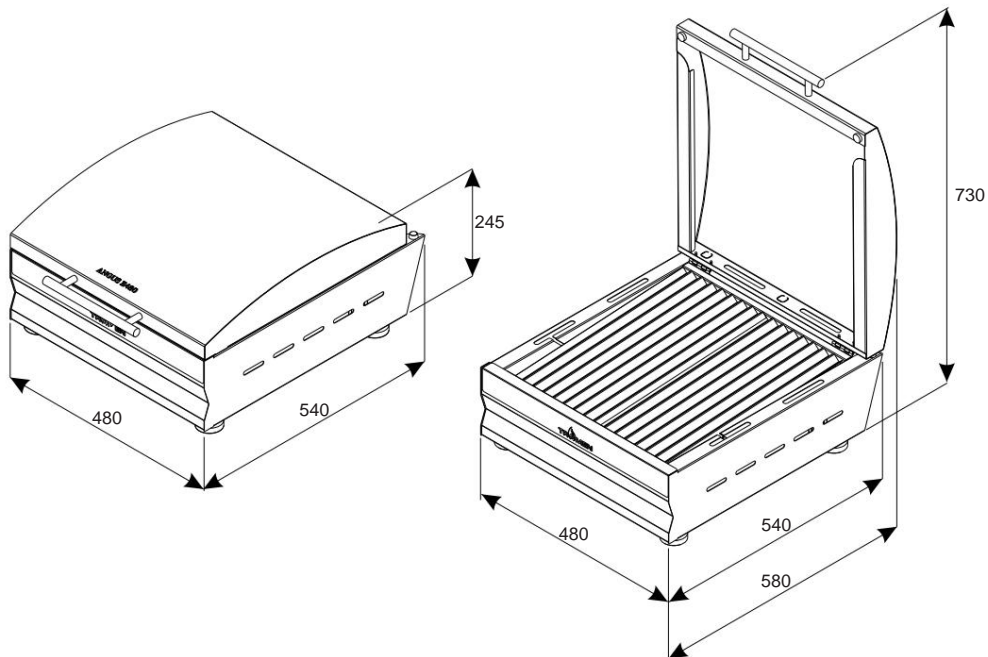
If you contact the TECHNICAL SERVICE you must have in hand:

- Product identification code.
- Invoice.
- Address and telephone number for contact.

ANGUS E360 / ANGUS E360 LINE



ANGUS E480 / ANGUS E480 LINE



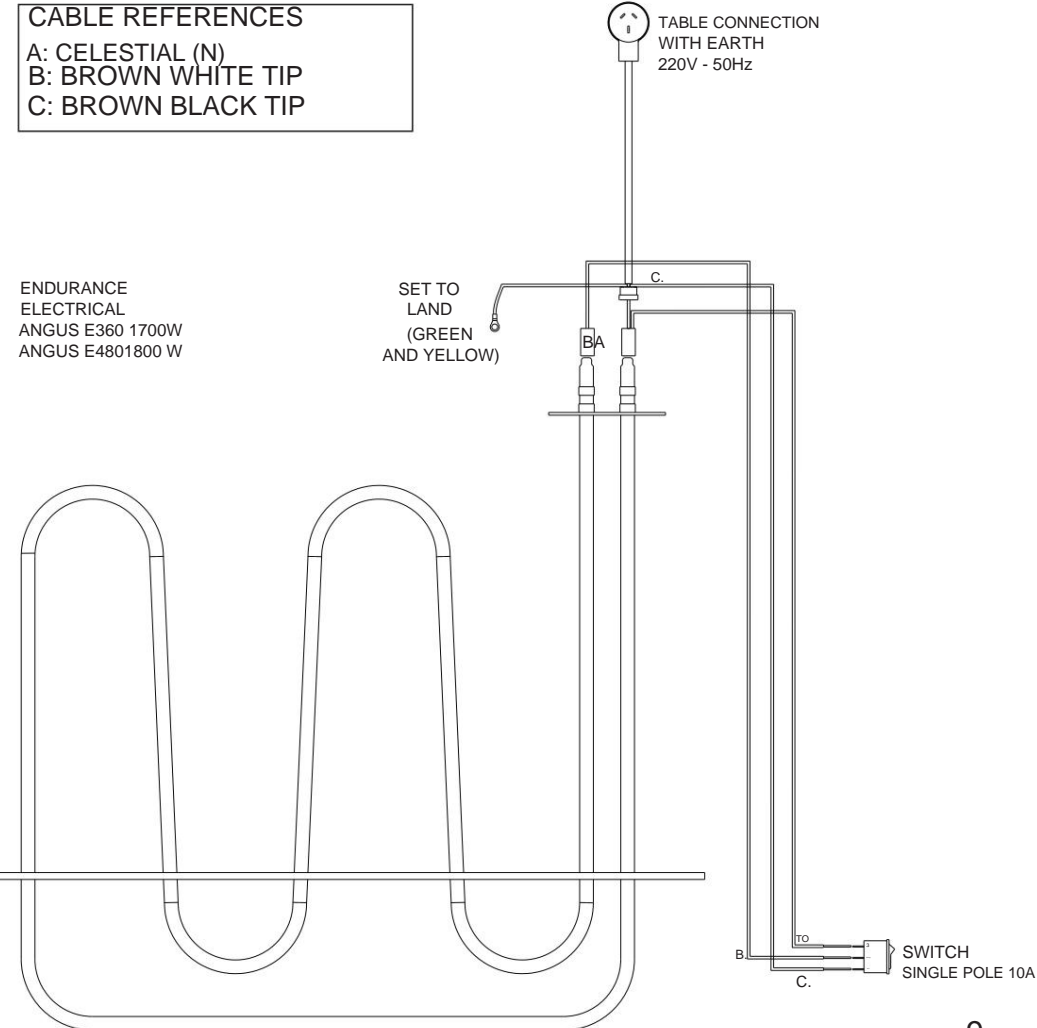
MODEL	ANGUS E360	ANGUS E360 LINE	ANGUS E480 ANGUS E480	ANGUS E480 LINE
VOLTAGE (V)	220V	220V 220V	220V 220V	220V 220V
FREQUENCY (Hz)	50hz	50hz 50hz	50hz 50hz	50hz 50hz
MAX POWER (W)	1700W	1300W	1800W 1800W	1700W
WEIGHT (KG)	12.5kg	12.5kg	15kg 15kg	15kg 15kg
COLOR	GREY	GRAY GRAY	GRAY GRAY	GRAY GRAY
MATERIAL	PLATE AND STAINLESS STEEL	PLATE AND STAINLESS STEEL	SHIRT AND STAINLESS STEEL SHIRT AND STAINLESS STEEL	SHIRT AND STAINLESS STEEL SHIRT AND STAINLESS STEEL

ELECTRICAL INSTALLATION

Below is a schematic of the electrical connection of the resistor. In case you have to replace it, you must obtain the original spare part at the point of sale where you purchased the product, and follow the scheme detailed below.

CABLE REFERENCES

- A: CELESTIAL (N)
- B: BROWN WHITE TIP
- C: BROWN BLACK TIP



ENDURANCE
ELECTRICAL
ANGUS E360 1700W
ANGUS E480 1800 W

SET TO LAND
(GREEN
AND YELLOW)

TABLE CONNECTION
WITH EARTH
220V - 50Hz

SWITCH
SINGLE POLE 10A