

SEM7A

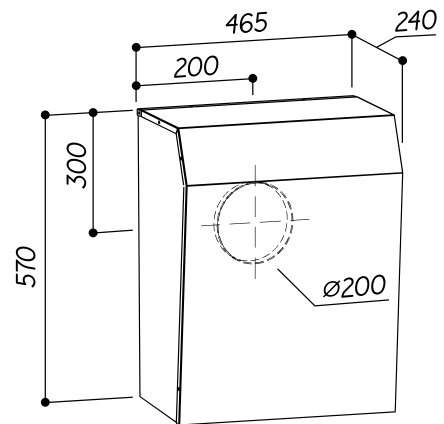
EXTERNAL WALL MOUNTED MOTOR



SPECIFICATIONS

Installation Type	External Wall Mounted Motor
GTIN	9351116005900
Connection	Plug
Country of Origin	Handcrafted in Italy
Speed Settings	4
Ducting Diameter	200mm
Extraction	2000 m3/hr
Electrical Requirement	10A
Wattage	265W
Cable Length	7 Metres
Pressure	480Pa
Made In	European Made
Noise	68dBa Max (Depends on installation see website for how to optimise noise control)
Dimensions (mm)	W620 x D810 x H500
Weight	26.5 Kg
Warranty	10 Year Warranty

LINE DRAWING



DISTRIBUTED BY ARISIT PTY LTD

40-50 Mark Anthony Drive, Dandenong South VIC 3175
Ph: 1300 762 219 Fax: 03 9768 0838 Website: www.arisit.com