

900mm ONBOARD CANOPY RANGEHOOD - STAINLESS STEEL FINISH

SL22 900



Rangehood type	Canopy
Control	Button
Speed settings	4
Ducting diameter	150mm
Extraction type	Onboard motor
Motor	Single aluminium motor
Extraction	1020m ³ /h
Filter	10mm stainless steel baffle
Lighting	2 x LED Spotlights
Induction Countdown Control	Yes
Electrical requirement	10A
Dimensions (mm)	W900 x D550 x H810-1340
Warranty	3 years (6 years when Sirius ducting is used)



SINGLE MOTOR



10mm BAFFLE FILTERS



1020m³/h AIRFLOW



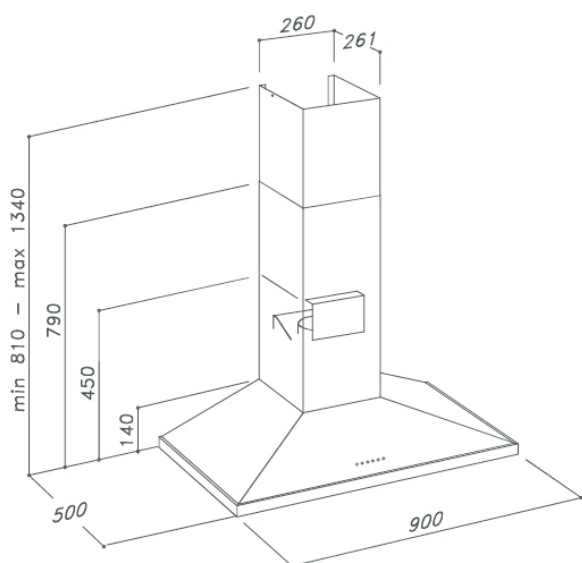
INDUCTION SAFE



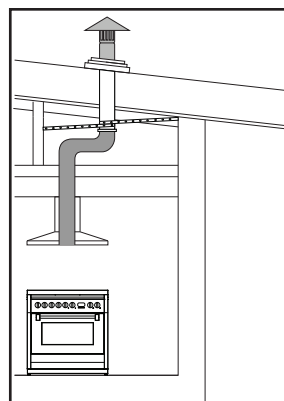
HALOGEN LIGHTING



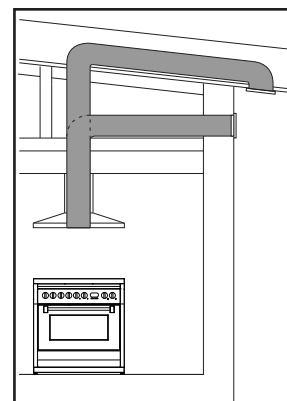
MADE IN ITALY



Ducting options



Roof ducted



Eave or Wall ducted

- Use semi-rigid or rigid ducting, not fully flexible foil ducting.
- Fewer bends means a quieter and more powerful extraction.
- Extra 3 years warranty when Sirius ducting is used (total 6 years).
- See [support page](#) on Sirius website for installation videos and FAQs.

WARNING: technical specifications and product sizes can be varied by the manufacturer, without notice. Cut outs for appliances should only be by physical product measurements. The above information is indicative only.

Distributed by Arisit Pty Ltd