

SEM10 Motor

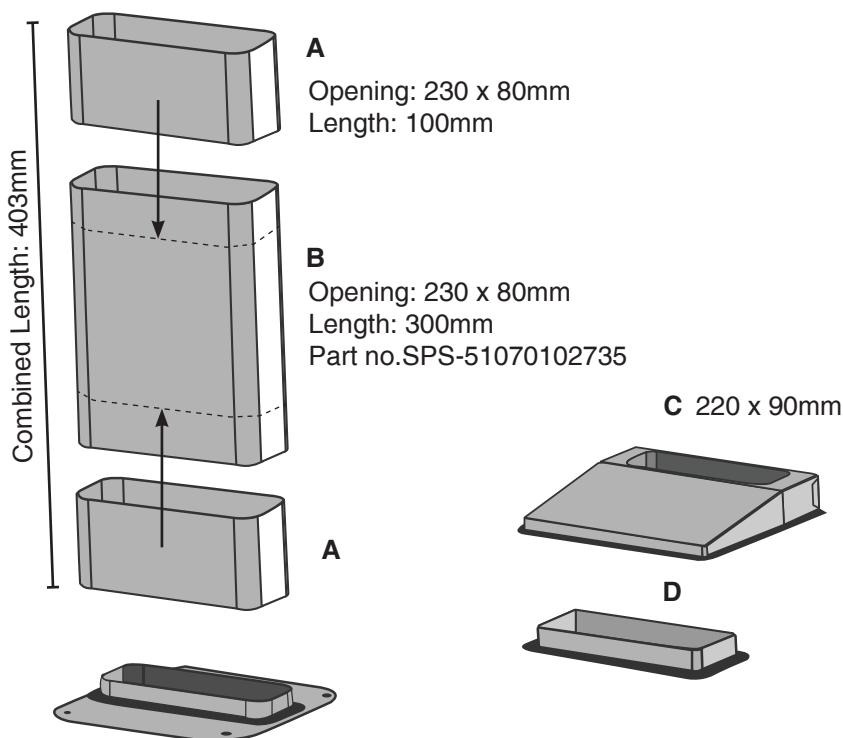
Off Board motor designed specifically for downdraft installations.

- Motor: 1020 m³/h extraction rate

SEM 10 ducting can be ducted out either parallel or perpendicular (and at two different angles) to the downdraft unit by rotating the initial ducting point as per the diagram above left.

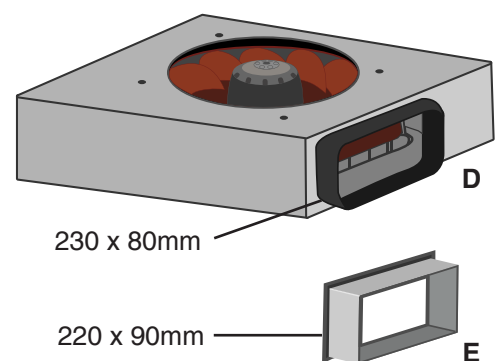
For re-circulating SEM10 extraction, charcoal filters must be installed within your Sirius downdraft. These can be purchased separately. The SEM10 uses specific ducting that can be purchased separately.

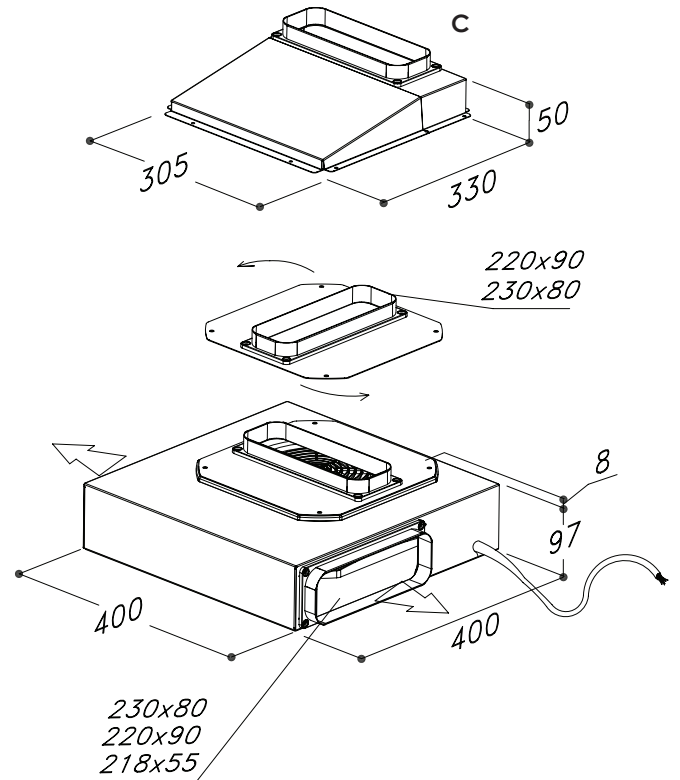
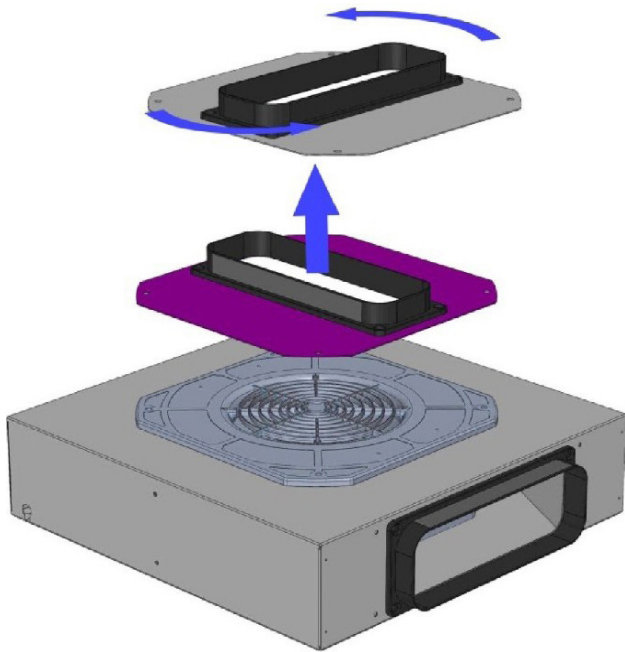
Please ensure motor is accessible for servicing purposes.



Components supplied with SEM10:

- A:** Joint 230x80 (x2 pieces)
- B:** Pipe 230x80 (x1 pieces)
- Plus connector pieces shown below.
- C:** Offset adaptor
- D:** Used when using included ducting
- E:** When extending ducting length





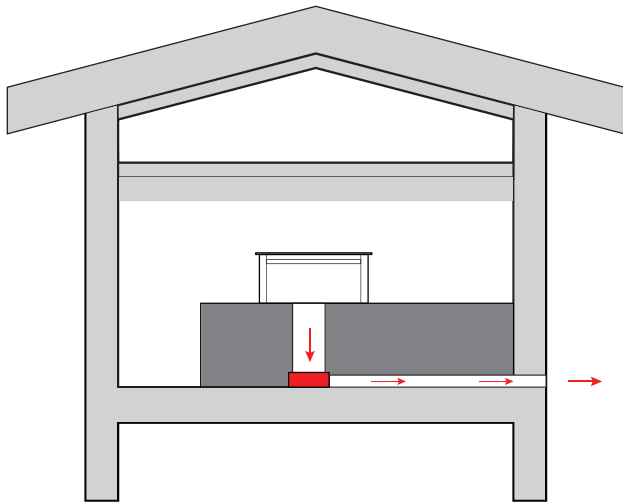
Inlet connector can be switched around so that the outlet on the motor can point towards the air outlet of your choosing.

Offset nozzle piece (C) can be fitted to the top of the motor to allow it to be fitted closer to the rear of the cabinet - offsetting the motor to the downdraft - which can be used in setup option 1 (see page 4).

Example installation

Diagram shows downdraft with centre nozzle attachment. Downdraft can also be fitted with offset nozzle.

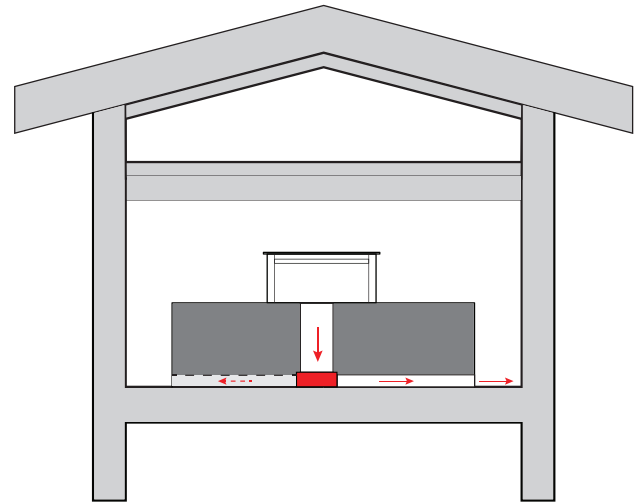




A. SEM10 - Internal Motor Installation (Ducted)

This installation method is an easy install which sits at just 10cm tall, allowing it to easily fit under standard cabinetry kickers and can be ducted directly outside of your kitchen.

Please Note: The SEM10 motor requires specific ducting.
(See below)



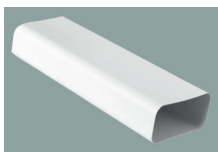
B. SEM10 - Internal Motor Installation (Re-Circulating)

Charcoal filters must be installed inside the Sirius downdraft to purify the air for correct re-circulating extraction. These filters are purchased separately. Sirius recommends replacing the charcoal filters on your re-circulating rangehood every three to twelve months depending on your style and frequency of cooking.

Ducting can be directed out from the SEM10 motor at two different outlets of the motor running at opposite directions to create a more evenly dispersed airflow within the room.

Please Note: The SEM10 motor requires specific ducting.
(See below)

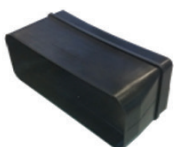
Optional Ducting accessories (For SEM 10 or SEM 12)



SPS-66102291000 (PART F)
PIPES (Square corners)
220X90mm (opening)
1200mm (length)



SPS-66101020229 (PART G)
RECTANGULAR CONNECTOR
220x90mm (opening)
44mm (length)



SPS-66101040229 (PART H)
'B' TO 'F' CONNECTOR
230X80mm (B) - 220X90mm (F)
98mm (length)



SPS-66101000022
VERTICAL ROUND-RECTANGULAR
CURVES
220x90mm



SPS-66101030229
150mm ROUND-RECTANGULAR
JOINTS
220x90mm






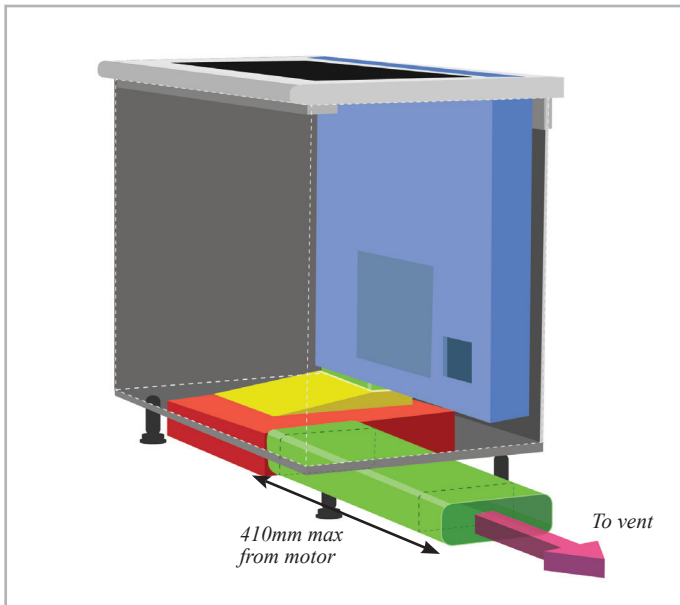
SPS-66101010229
VERTICAL RECTANGULAR 90°
CURVES
220x90 mm



SPS-66101000229
HORIZONTAL RECTANGULAR 90°
CURVES
220x90mm

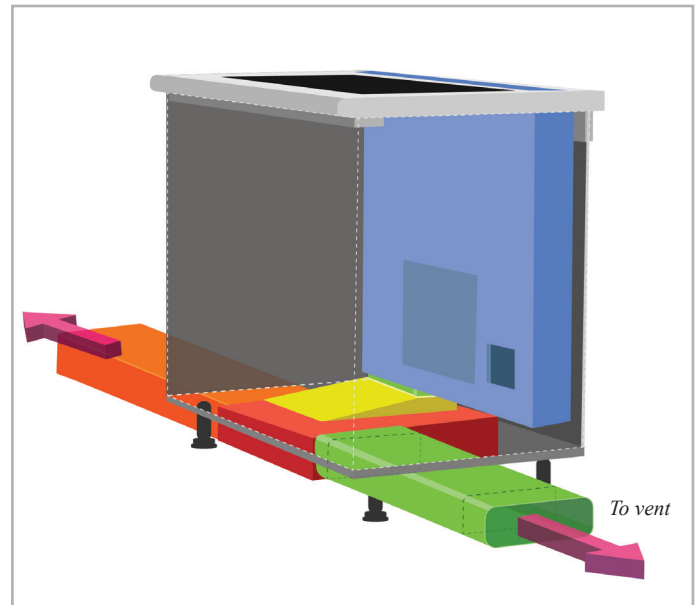
Installation options

	Downdraft		Nozzle
	Regular Ducting		Cabinet
	SEM10 motor		Air direction
	Extended ducting		Cooktop



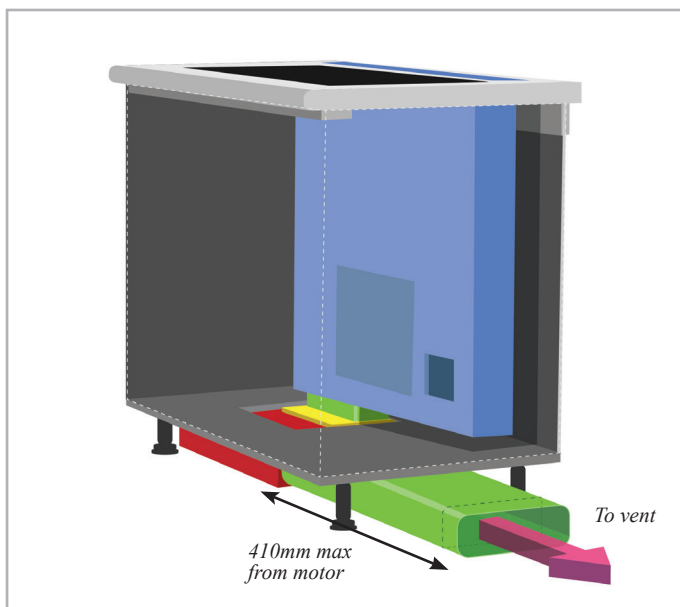
Setup Option 1

Downdraft is fitted to offset nozzle piece, allowing maximum clearance at rear of the unit. The duct directs the air under the cupboard to be recirculated, or to an external vent (not supplied).



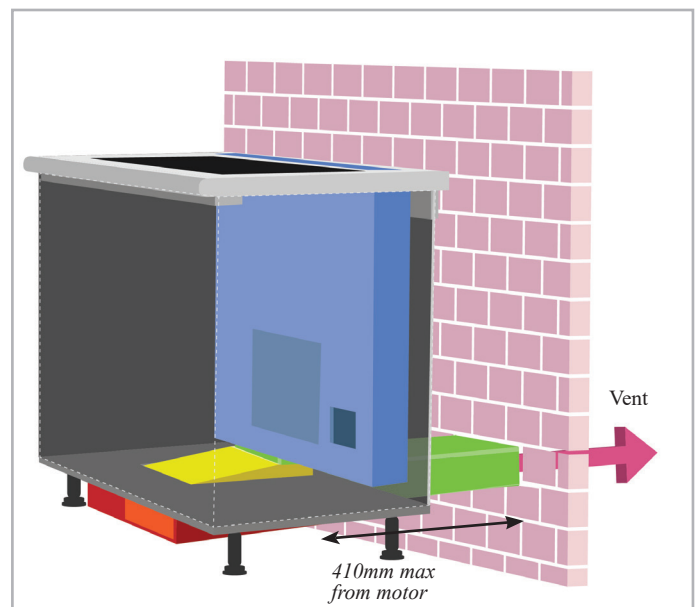
Setup Option 2

Same setup as option 1, but ducting is directed from both sides of the motor, dispersing air current evenly to two exit points.



Setup Option 3

Downdraft is fitted to the centre-nozzle attachment, and the ducting from the motor leads the air out under the cupboard. Ducting can also be fitted to both sides, (see option 2), or rotated to direct air to the rear or front (see option 4)



Setup Option 4

Downdraft is fitted to offset-nozzle attachment, but motor is rotated 90° so that ducting points towards wall. Air is vented through external vent (not supplied).

Downdraft Installation

Sirius downdrafts should only be installed by a Sirius recommended installer. The SEM10 can be ducted left, right, front, or back to assist in a variety of island applications. Please ensure the downdraft is not obstructed by overhead constrictions. Unit must be able to be removed or accessible for servicing purposes.

Extended ducting options

Option 1

Swap part **D** for **E**. Attach Part **F**. Can be cut to suit length. If you require longer length than 1200mm, attach Part **G**, and then another part **F**. Can be cut to suit length, or extended further.

