

COMMERCIAL INFORMATION FOR THE CONSUMER

EN INSTALLATION, USE AND MAINTENANCE INSTRUCTION

UPDRAFT

TECHNICAL INFORMATION

TYPE: FSED – FSEB



EN



The symbol on the product or on its packaging indicates that this product may not be treated as household waste. Instead it shall be handed over to the applicable collection point for the recycling of electrical and electronic equipment. By ensuring this product is disposed of correctly, you will help prevent potential negative consequences for the environment and human health, which could otherwise be caused by inappropriate waste handling of this product. For more detailed information about recycling of this product, please contact your local city office, your household waste disposal service or the shop where you purchased the product. This appliance is marked according to the European directive 2012/19/EC on waste electrical and electronic equipment (WEEE).

CONTENTS

EN

Warnings

Installation

Working

Maintenance

WARNINGS

The Upright has been projected to be installed on 900mm wide cabinet with height from 480mm.

Important: keep these instructions for use with the appliance. If the appliance should be sold or passed on to others, make sure that the instructions are passed on with it.

Please take note of these suggestions before installing and using the appliance. They have been written for your personal safety and the safety of others.

These hoods have been designed for personal use in the home.

The appliance must be used by adults.

Take care that children do not touch the appliance and do not use it as a toy.

Make sure that children do not operate the controls.

Upon delivery of the appliance, remove the packing material yourself or have it removed immediately.

Check the overall condition of the appliance.

Write any remarks you may have on the transport document, of which you will keep a copy.

Your appliance is designed for normal use in the home. It is not designed for commercial or industrial use, or for purposes other than those for which it was designed.

– Do not ever modify, or attempt to modify, the design characteristics of this appliance.

This could result in danger.

Repairs must be performed only by an authorised specialist.

Always disconnect the hood before carrying out cleaning or maintenance operations.

– Adequately ventilate the area in case the hood is activated simultaneously with other appliances powered from non-electrical sources so that the hood does not ventilate these combustion fumes.

– It is not allowed to cook food or use burners with unsuitable containers, close to the cooker hood, (flames suctioned could generate the risk of damaging the appliance).

Deep frying under the appliance must be done under constant supervision as hot oils and fats may ignite.

Respect the guidelines for cleaning and replacement of the filters. Accumulated deposits of grease are a fire hazard.

– The use of combustible materials (wood, charcoal, etc...)

on the hobs is not permitted. Never use steam or high-pressure devices for cleaning your hood (regulations regarding electrical safety).

- Never use the cooker hood without grease filters.

- The lower part of the cooker hood, with the extractable unit closed, shall be at a minimum distance of 50 centimeters from the cook top.

Never put your hands in the field of action of the cooker hood extractable unit, during handling operations.

The product is equipped with a security switch, which stops functioning of the hood if the filter panel is unhooked.

Constantly seeking to improve our products, we reserve the right to modify their technical, functional, or aesthetic characteristics as they evolve.

EXTERNAL MOTOR VERSION:

Connect the the external motor's cable to the terminal board found inside the plastic box of the wiring . Make sure to respect the colors of cables when performing the electrical connection (Fig. 18).

For external motor version, in order to have a standard working of the upright hood it is necessary to use an external motor produced by the same supplier.

The air flow doesn't have to be piped in the same duct as that coming from sets powered by non-electrical energy (for example district heating, etc.). In reference to airflow, pay attention to rules of competent authorities.

INSTALLATION

Before installing the appliance, make sure that none of the parts is damaged in any way. In case of damaged parts, contact your retailer and do not proceed with installation. Read all of the following instructions carefully before installing the appliance:

- Utilise an air extraction tube that has a maximum length of not more than 5 metres.
- Limit the number of curves in the ducting because each curve reduces the extraction efficiency as one linear metre (e.g., if two 90° curves are utilised the length of the ducting should not exceed 3 metres in length).
- Use a material approved by standards and regulations.
- Avoid any drastic changes of direction.
- Avoid any sudden changes in the pipe section (recommended constant diameter: Ø 150 mm or equal surface area).
- Utilising rigid tubing is recommended and not flexible tubing.

The manufacturer shall not respond for air capacity or noise problems due to non-compliance with above mentioned instructions, and no warranty shall be given.

INSTALLATION OF THE UPDRAFT.

Before drilling the hole in the underneath of the kitchen wall unit check that there are no particular parts of the structure of the kitchen wall unit or other components that could create problems for the correct installation inside the kitchen wall unit in correspondence to the zone where the appliance will be housed. Check that the dimensions of the UPDRAFT and the ones of the CABINET are compatible, in order to make installation possible.

Drill an 778mm x 267mm rectangular hole at the rear of the kitchen wall unit base. The drilling must be carried out 10 mm from the rear internal wall of the kitchen wall unit (refer to Fig. 14).

In order to install the appliance into the cabinet more easily, we suggest you to fit the appliance into the cabinet first, and then to fix the cabinet to the wall. (see fig. A)

Place the appliance on a flat surface. Remove the front cover fixed with 10 perimeter screws (fig. 1);

Fit the product into the cabinet (fig. 2), then secure it by using the two brackets as per the procedure below.

Place the two brackets supplied with the appliance in their specific seats found on the right and left side of the appliance, as shown in fig. 3. Secure the two brackets using the four fixing screws, see fig. 4. Tighten the two clamping screws, shown in fig. 5, making sure the external bracket is well fixed to the cabinet base, as shown in fig. 6. Refit the front cover as shown in fig. 1

Connect the appliance to the power supply.

If the appliance works in suctioning mode, connect it to the air outlet duct, as shown in fig. 7; if the appliance works in recycling mode, air is simply re-conveyed into the room, therefore you only need to make sure the air sucked does not remain inside the cabinet.

When the product works in recycling mode, charcoal filters shall be used; they must be installed directly on the grease filter, on the rear side, as shown in fig. 8.

To reach the grease filters, you need to pull out the extractable unit electronically, according to the instructions given in the 'Working' section.

A wooden panel is supplied with the appliance to be installed in its front side; it must be shaped accordingly to the cabinet door hinges (fig. 9).

External motor electric connection:

In case of an external motor version connected to an external extraction unit of the same manufacturer, it will be necessary to connect the cable of the remote motor to the appropriate connector that becomes visible after removing the left cover (Fig. 10).

WORKING

Upright (dis. 14)

- A: Light switch on/off
- B: Motor switch on speed 1/off
- C: Motor switch on speed 2
- D: Motor switch on speed 3
- E: Motor switch on speed 4
- F: 10-minutes timer

OPTIONAL COMPONENT (dis. 16)

RC001

RADIO CONTROL

Radio control used for the remote operation of ducted cooker hoods.

TECHNICAL DATA

- Alkaline battery powered: 12V mod. 27A
- Operating frequency: 433.92 Mhz
- Combinations: 32.768
- Max. consumption: 25 mA
- Operating temperature: $-20 \div + 55 \text{ }^{\circ}\text{C}$
- Dimensions: 130x45x15 mm.

OPERATING DESCRIPTION

The transmitter is equipped with 5 buttons for cooker hood management, as specified below:

☀ : Light ON/OFF command.

⏻ : Motor ON (speed level 1) / OFF command.

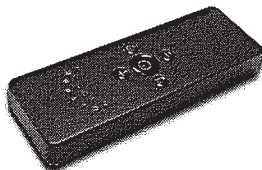
— : Reduce speed.

⏮ : Increase speed.

⌚ : 10-minute timer.

INITIAL OPERATING CONDITION

The manufacturer supplies the radio control unit ready to be used with codes preset in the Factory



OPERATION MODE

Standard configuration:

Standard configuration requires all “cooker hoods - radio control - system” to be provided with the same transmission code. In the event two cooker hoods - radio control system are installed in the same room or nearby, each system may affect the operation of the another. Therefore, the code of one radio control system must be changed.

Generating a new transmission code:

The radio control system is provided with preset codes. Should new codes be required, proceed as follows: Press simultaneously buttons:



for two seconds. When Leds light on, press buttons:




(within 5 seconds). Leds flashing 3 times indicate the procedure is completed.

WARNING! This operation deletes permanently the preset codes.

Learning the new transmission code:

Once the transmission code is changed in the radio control unit, the electronic central unit of the cooker hood must be made to set the new code in the following way:

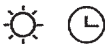
Press the main power-off button of the hood fig. 15 and then restore power to the electronic control unit. Within the next 15 seconds, press the Light Button  to synchronise the central unit with the code.

Reset of the Factory configuration:

To restore the Factory configuration, follow the procedure described below: press simultaneously buttons:



for 2 seconds. When Leds light on, press buttons:



(within 5 seconds). Leds flashing 6 times indicate the procedure is completed.

WARNING! This operation deletes permanently the preset codes.

Emergency button:

In the event that the radio control does not work, use the emergency button to switch the appliance off. After any necessary repairs have been performed, reset the emergency button.

WARNING

The battery should be replaced every year to guarantee the optimal range of the transmitter.

To replace the exhausted battery, take the plastic lid off, remove the battery and replace it with a new one, observing the correct battery polarities.

Used batteries should be discarded in special collection bins.

The below product:

RC001 Radiio Controll

complies with the specifications set out in the R&TTE Directive 99/5/EC.



WARNING

Any adjustments or modifications which have not been expressly approved by the holder of the legal conformity certificate may invalidate the user's rights relating to the operation of the device.

Rev. 0 26/08/14

The products are endowed with an electronic device which allows the automatic switching off after 4 hours working from the last operation.

TIMING

As a result of the new EU65 "Energy label" and EU66 " Ecodesign" regulations issued by the European Commission, which came into force as from January 1st, 2015 , our products have been adapted to comply with these new requirements.

All of the models complying with the energy label requirements, are equipped with new electronics including a timer device for suction speeds control, when the air capacity exceeds $650\text{m}^3/\text{h}$.

Internal motor models, with maximum air capacity higher than $650\text{m}^3/\text{h}$, are equipped with a timer device that automatically switches the suction speed from 4th to 3rd speed, after 5 minutes operation.

External motor models are equipped with remote motors that , as for internal motor versions, include a timer device that switches down the suction speed when it exceeds $650\text{m}^3/\text{h}$. (See External Motors Instructions).

Remote motors, whose air capacity exceeds $650\text{m}^3/\text{h}$ at both 4th and 3rd speed, will have the following by default timer control functions: The suction speed is automatically switched from 4th to 2nd speed, after 6 minutes operation.

If the appliance is working at 3rd speed, it is automatically switched to 2nd speed, after 7 minutes operation. Operation speeds can also be changed during operation.

The energy consumption of the appliance in stand - by mode is lower than 0.5W.

MAINTENANCE

An accurate maintenance guarantees good functioning and long-lasting performance.

Particular care is due to the grease filter.

The grease filter needs cleaning by regular hand-washing or in dishwashers, every two months at least, or depending on its use.

If the appliance is used in the filtering version, the activated charcoal filter needs to be replaced periodically.

Special attention shall be paid to the grease filters: after 30 hour operation, the push-button panel will signal the grease filters saturation through the flashing of all the keys. To reset, please push the reset key .

The grease filters are fixed by means of magnets and can be removed by simply pulling them towards you, when the suctioning panel is open. (fig.11).

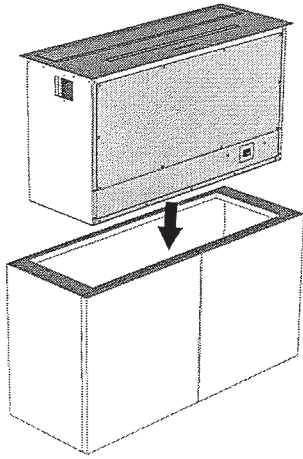
To remove the charcoal filters, which are used only when the appliance works in recycling mode, you need to remove the grease filters at first and then you can remove them, as they are fixed directly on the grease filter, as shown in fig. 12.

Tepid water and neutral detergents are recommended to clean the appliance, while abrasive products should be avoided.

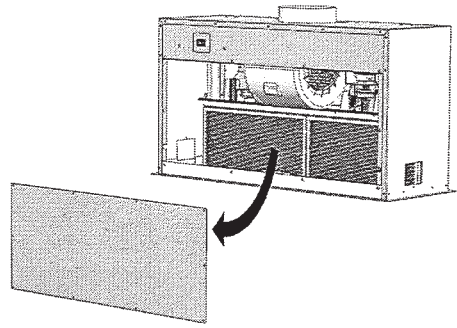
The LED lamp must be removed from the lower part of the appliance (Fig. 13).

It with an original spare part and replace put the removed components back into place.

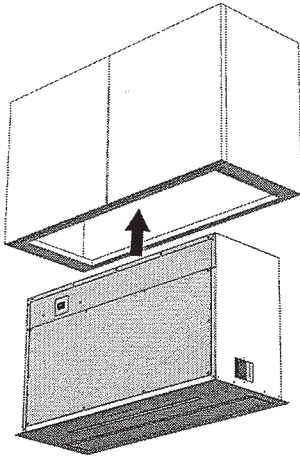
The power cord shall be replaced by authorized personnel only.



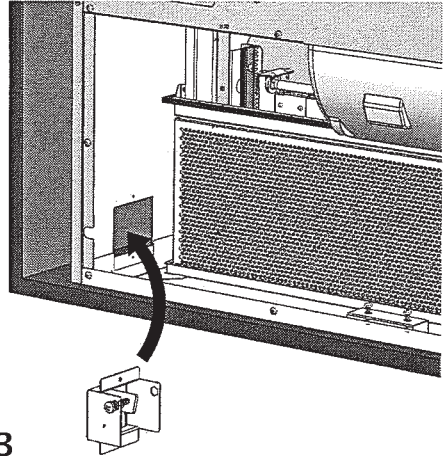
A



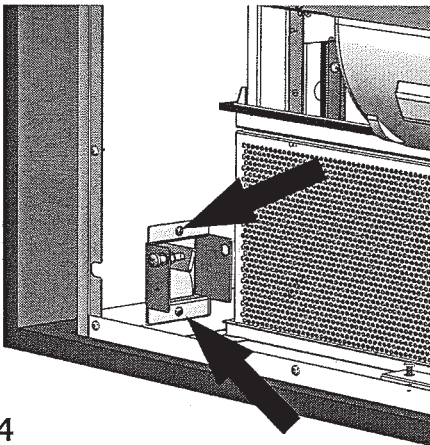
1



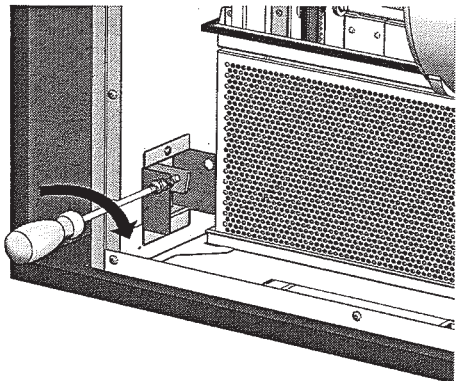
2



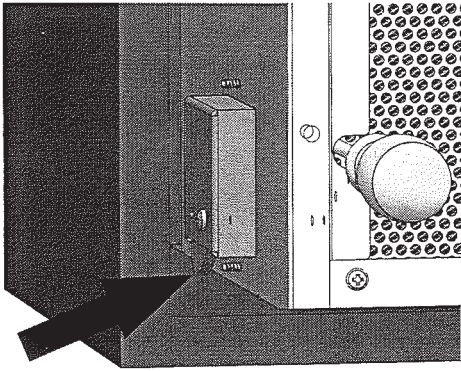
3



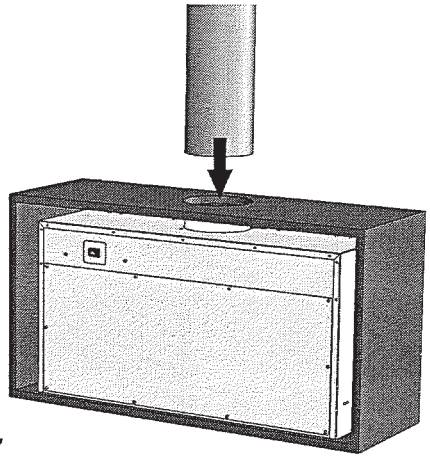
4



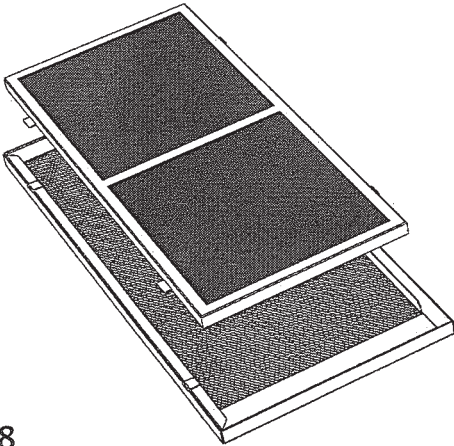
5



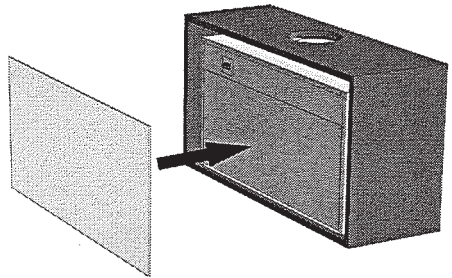
6



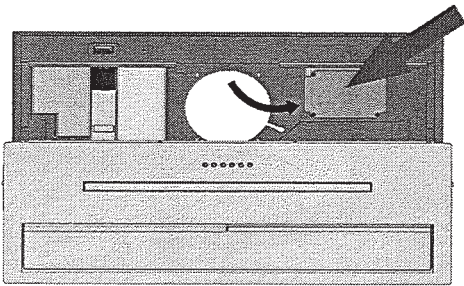
7



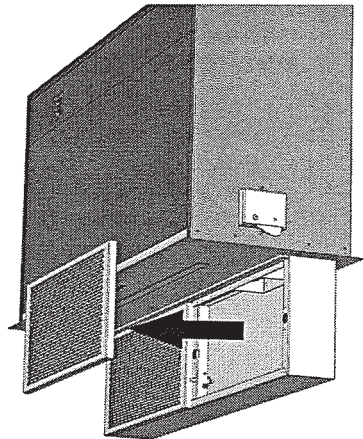
8



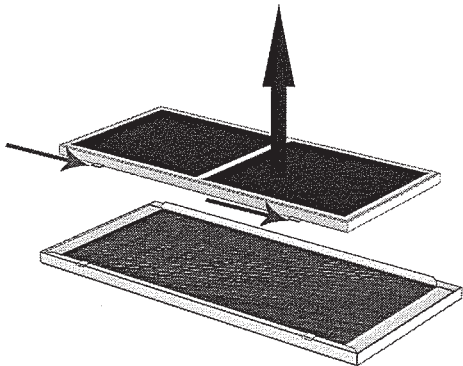
9



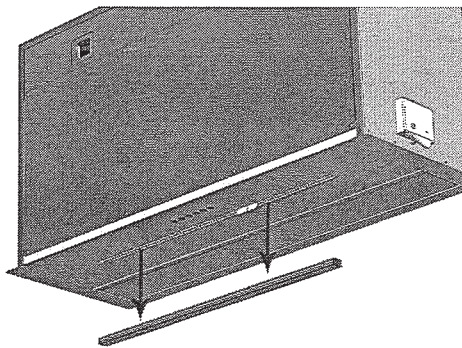
10



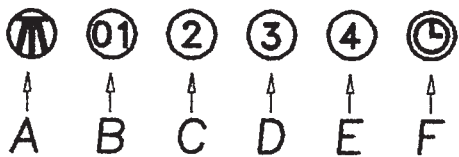
11



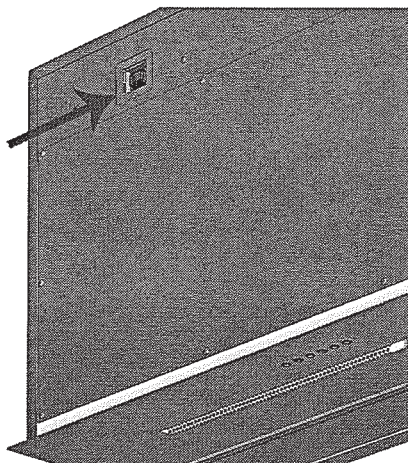
12



13



14



15



16

