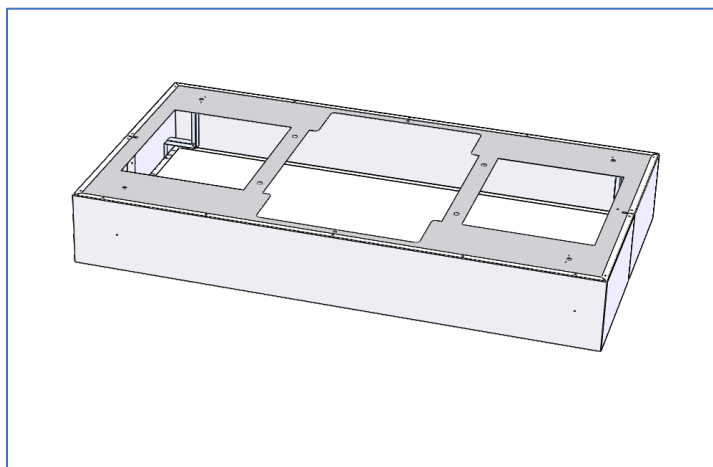
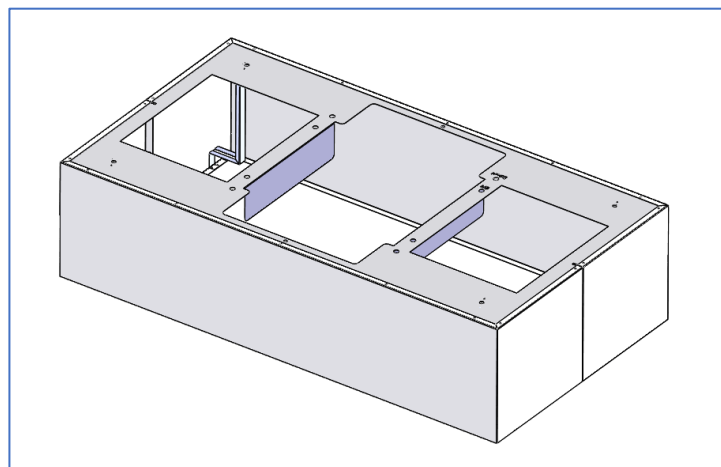


Instruction for installation of MOUNT KIT FOR SLT971



h. 170mm

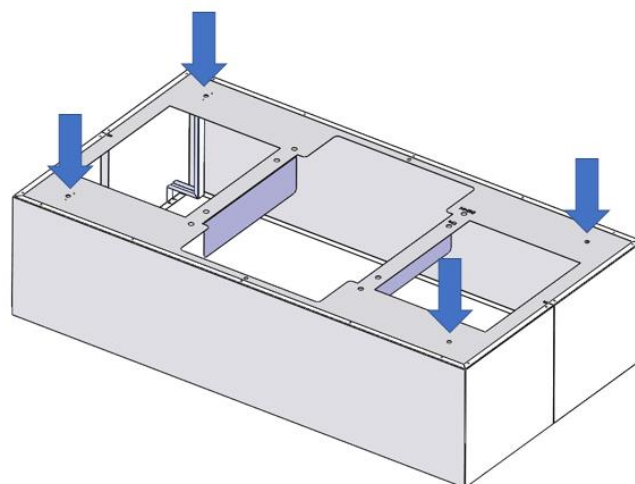
For SLT971 externa motor only



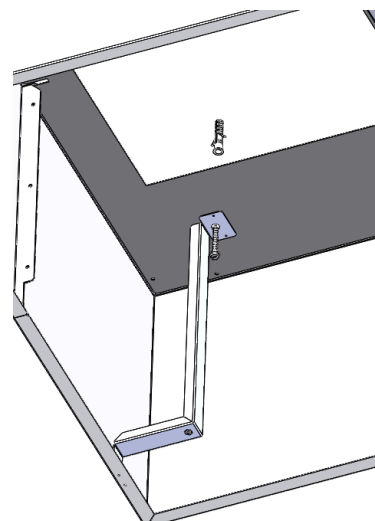
h. 300mm

For SLT971 externa motor and BRHM version

- 1.** *Position the mount kit to the ceiling and mark the perimeter holes for installation.*

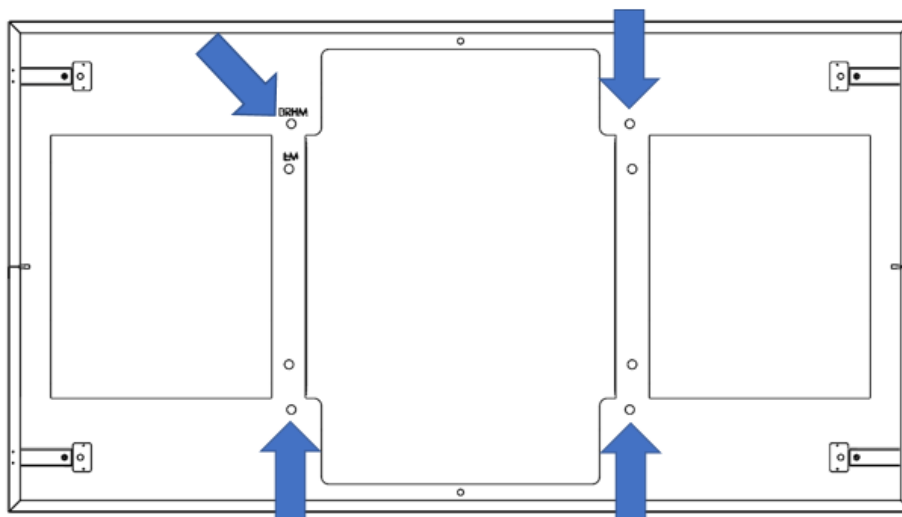


- 2.** *drill the holes using an 8 mm diameter drill bit then insert the plugs supplied and install the ceiling mount kit.*

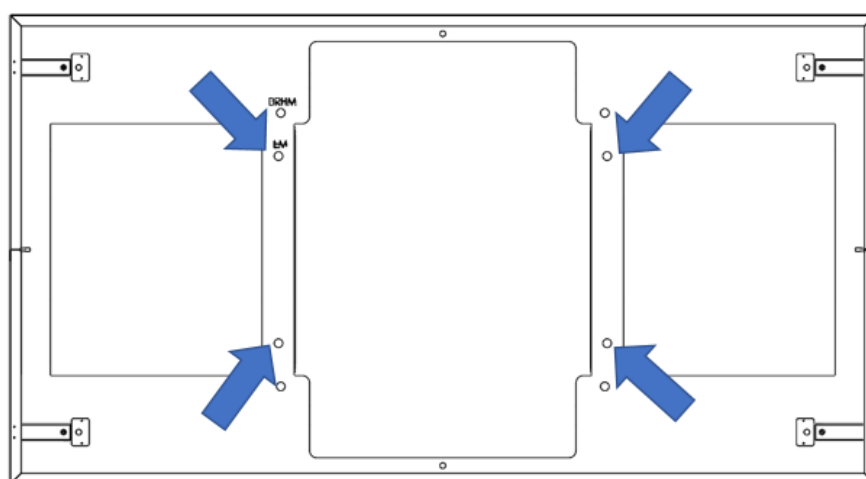


3. After installing the mount kit, proceed by making the holes to install the hood.

These holes must be made in correspondence with the references in the mount kit.



BRHM



EXTERNAL MOTOR

4. Proceed by installing the hood as indicated in the user manual. Before inserting the product in its seat, make the electrical connection and connect the ducting for the smoke outlet.

